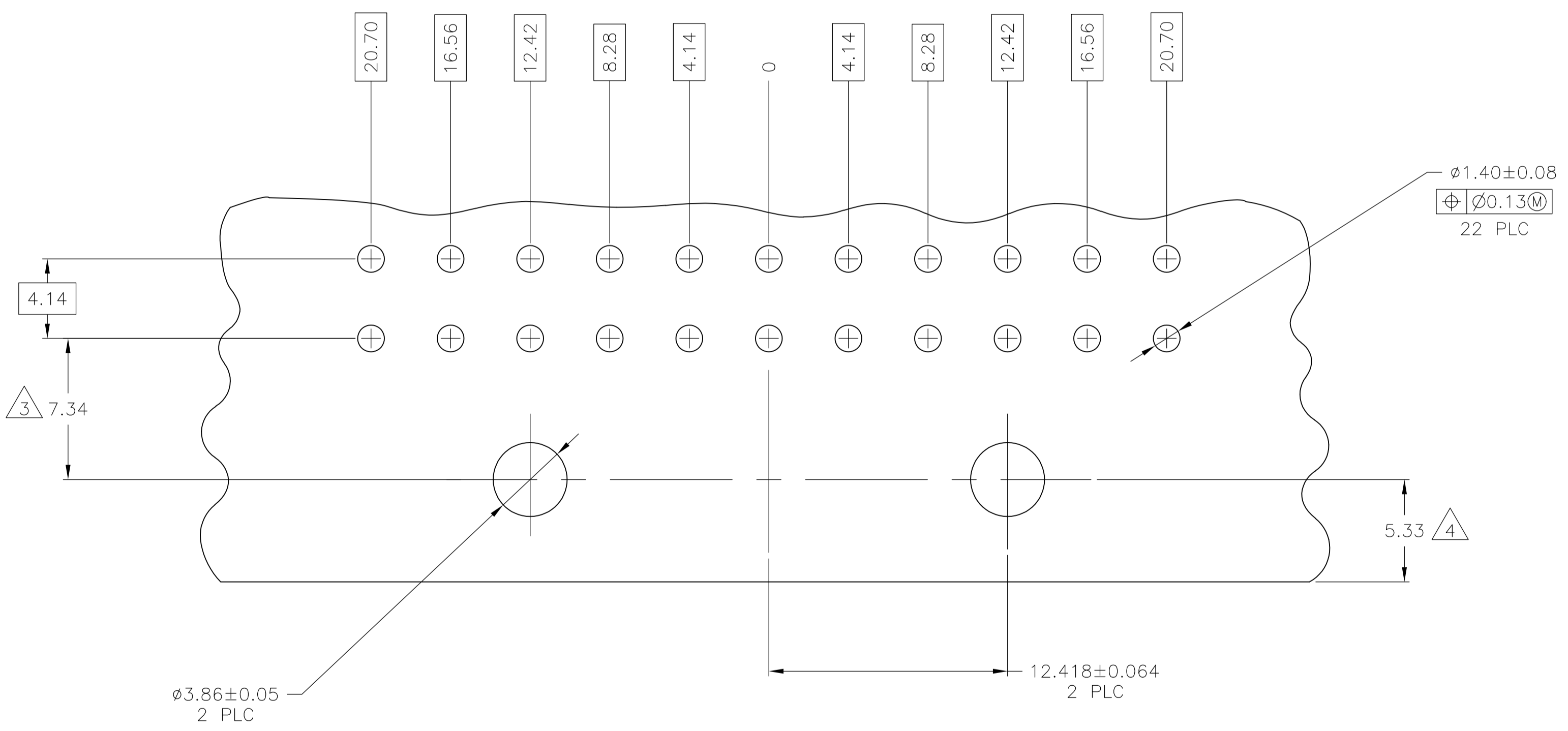
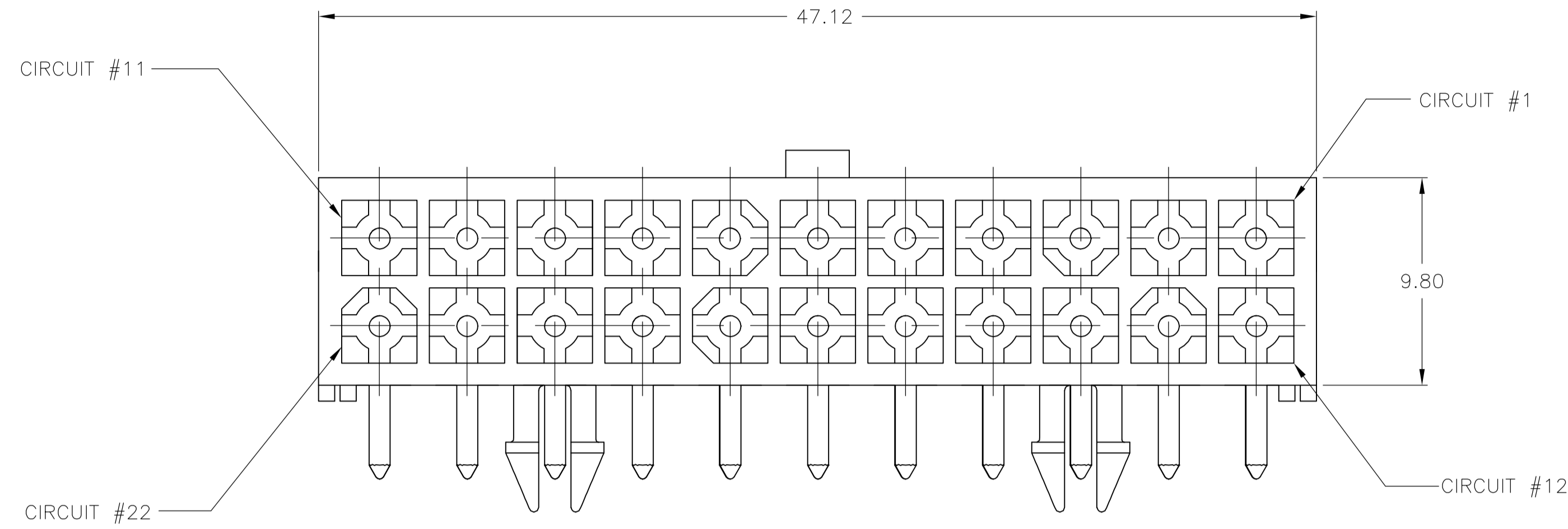
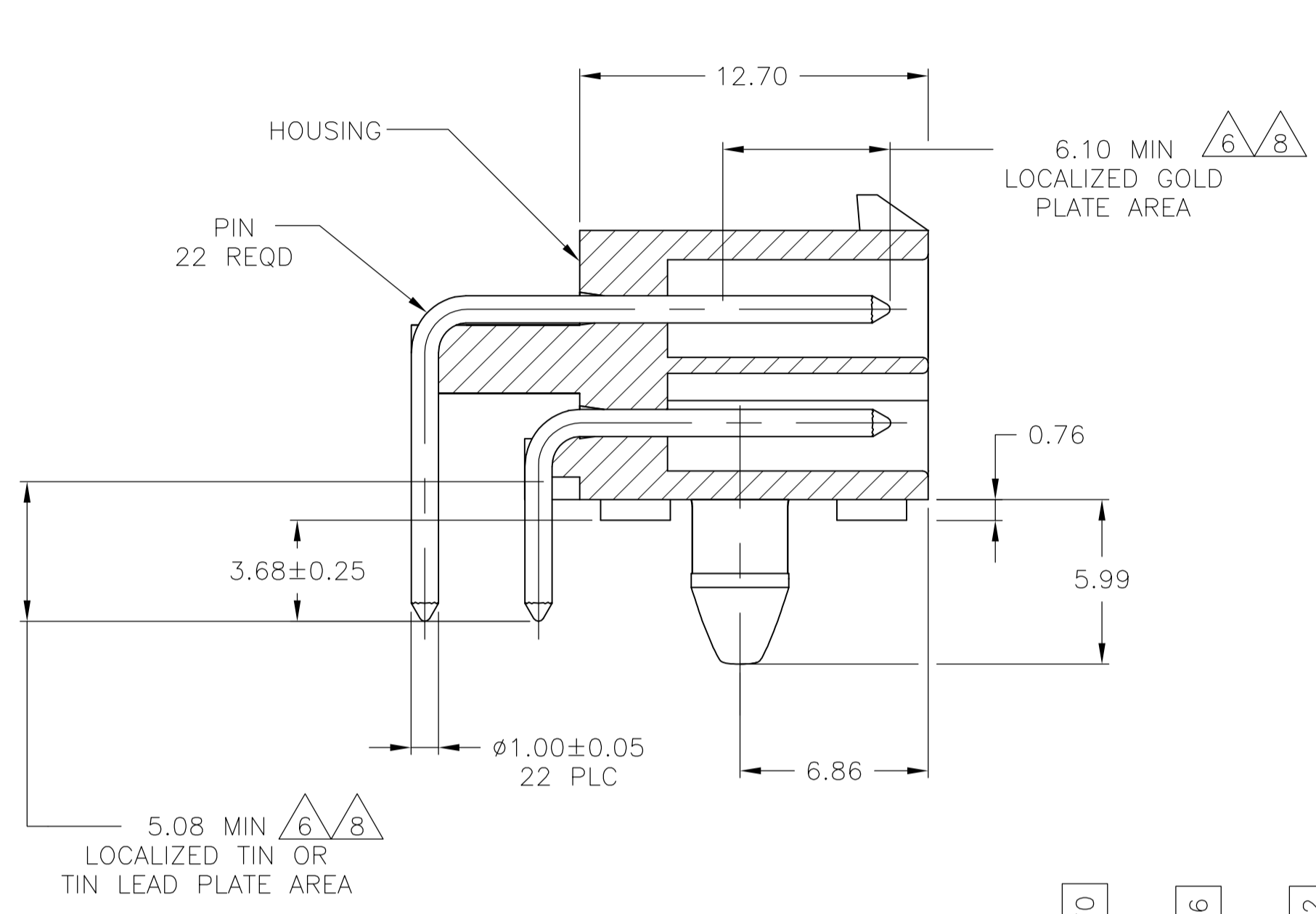


LOC	DIST	REVISIONS			
P	LTR	DESCRIPTION	DATE	DN	APVD
C		REVISED PER ECR-15-010337	24JUL2015	RK	SC

- PINS TO COMPLY WITH AMP SOLDERABILITY SPEC 109-11-3.
- MATES WITH PLUG P/N 770586-1.
- COORDINATE DIMENSION APPLIES FROM CENTER OF ACTUAL FEATURE.
- RECOMMENDED FOR EDGE MOUNTING.
- 0.00381 MIN MATTE TIN LEAD PLATE OVER 0.00127 MIN NICKEL.
- 0.00076 MIN GOLD PLATE IN THE LOCALIZED GOLD PLATE AREA, 0.00381 MATTE TIN LEAD IN THE LOCALIZED PLATE AREA, BOTH OVER 0.00127 MIN NICKEL.
- 0.00381 MIN MATTE TIN PLATE OVER 0.00127 MIN NICKEL.
- 0.00076 MIN GOLD PLATE IN THE LOCALIZED GOLD PLATE AREA, 0.00381 MIN MATTE TIN IN THE LOCALIZED TIN PLATE AREA, BOTH OVER 0.00127 MIN NICKEL.



RECOMMENDED MOUNTING HOLE PATTERN FOR 1.57 THICK P.C. BOARD

1.00	.039	6.86	.270	-	-
0.76	.030	6.10	.240	47.12	1.855
0.25	.010	5.99	.236	20.70	.815
0.13	.005	5.33	.210	16.56	.652
0.08	.003	5.08	.200	12.70	.500
0.064	.0025	4.14	.163	12.42	.489
0.05	.002	3.86	.152	12.418	.4889
0.00381	0.00150	3.68	.145	9.80	.386
0.00127	0.00050	1.57	.062	8.28	.326
0.00076	0.00030	1.40	.055	7.34	.289
MM	IN	MM	IN	MM	IN

CONVERSION TABLE

BRASS	△8	NYLON, UL94V-0	WHITE	1-794107-1
BRASS	△7	NYLON, UL94V-0	WHITE	1-794107-0
BRASS	GOLD △6	NYLON, UL94V-0	WHITE	794107-2
BRASS	TIN LEAD △5	NYLON, UL94V-0	WHITE	794107-1
MATERIAL	FINISH	MATERIAL	COLOR	PART NO
PIN		HOUSING		
THIS DRAWING IS A CONTROLLED DOCUMENT.		DIN K WHITAKER 02APR96 CHK R SWING 02APR96 APVD R ORSTAD 02APR96 NAME:		
DIMENSIONS: mm		TOLERANCES UNLESS OTHERWISE SPECIFIED: 0 PLC ± - 1 PLC ± - 2 PLC ± 0.13 3 PLC ± - 4 PLC ± - ANGLES ± -		
MATERIAL SEE TABLE		FINISH SEE TABLE WEIGHT - SIZE: A1 CASE CODE: 00779 DRAWING NO: 794107 RESTRICTED TO:		
CUSTOMER DRAWING		SCALE: 5:1 SHEET: 1 OF 1 REV: C		

X-ON Electronics

Largest Supplier of Electrical and Electronic Components

Click to view similar products for [Pin & Socket Connectors](#) category:

Click to view products by [TE Connectivity](#) manufacturer:

Other Similar products are found below :

[6450822-1](#) [770392-1](#) [794042-1](#) [796885-1](#) [8-794535-1](#) [881459-2](#) [R929993003](#) [1-350779-3](#) [1403611-1](#) [1-480349-5](#) [1586092-1](#) [1586129-1](#)
[1586487-1](#) [1586681-4](#) [1586700-1](#) [1586065-1](#) [1586077-1](#) [1586368-1](#) [1586380-1](#) [1586680-5](#) [1586681-2](#) [1604996-1](#) [16-06-0038](#) [164164-5](#) [1-](#)
[6609930-1](#) [172296-1](#) [1-794714-6](#) [19-09-2035](#) [1969804-1](#) [200503-1](#) [200788-2](#) [201046-7](#) [202648-4](#) [2029076-2](#) [2029090-4](#) [2029095-4](#) [2-](#)
[66102-6](#) [925061-7](#) [926681-1](#) [293734-4](#) [293737-2](#) [1-765362-4](#) [1-794606-3](#) [1871534-1](#) [1969795-1](#) [1969798-1](#) [1969800-1](#) [200833-4](#)
[2008625-2](#) [2029027-2](#)