


# UMK-BE 11,25

Order No.: 2971535

<http://eshop.phoenixcontact.co.uk/phoenix/treeViewClick.do?UID=2971535>

Electronic board base, plug-in module base element

**Commercial data**

EAN	 4 017918 088392
Pack	10
Customs tariff	85472000
Gross weight in pieces	4.72 g
Country of Origin	PL
Catalog page information	Page 760 (CAT-1-2013)

**Product notes**WEEE/RoHS-compliant since:  
01/01/2003

Please note that the data given here has been taken from the online catalog. For comprehensive information and data, please refer to the user documentation at <http://www.download.phoenixcontact.com>. The General Terms and Conditions of Use apply to Internet downloads.

**Technical data****General**

Housing type	Panel mounting base
Housing material	Polyamide
Color	green

**Dimensions**

Length	77 mm
Width	11.25 mm

#### Technical data

Ambient temperature (operation)	-40 °C ... 105 °C
Inflammability class according to UL 94	V2

#### Certificates



Certification UL Recognized

Certifications applied for:

Certification Ex:

---

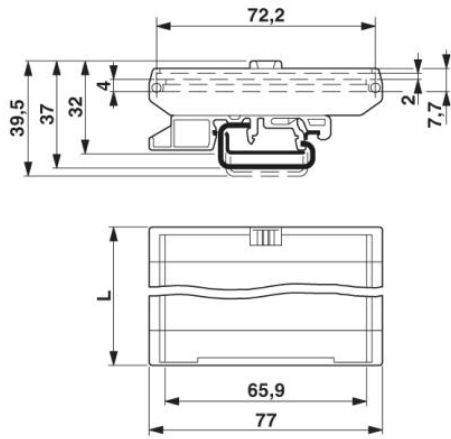
#### Accessories

Item	Designation	Description
<b>Assembly</b>		
2976077	UMK-BF	Mounting flange, for mounting directly on the wall
<b>General</b>		
2970028	UMK-BE 22,5	Electronic board base, plug-in module base element
2970015	UMK-BE 45	Electronic board base, plug-in module base element
2970031	UMK-FE	Foot element, for mounting on DIN rail NS 32 or DIN rail NS 35/7.5, can be inserted between base and side element

## Drawings

### Dimensioned drawing

---



**Address**

PHOENIX CONTACT Ltd  
Halesfield 13  
Telford / Shropshire / TF7 4PG,England  
Phone 01952 681 700  
Fax 01952 681 799  
<http://www.phoenixcontact.co.uk>



Phoenix Contact Ltd.  
Technical modifications reserved;

## X-ON Electronics

Largest Supplier of Electrical and Electronic Components

*Click to view similar products for [Relay Sockets & Hardware](#) category:*

*Click to view products by [Phoenix Contact](#) manufacturer:*

Other Similar products are found below :

[7-1393143-3](#) [7-1616347-8](#) [7-1616350-5](#) [8-1616360-6](#) [9-1616339-5](#) [9-1616358-1](#) [9-1616359-7](#) [9-1616360-2](#) [PLC-10](#) [PT08QN](#) [PT 1/8 D =](#)  
[3.2](#) [12082001](#) [R99-11 FOR MY\(NAMEPLATE\)](#) [RES100K](#) [1393824-3](#) [1415526-1](#) [1419106-5](#) [1423683-1](#) [1415037-1](#) [14486001](#) [1423685-1](#)  
[MS-24H](#) [16-1328](#) [1616339-8](#) [MT78N60](#) [17540001](#) [20584002](#) [20C419](#) [2-1393102-4](#) [2-1419106-9](#) [2-1608090-1](#) [P70A AC100/110](#) [PB-4H](#)  
[21B212](#) [RSE120027](#) [9-1616337-0](#) [9-1616337-6](#) [9-1616358-3](#) [27E1038](#) [27E448](#) [S82Y-RN](#) [2944533](#) [LMC-1](#) [16-1340](#) [16154040](#) [1618065-7](#)  
[9P40X1](#) [17891020](#) [17892040](#) [1810DB-SX](#)