

A

B



00-9155-003-001-006

PREFIX

SERIES

NO. OF WAYS

CODE	NO. OF WAYS	QUANTITY PER REEL
003	3	1000
004	4	1000
005	5	1000

STANDARD BATTERY CONNECTOR

CODE	DESCRIPTION
00	STANDARD BATTERY CONNECTOR

CONTACT HEIGHT

CODE	HEIGHT
1	1.20/1.50
2	1.80/2.10
3	2.30/2.60

BRACKET

CODE	DESCRIPTION
00	NO BRACKET
01	WITH BRACKET

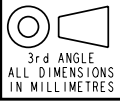
PLATING OPTION

CODE	DESCRIPTION
6	0.4 µm SELECTIVE GOLD, PURE TIN TAIL
8	0.8 µm SELECTIVE GOLD, PURE TIN TAIL

SHEET 1 OF 4

FORM-106-01-056-6 ISS 7

Release No.
History
101056
101283
101271
101964
101987
102055
102069
102211



ELCO
© COPYRIGHT ELCO EUROPE
NOT TO BE DISCLOSED OR COPIED
WITHOUT WRITTEN PERMISSION

Drawn
GKJ
Size
CV

Description
9155 STANDARD - ORDERING CODE
Part Number
00-9155-01_000S

DATE
06-Sept-04
Issue
8

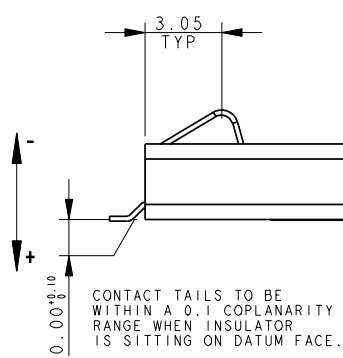
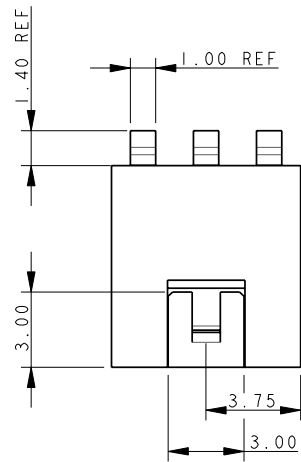
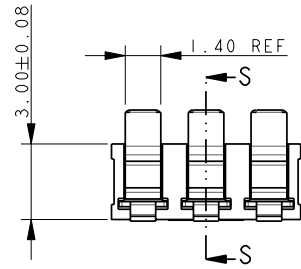
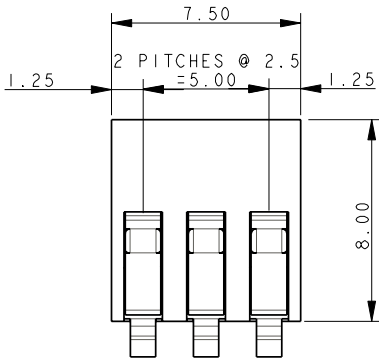
A

B

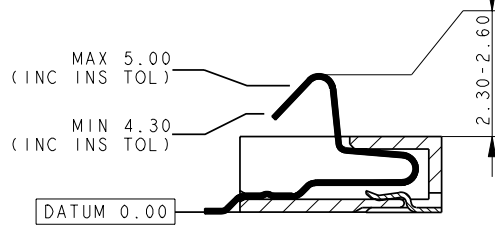
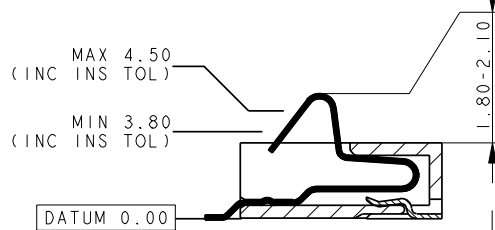
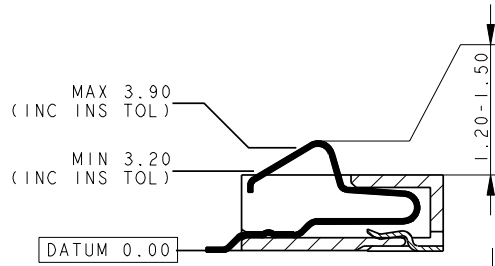
3 WAY BATTERY CONNECTOR



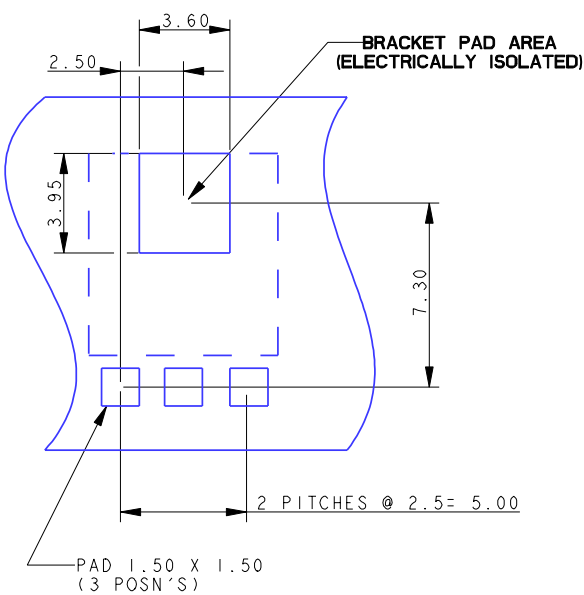
- NOTES:
- FOR MORE INFORMATION REFER TO PRODUCT SPEC 201-01-050.
 - ALL DIMENSIONS SHOWN ARE REFERENCE DIMENSIONS UNLESS TOLERANCED.



MATING CONDITIONS

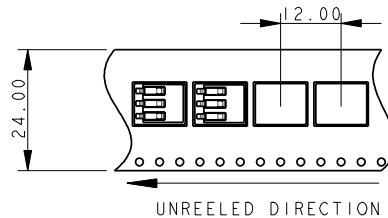
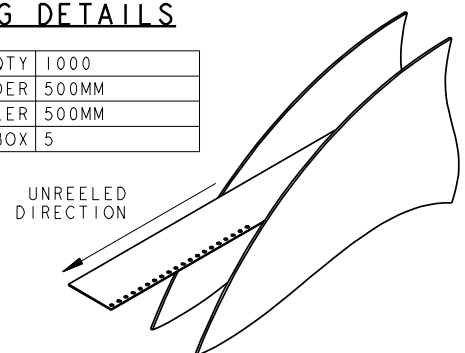


3 WAY PCB BOARD LAYOUT



PACKING DETAILS

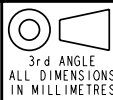
REEL QTY	1000
LEADER	500MM
TRAILER	500MM
REELS PER BOX	5



SHEET 2 TO 4

FORM-106-01-056-6 ISS 7

Release No.
History
101056
101283
101271
101964
101987
102055
102069
102211



ELCO
© COPYRIGHT ELCO EUROPE
NOT TO BE DISCLOSED OR COPIED
WITHOUT WRITTEN PERMISSION

Drawn
GKJ
Size
CV

Description
9155 STANDARD - ORDERING CODE
Part Number
00-9155-01_000S

DATE
06-Sept-04
Issue
8

A

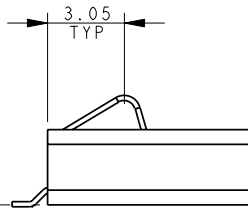
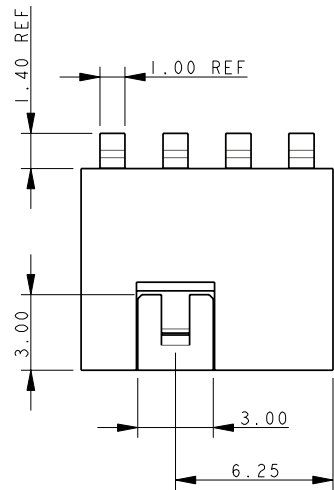
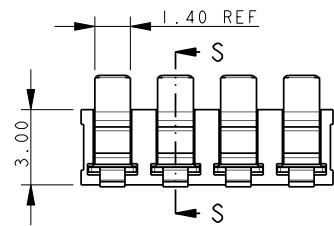
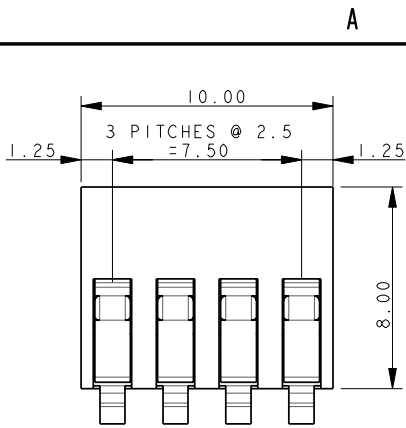
B

4 WAY BATTERY CONNECTOR



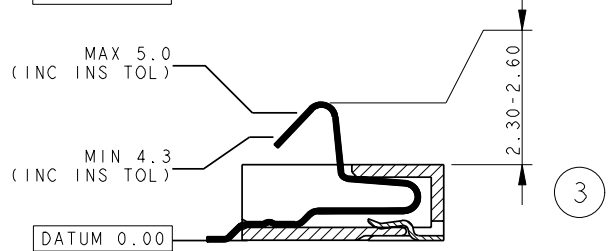
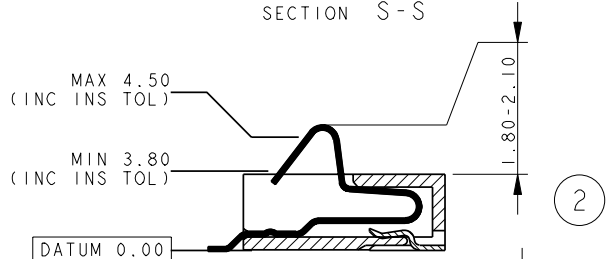
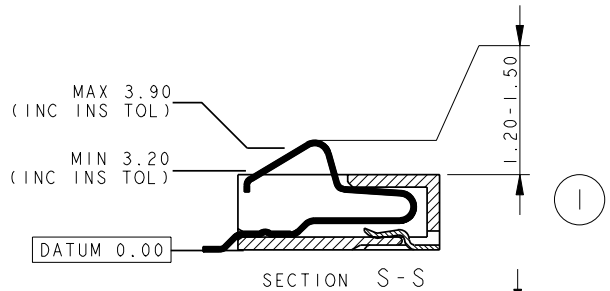
NOTES:

- FOR MORE INFORMATION REFER TO PRODUCT SPEC 201-01-050.
- ALL DIMENSIONS SHOWN ARE REFERENCE DIMENSIONS UNLESS TOLERANCED.

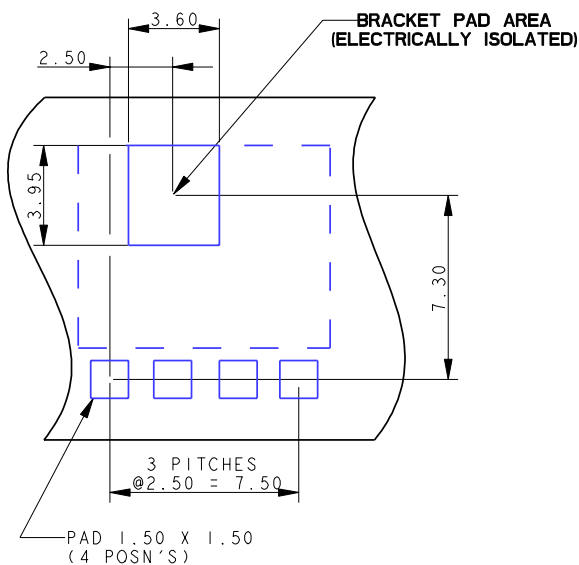


CONTACT TAILS TO BE WITHIN A 0.1 COPLANARITY RANGE WHEN INSULATOR IS SITTING ON DATUM FACE.

MATING CONDITIONS

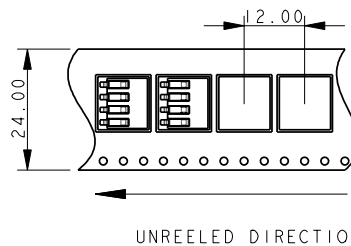
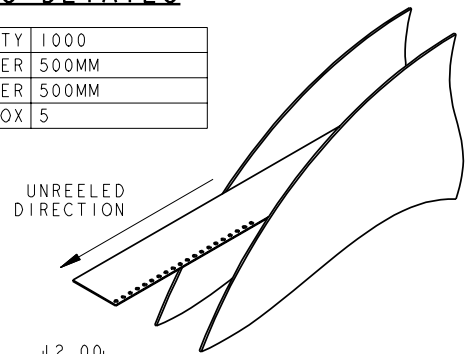


4 WAY BOARD LAYOUT



PACKING DETAILS

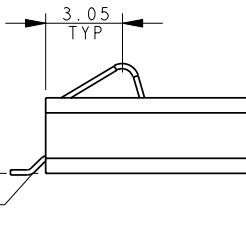
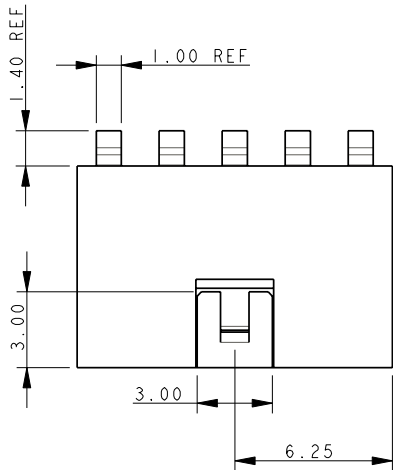
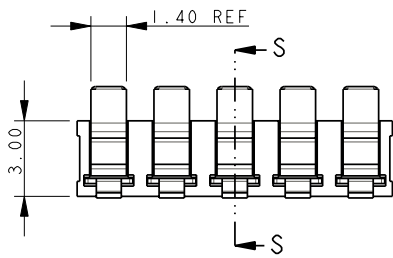
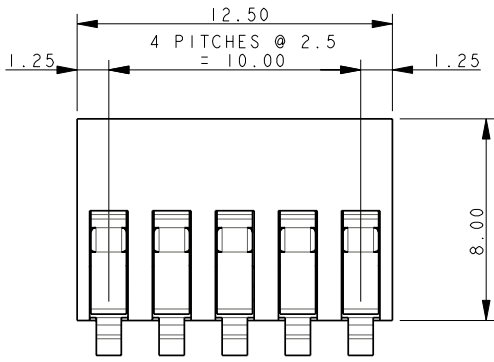
REEL QTY	1000
LEADER	500MM
TRAILER	500MM
REELS PER BOX	5



5 WAY BATTERY CONNECTOR

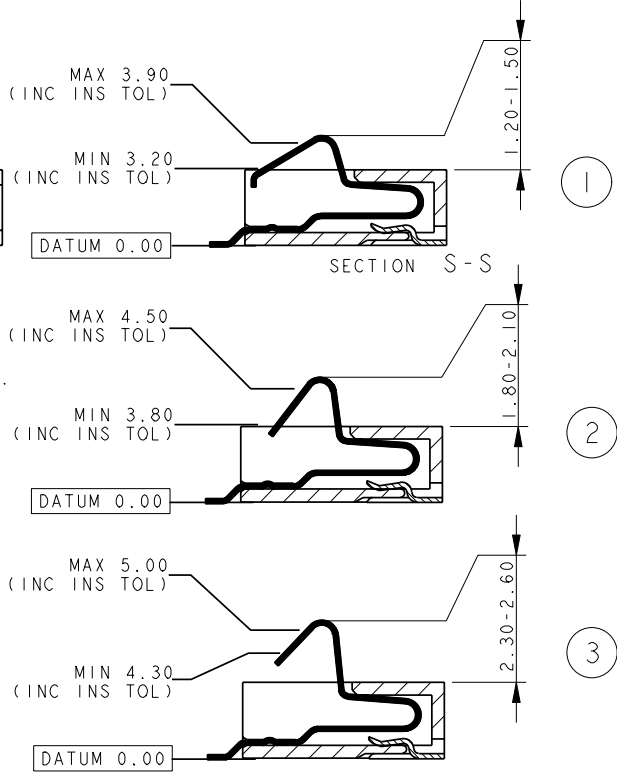


- NOTES:
 1. FOR MORE INFORMATION REFER TO PRODUCT SPEC 201-01-050.
 2. ALL DIMENSIONS SHOWN ARE REFERENCE DIMENSIONS UNLESS TOLERANCED.

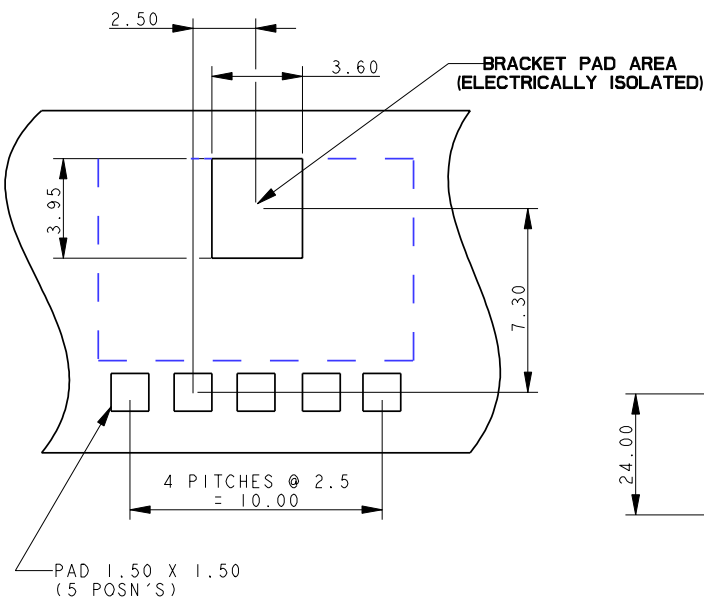


CONTACT TAILS TO BE WITHIN A 0.1 COPLANARITY RANGE WHEN INSULATOR IS SITTING ON DATUM FACE.

MATING CONDITIONS



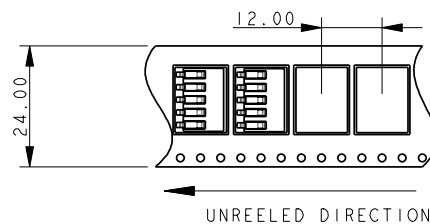
5 WAY PCB BOARD LAYOUT



PACKING DETAILS

REEL QTY	1000
LEADER	500MM
TRAILER	500MM
REELS PER BOX	5

UNREELED DIRECTION



X-ON Electronics

Largest Supplier of Electrical and Electronic Components

Click to view similar products for [avx manufacturer](#):

Other Similar products are found below :

[MD015A222JAB](#) [M39014/220755](#) [VE17M02750K--](#) [CX2016DB16000D0GPSC1](#) [LIFE_SAMP-1A139-159V001](#) [CWR09HC106KBA](#)
[PBRC7.37MR50X000](#) [M39014/22-1137-TUBE](#) [18123A104FAT2A](#) [M39014/220778](#) [009286001203906](#) [M39014/22-1181](#) [F931A227KNC](#)
[F931C227MNC](#) [FFLI6B3007KJE](#) [12102U101JAT2A](#) [KIT5000UZ](#) [KITTYPE1400 LF](#) [LD065A332FAB2A](#) [SA205C393JAA](#)
[308016056000413](#) [SK052C105KAA](#) [SR211A151FAA](#) [F931A226MBA](#) [FFB24I0755K--](#) [CK06BX472K](#) [M39014/05-2731](#) [M39014/220476](#)
[CWR29JC476KCHC](#) [TAJB225M035R](#) [TAJC107K006RNJ](#) [TAJD226K035RNJV](#) [TCH9107M035W0055U](#) [TLCU336M004XTA](#)
[TPSA106K016R1000](#) [TPSD337K010R0150](#) [TPSE226K035R0200](#) [TWAE108K030SBEZ0000](#) [TWAE757M060CBEZ0700](#)
[KC3225K3.68640C1GE00](#) [KC7050K50.0000C10E00](#) [069296700101000](#) [07016-092MCCA](#) [TBJV157K016LBLC0024](#) [TPSE336K035R0250](#)
[TWAD108M050CBEZ0700](#) [CX2520DB16000H0FLJC1](#) [CDR14BP510EJUR](#) [RM055C825KAL360](#) [CCR05CG220FS](#)