



00-9162-006-206-175

PREFIX

SERIES

NUMBER OF CONTACTS

SIM TYPE

CODE	SIM TYPE
20	STANDARD SMT FOOT SLIDE IN SIM READER
21	NARROW SMT FOOT SLIDE IN SIM READER

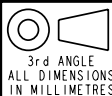
PLATING OPTIONS

CODE	CONTACT PLATING
6	SELECTIVE GOLD, PURE TIN TAILS

CONNECTOR HEIGHT

CODE	CONNECTOR HEIGHT	SHEET NUMBER
175	1.750mm	SHEET 2, 3

ELCO EUROPE (A DIVISION OF AVX LTD.) CONFIDENTIAL PROPRIETARY
 THE DRAWING ON THIS PRINT AND INFORMATION THEREWITH ARE
 PROPRIETARY TO ELCO EUROPE (A DIVISION OF AVX LTD.) AND
 SHALL NOT BE USED OR DISCLOSED IN WHOLE OR IN PART
 WITHOUT ELCO EUROPE'S WRITTEN CONSENT.



© COPYRIGHT ELCO EUROPE
 NOT TO BE DISCLOSED OR COPIED
 WITHOUT WRITTEN PERMISSION

Drawn
DMCI

Size
CV

Description
ORDERING CODE - SLIDE IN SIM READER

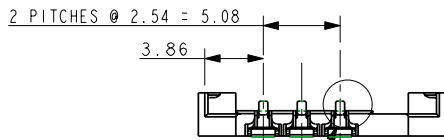
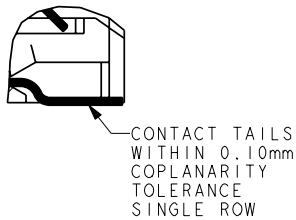
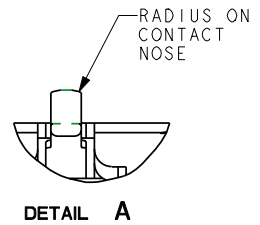
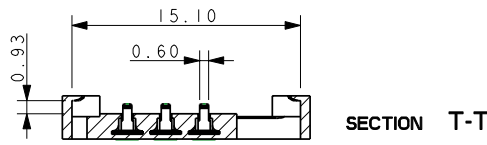
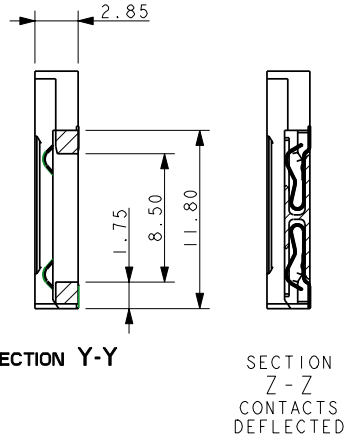
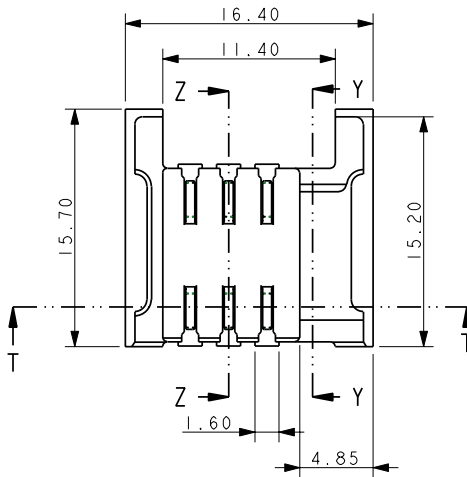
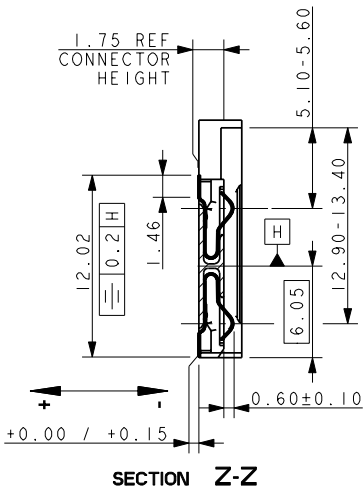
Part Number
00-9162-01-200S SHEET 1 OF 3

DATE
15-Oct-04

Issue
14

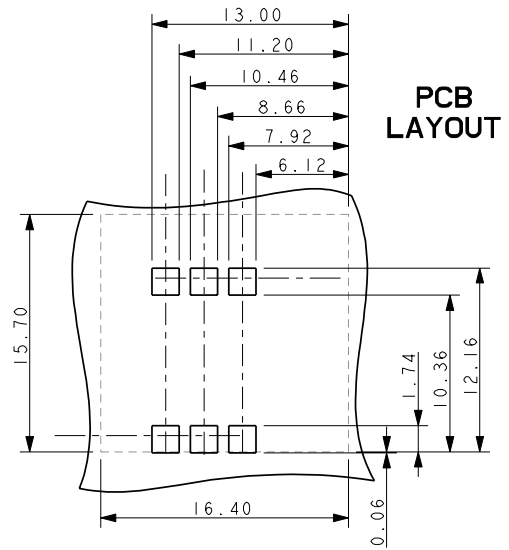
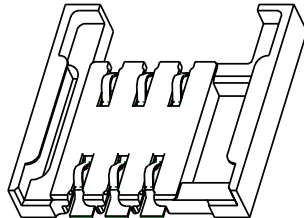
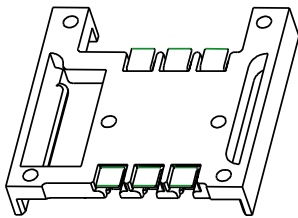
FORM-106-01-056-6 ISS 7
 Release No.
 History
 101673
 101733
 101745
 101759
 101831
 102071
 102211
 102280

NARROW SMT FOOT VERSION



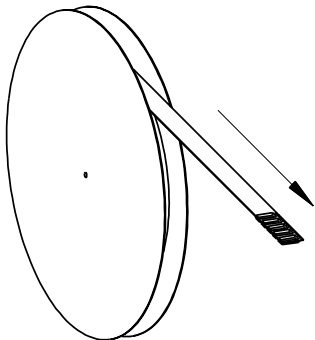
SEE DETAIL A

PART SECTION Z-Z ROTATED THRO' 90°



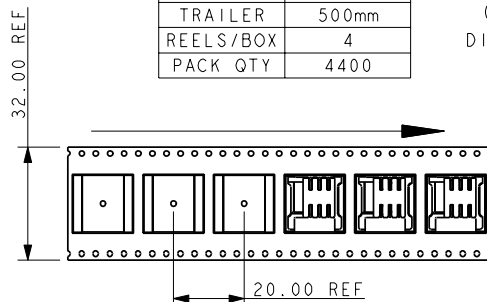
NOTES

1. SALES DRAWING FOR SLIDE IN SIM READER.
2. FOR PRODUCT SPECIFICATION REFER TO ELCO SPEC: 201-01-085.
3. GENERAL TOLERANCE ±0.20 (UNLESS OTHERWISE STATED).
4. INSULATOR MATERIAL NYLON GLASS-FILLED.
5. CONTACT MATERIAL COPPER ALLOY, SIM CONTACTS NOSE PLATED WITH GOLD. SMT PADS PLATED WITH TIN/LEAD.



PACKING DETAILS	
REEL QTY	1100
LEADER	500mm
TRAILER	500mm
REELS/BOX	4
PACK QTY	4400

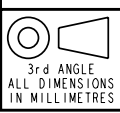
PACKING DETAILS
REEL SIZE 380mm DIA.
(SHOWING USER DIRECTION OF FEED)



FORM-106-01-056-6 ISS 7

ELCO EUROPE (A DIVISION OF AVX LTD.) CONFIDENTIAL PROPRIETARY
THE DRAWING ON THIS PRINT AND INFORMATION THEREWITH ARE PROPRIETARY TO ELCO EUROPE (A DIVISION OF AVX LTD.) AND SHALL NOT BE USED OR DISCLOSED IN WHOLE OR IN PART WITHOUT ELCO EUROPE'S WRITTEN CONSENT.

Release No.	
History	
101673	
101733	
101745	
101759	
101831	
102071	
102211	
102280	



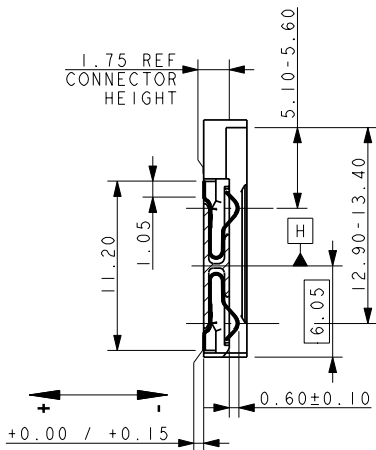
ELCO
© COPYRIGHT ELCO EUROPE
NOT TO BE DISCLOSED OR COPIED
WITHOUT WRITTEN PERMISSION

Drawn
DMCI
Size
CV

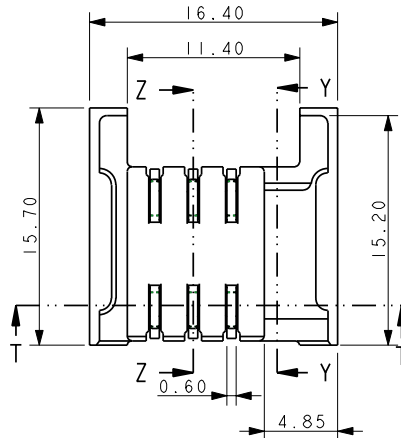
Description
SLIDE IN SIM READER
Part Number
00-9162-01-200S SHEET 2 OF 3

DATE
15-Oct-04
Issue
14

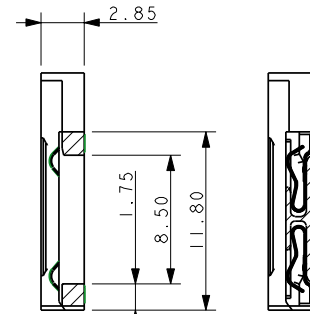
WIDE SMT FOOT VERSION



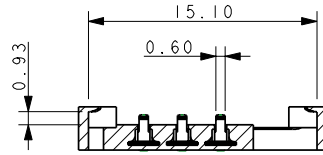
SECTION Z-Z



SECTION Y-Y

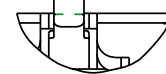


SECTION Z-Z CONTACTS DEFLECTED

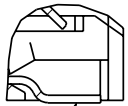


SECTION T-T

RADIUS ON CONTACT NOSE

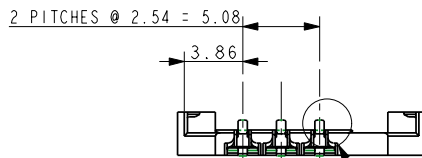


DETAIL A

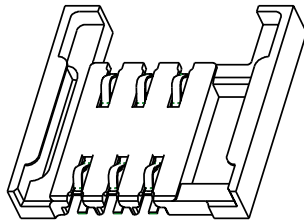
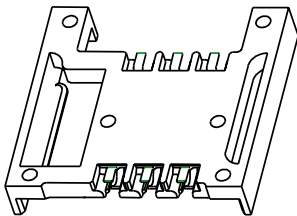


CONTACT TAILS WITHIN 0.10mm COPLANARITY TOLERANCE SINGLE ROW

PART SECTION Z-Z ROTATED THRO' 90°



PCB LAYOUT

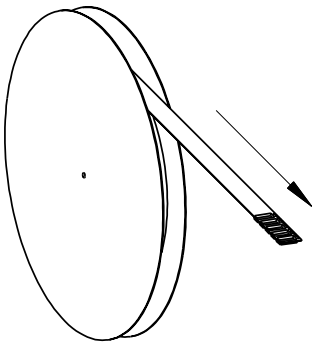


NOTES

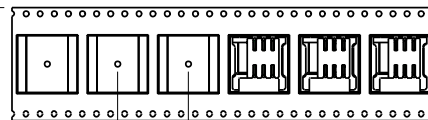
1. SALES DRAWING FOR SLIDE IN SIM READER.
2. FOR PRODUCT SPECIFICATION REFER TO ELCO SPEC: 201-01-085.
3. GENERAL TOLERANCE ± 0.20 (UNLESS OTHERWISE STATED).
4. INSULATOR MATERIAL NYLON GLASS-FILLED.
5. CONTACT MATERIAL COPPER ALLOY, SIM CONTACTS NOSE PLATED WITH GOLD, SMT PADS PLATED WITH TIN/LEAD.

PACKING DETAILS	
REEL QTY	1100
LEADER	500mm
TRAILER	500mm
REELS/BOX	4
PACK QTY	4400

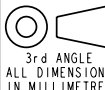
PACKING DETAILS
REEL SIZE 380mm DIA.
(SHOWING USER DIRECTION OF FEED)



32.00 REF



20.00 REF



3rd ANGLE
ALL DIMENSIONS IN MILLIMETRES

ELCO

© COPYRIGHT ELCO EUROPE
NOT TO BE DISCLOSED OR COPIED WITHOUT WRITTEN PERMISSION

Drawn DMCI

Size CV

Description
SLIDE IN SIM READER

Part Number
00-9162-01-200S

SHEET 3 OF 3

DATE
15-Oct-04

Issue
14



FORM-106-01-056-6 ISS 7

ELCO EUROPE (A DIVISION OF AVX LTD.) CONFIDENTIAL PROPRIETARY
THE DRAWING ON THIS PRINT AND INFORMATION THEREWITH ARE PROPRIETARY TO ELCO EUROPE (A DIVISION OF AVX LTD.) AND SHALL NOT BE USED OR DISCLOSED IN WHOLE OR IN PART WITHOUT ELCO EUROPE'S WRITTEN CONSENT.

Release No.	
History	
101673	
101733	
101745	
101759	
101831	
102071	
102211	
102280	

A

I

B

X-ON Electronics

Largest Supplier of Electrical and Electronic Components

Click to view similar products for [FFC & FPC Connectors](#) category:

Click to view products by [AVX](#) manufacturer:

Other Similar products are found below :

[HFW11R-1STE1H1LF](#) [FH29B-100S-0.2SHW\(99\)](#) [FA5S008HP1](#) [FH29B-120S-0.2SHW\(99\)](#) [FH29B-80S-0.2SHW\(99\)](#) [FHS-16](#) [FPH-2022G](#)
[52610-1075](#) [52610-1275](#) [52610-1934](#) [XF3M\(1\)-1415-1B-R100](#) [501864-3091-TR225](#) [0525594033](#) [086210010340800](#) [086222026001800](#)
[52271-2869-CUT-TAPE](#) [62674-201121DLF](#) [62684-36210E9ALF](#) [52610-1675](#) [52746-1671-TR250](#) [10051922-2810EHLF](#) [6-520415-9](#)
[BD021-09A-A1-0350-0200-0550-LD](#) [SFV6R-1STE9HLF](#) [XF3M-2915-1B-R100](#) [1658549-1](#) [62674-221121ALF](#) [46214008010800](#)
[046298003000883](#) [151660622](#) [842-816-2630-035](#) [AYF530665TA](#) [AYF351525](#) [046296011930846+](#) [AYF352325A](#) [046254020000800+](#)
[FH19C-13S-0.5SH\(99\)](#) [FH39J-51S-0.3SHW\(99\)](#) [AYF355125A](#) [AYF530365TA](#) [FH29B-44S-0.2SHW\(99\)](#) [SFW5R-2STAE9LF](#) [AYF351125A](#)
[AYF350725A](#) [62684-502100AHLF](#) [FH39-61S-0.3SHW\(99\)](#) [AYF414035A](#) [10064555-172520HLF](#) [AYF212335A](#) [504754-2500](#)