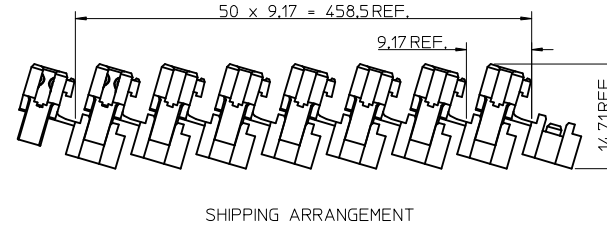
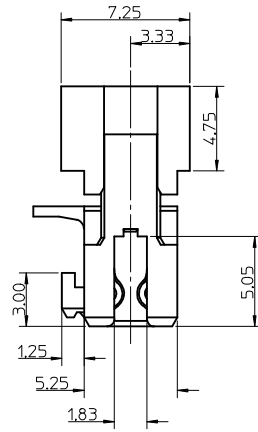
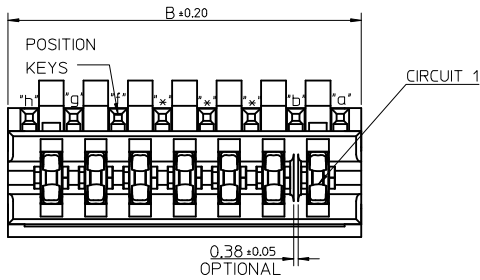
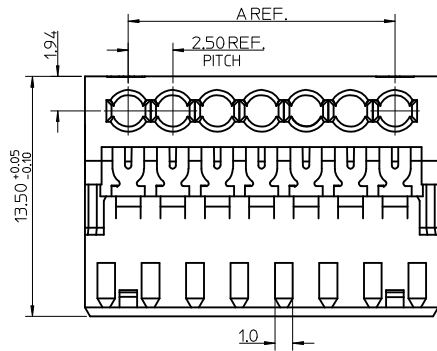
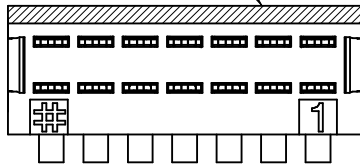


EM-91716-010

POSITION OF COLOUR STRIPE (see note 3)

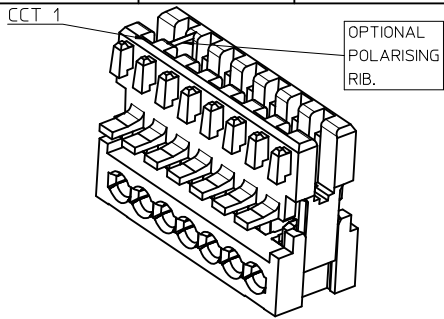


CCT	A	B
2	2.5	7.375
3	5	9.875
4	7.5	12.375
5	10	14.875
6	12.5	17.375
7	15	19.875
8	17.5	22.375
9	20	24.875
10	22.5	27.375
11	25	29.875
12	27.5	32.375
13	30	34.875
14	32.5	37.375
15	35	39.875
16	37.5	42.375
17	40	44.875
18	42.5	47.375
19	45	49.875
20	47.5	52.375

NOTES:

- REFER TO PRODUCT SPECIFICATION: PS-99020-0040.
- MATERIAL: HOUSING - POLYAMIDE 6 (PA6)  
UL94-V2. COLOUR NATURAL.  
TERMINAL: PHOSPHOR BRONZE 0.30 REF. THICK - PLATING  
HOT TIN DIP.
- COLOUR STRIPE IS OPTIONAL. AVAILABLE IN THE FOLLOWING COLOURS: RED, GREEN, BLUE, ORANGE, BROWN & YELLOW. (BLACK SIGNIFIES CUSTOMER SPECIFIC CONFIGURATION).
- REFER TO PACKAGING SPEC (PK-90871-001)
- REFER TO APPLICATION SPEC (AS-99033-0008)
- REFER TO WORK INSTRUCTION W11643.

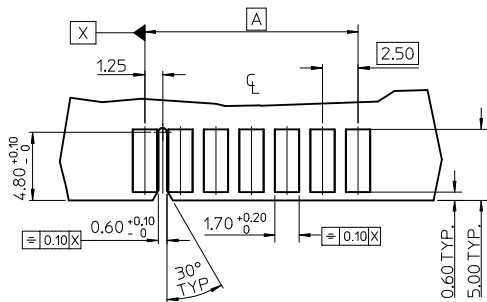
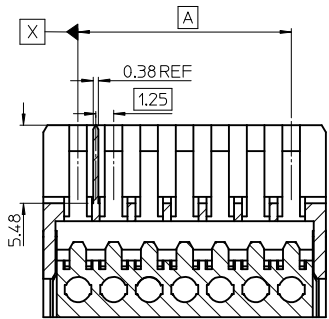
<b>ADDED NEW PART NUMBERS</b> EC NO: ICG2015-1770 DRAWN: J MURPHY 2015/04/09 CHKD: AR APPR: S SHAMAHAN 2015/06/03	QUALITY SYMBOLS ▽=0 ▽=0	GENERAL TOLERANCES (UNLESS SPECIFIED) <table border="1"> <thead> <tr> <th></th> <th>mm</th> <th>INCH</th> </tr> </thead> <tbody> <tr><td>4 PLACES</td><td>± ---</td><td>± ---</td></tr> <tr><td>3 PLACES</td><td>± 0.05</td><td>± ---</td></tr> <tr><td>2 PLACES</td><td>± 0.10</td><td>± ---</td></tr> <tr><td>1 PLACE</td><td>± 0.2</td><td>± ---</td></tr> </tbody> </table> ANGULAR ± 1/2°		mm	INCH	4 PLACES	± ---	± ---	3 PLACES	± 0.05	± ---	2 PLACES	± 0.10	± ---	1 PLACE	± 0.2	± ---	DIMENSION STYLE <b>MM ONLY</b>	SCALE <b>5:1</b>	DESIGN UNITS <b>METRIC</b>	THIRD ANGLE PROJECTION
		mm	INCH																		
	4 PLACES	± ---	± ---																		
	3 PLACES	± 0.05	± ---																		
2 PLACES	± 0.10	± ---																			
1 PLACE	± 0.2	± ---																			
DRAWN BY T T O U R I S H 2007/07/07	DATE 2007/07/07	TITLE <b>APPLI-MATE 2.5 FEMALE G.W.T. 750 VERSION</b>																			
CHECKED BY N M C N A M A R A 2007/07/09	DATE 2007/07/09	<b>MOLEX INCORPORATED</b>																			
APPROVED BY B M A G U I R E 2007/07/09	DATE 2007/07/09	MATERIAL NO. SEE SHEETS 2-14	DOCUMENT NO. SD-93050-001	SHEET NO. 1 OF 15																	
DRAFT WHERE APPLICABLE MUST REMAIN WITHIN DIMENSIONS		THIS DRAWING CONTAINS INFORMATION THAT IS PROPRIETARY TO MOLEX INCORPORATED AND SHOULD NOT BE USED WITHOUT WRITTEN PERMISSION																			



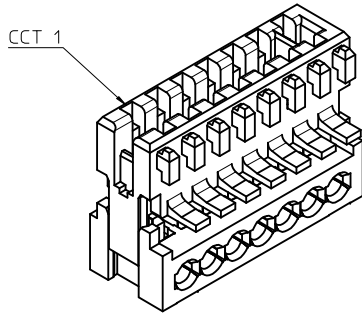
OPTIONAL  
POLARISING  
RIB.

OPEN END WALL OPTION

FIRST END WALL	LAST END WALL
OPEN	OPEN

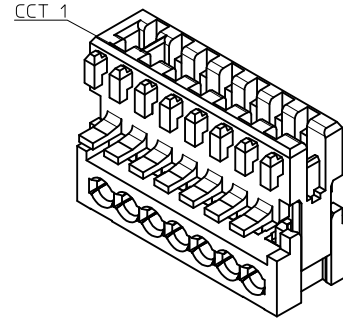
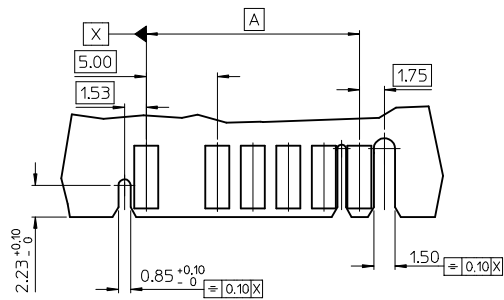
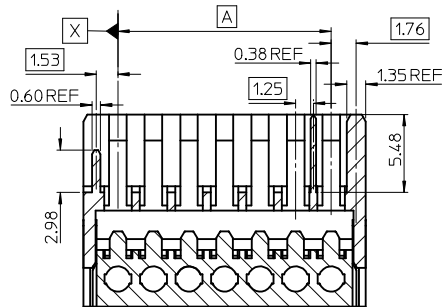


- PCB LAYOUT FOR 7CCT CONNECTOR (WITH OPTIONAL POSITIONAL RIB SLOT BETWEEN CCT 1 & 2)
- RECOMMENDED PCB THICKNESS 1.5±0.14



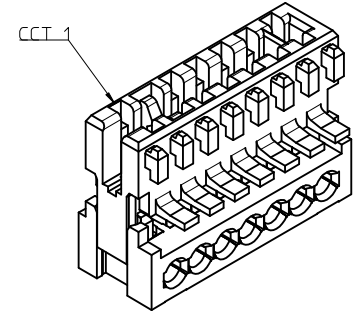
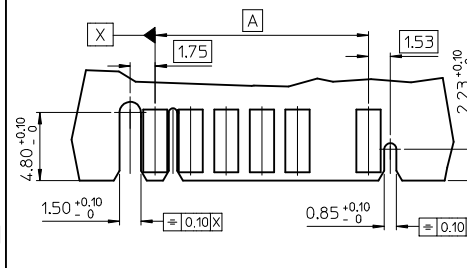
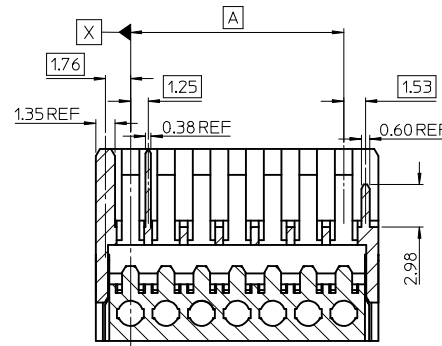
END WALL OPTION A

FIRST END WALL	LAST END WALL
HALF	CLOSED



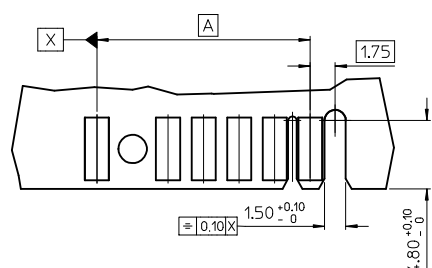
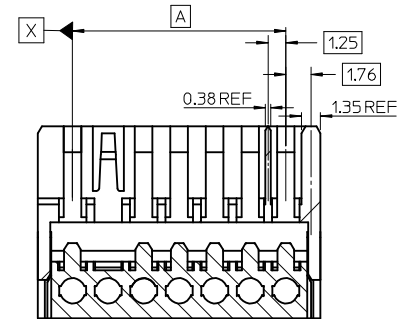
END WALL OPTION B

FIRST END WALL	LAST END WALL
CLOSED	HALF



END WALL OPTION C

FIRST END WALL	LAST END WALL
OPEN	CLOSED



SEE SHEET 1  
EC NO: IPG2015-1770  
DRAWN: J. MURPHY 2015/04/09  
CHKD:  
APPR: MSHAMHAN 2015/06/03

QUALITY SYMBOLS  
▽=0  
▽=0

GENERAL TOLERANCES (UNLESS SPECIFIED)

	mm	INCH
4 PLACES	± ---	± ---
3 PLACES	± 0.05	± ---
2 PLACES	± 0.10	± ---
1 PLACE	± 0.2	± ---
ANGULAR ± 1/2°		

DRAFT WHERE APPLICABLE MUST REMAIN WITHIN DIMENSIONS

DIMENSION STYLE  
MM ONLY

DRAWN BY	DATE
TTOURISH	2007/07/07
CHECKED BY	DATE
NMCNAMARA	2007/07/09
APPROVED BY	DATE
BMAGUIRE	2007/07/09
MATERIAL NO.	

SEE CHARTS

SCALE 5:1  
DESIGN UNITS METRIC  
THIRD ANGLE PROJECTION

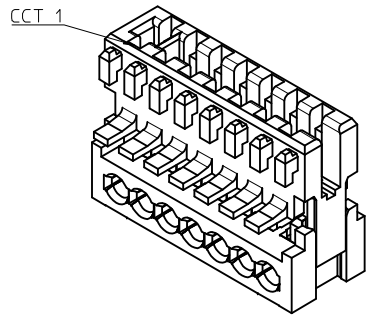
TITLE  
APPLI-MATE 2.5 FEMALE  
G.W.T. 750 VERSION

MOLEX MOLEX INCORPORATED

DOCUMENT NO. SD-93050-001  
SHEET NO. 2 OF 15

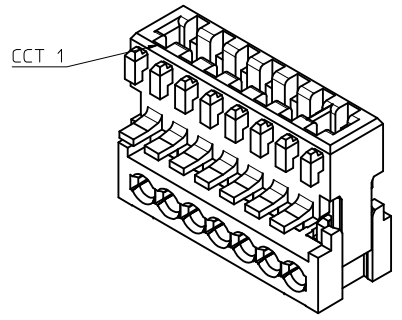
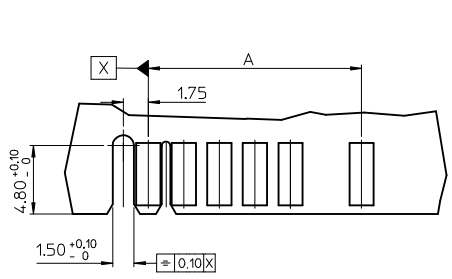
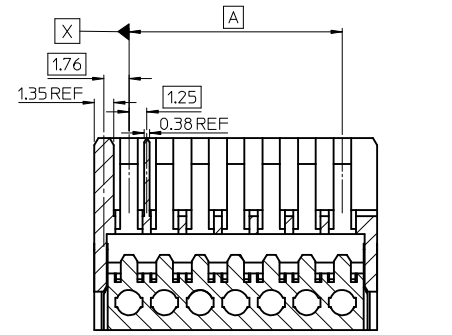
THIS DRAWING CONTAINS INFORMATION THAT IS PROPRIETARY TO MOLEX INCORPORATED AND SHOULD NOT BE USED WITHOUT WRITTEN PERMISSION

13 12 11 10 9 8 7 6 5 4 3 2 1



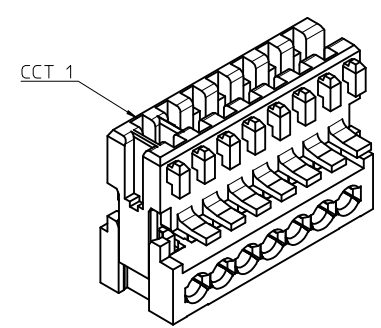
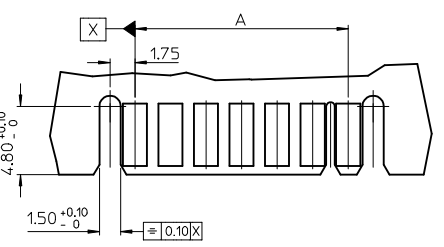
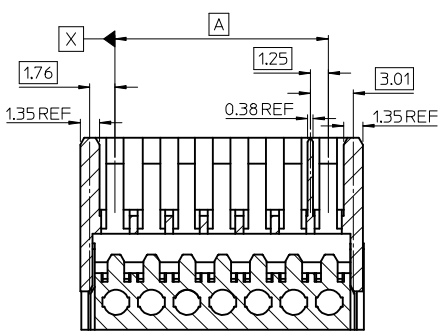
END WALL OPTION D

FIRST END WALL	LAST END WALL
<b>CLOSED</b>	<b>OPEN</b>



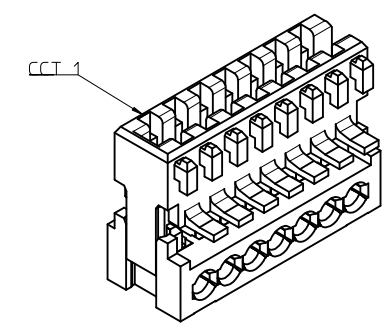
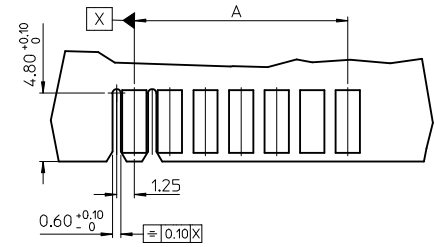
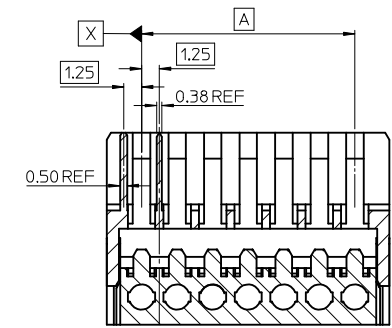
END WALL OPTION E

FIRST END WALL	LAST END WALL
<b>CLOSED</b>	<b>CLOSED</b>



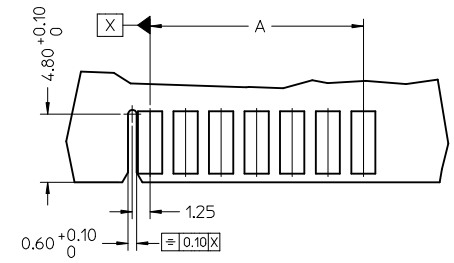
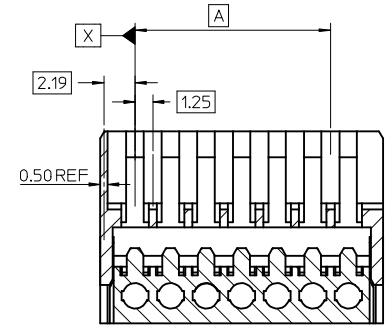
END WALL OPTION F

FIRST END WALL	LAST END WALL
<b>NARROW</b>	<b>OPEN</b>



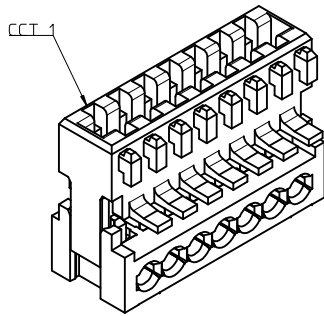
END WALL OPTION G

FIRST END WALL	LAST END WALL
<b>NARROW FLUSH</b>	<b>OPEN</b>



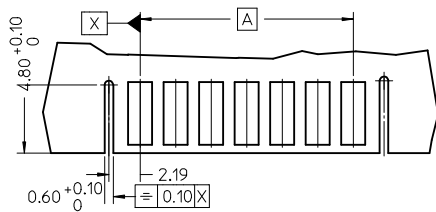
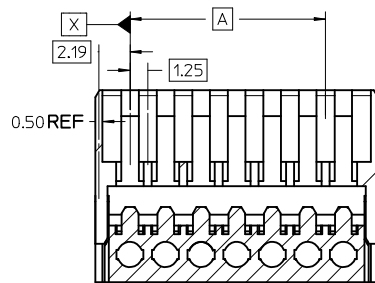
<p><b>SEE SHEET 1</b></p> <p>EC NO: IPG2015-1770</p> <p>DRAWN: J MURPHY 2015/04/09</p> <p>CHKD: CHKK</p> <p>APPR: MSHAMMAN 2015/06/03</p> <p>REV</p>	<p>QUALITY SYMBOLS</p> <p>▽=0</p> <p>▽=0</p>	<p>GENERAL TOLERANCES (UNLESS SPECIFIED)</p> <table border="1"> <tr> <td></td> <td>mm</td> <td>INCH</td> </tr> <tr> <td>4 PLACES</td> <td>± ---</td> <td>± ---</td> </tr> <tr> <td>3 PLACES</td> <td>± 0.05</td> <td>± ---</td> </tr> <tr> <td>2 PLACES</td> <td>± 0.10</td> <td>± ---</td> </tr> <tr> <td>1 PLACE</td> <td>± 0.2</td> <td>± ---</td> </tr> <tr> <td colspan="3">ANGULAR ±1/2°</td> </tr> </table>		mm	INCH	4 PLACES	± ---	± ---	3 PLACES	± 0.05	± ---	2 PLACES	± 0.10	± ---	1 PLACE	± 0.2	± ---	ANGULAR ±1/2°			<p>DIMENSION STYLE</p> <p><b>MM ONLY</b></p>	<p>SCALE</p> <p><b>5:1</b></p>	<p>DESIGN UNITS</p> <p><b>METRIC</b></p>	<p>THIRD ANGLE PROJECTION</p>
		mm	INCH																					
	4 PLACES	± ---	± ---																					
	3 PLACES	± 0.05	± ---																					
2 PLACES	± 0.10	± ---																						
1 PLACE	± 0.2	± ---																						
ANGULAR ±1/2°																								
<p>DRAFT WHERE APPLICABLE MUST REMAIN WITHIN DIMENSIONS</p>	<p>DRAWN BY</p> <p>T T O U R I S H</p> <p>CHECKED BY</p> <p>N M C N A M A R A</p> <p>APPROVED BY</p> <p>B M A G U I R E</p> <p>MATERIAL NO.</p>	<p>DATE</p> <p>2007/07/07</p> <p>DATE</p> <p>2007/07/09</p> <p>DATE</p> <p>2007/07/09</p>	<p>TITLE</p> <p><b>APPLI-MATE 2.5 FEMALE G.W.T. 750 VERSION</b></p>	<p>DOCUMENT NO.</p> <p><b>SD-93050-001</b></p>	<p>SHEET NO.</p> <p><b>3 OF 15</b></p>	<p>THIS DRAWING CONTAINS INFORMATION THAT IS PROPRIETARY TO MOLEX INCORPORATED AND SHOULD NOT BE USED WITHOUT WRITTEN PERMISSION</p>																		
<p>AR</p>	<p>SIZE</p> <p><b>A2</b></p>	<p>SEE CHARTS</p>	<p>MOLEX</p>	<p>MOLEX INCORPORATED</p>	<p>SD-93050-001</p>	<p>INCORPORATED AND SHOULD NOT BE USED WITHOUT WRITTEN PERMISSION</p>																		

13 12 11 10 9 8 7 6 5 4 3 2 1



END WALL OPTION H

FIRST END WALL	LAST END WALL
<b>NARROW FLUSH</b>	<b>NARROW FLUSH</b>



<b>SEE SHEET 1</b> EC NO: IFC2015-1770 DRAWN: J MURPHY 2015/04/09 CHKD: APPR: MSANAHAN 2015/06/03	DESCRIPTION REV	QUALITY SYMBOLS	GENERAL TOLERANCES (UNLESS SPECIFIED)	DIMENSION STYLE	SCALE	DESIGN UNITS	THIRD ANGLE PROJECTION																		
		$\nabla=0$ $\nabla=0$	<table border="1"> <thead> <tr> <th></th> <th>mm</th> <th>INCH</th> </tr> </thead> <tbody> <tr> <td>4 PLACES</td> <td>± ---</td> <td>± ---</td> </tr> <tr> <td>3 PLACES</td> <td>± 0.05</td> <td>± ---</td> </tr> <tr> <td>2 PLACES</td> <td>± 0.10</td> <td>± ---</td> </tr> <tr> <td>1 PLACE</td> <td>± 0.2</td> <td>± ---</td> </tr> <tr> <td>0 PLACE</td> <td>±</td> <td>±</td> </tr> </tbody> </table>		mm	INCH	4 PLACES	± ---	± ---	3 PLACES	± 0.05	± ---	2 PLACES	± 0.10	± ---	1 PLACE	± 0.2	± ---	0 PLACE	±	±	<b>MM ONLY</b> DRAWN BY DATE TTOURISH 2007/07/07 CHECKED BY DATE NMCNAMARA 2007/07/09 APPROVED BY DATE BMAGUIRE 2007/07/09	5:1	METRIC	
			mm	INCH																					
		4 PLACES	± ---	± ---																					
3 PLACES	± 0.05	± ---																							
2 PLACES	± 0.10	± ---																							
1 PLACE	± 0.2	± ---																							
0 PLACE	±	±																							
MATERIAL NO.			TITLE <b>APPLI-MATE 2.5 FEMALE G.W.T. 750 VERSION</b>				SHEET NO. 4 OF 15																		
DRAFT WHERE APPLICABLE MUST REMAIN WITHIN DIMENSIONS			SEE CHARTS		DOCUMENT NO. <b>SD-93050-001</b>		THIS DRAWING CONTAINS INFORMATION THAT IS PROPRIETARY TO MOLEX INCORPORATED AND SHOULD NOT BE USED WITHOUT WRITTEN PERMISSION																		

### 3 CIRCUIT

MOLEX PART NO.	MOLEX HOUSING NO.	TERMINAL VOID POSITION	REMOVED POSITION KEYS	CONFIGURATION (SEE NOTE 1)	ENDWALLS		POLARIZING RIB	COLOUR STRIPE
					FIRST END WALL	LAST END WALL		
93050-0001	93049-0003	NONE	NONE		OPEN	OPEN	NONE	NONE
93050-0003	93049-0003	NONE	b d		OPEN	OPEN	NONE	NONE
93050-0005	93049-0003	NONE	b		OPEN	OPEN	NONE	NONE
93050-0006	93049-0003	NONE	d		OPEN	OPEN	NONE	NONE
93050-0007	93049-0003	NONE	a c		OPEN	OPEN	NONE	NONE
93050-0008	93049-0003	NONE	a b		OPEN	OPEN	NONE	NONE
93050-0009	93049-0003	NONE	c d		OPEN	OPEN	NONE	NONE
93050-0012	93049-0103	NONE	b c		OPEN	OPEN	BETWEEN CCT 1&2	NONE
93050-0013	93049-0103	NONE	a		OPEN	OPEN	BETWEEN CCT 1&2	NONE
93050-0014	93049-0203	NONE	c		OPEN	OPEN	BETWEEN CCT 2&3	BLUE
93050-0016	93049-0103	NONE	NONE		OPEN	OPEN	BETWEEN CCT 1&2	NONE
93050-0017	93049-0203	NONE	NONE		OPEN	OPEN	BETWEEN CCT 2&3	NONE
93050-0018	93049-0003	NONE	a b c		OPEN	OPEN	NONE	NONE
93050-0019	93049-0003	NONE	c		OPEN	OPEN	NONE	NONE
93050-0020	93049-0003	NONE	a d		OPEN	OPEN	NONE	NONE
93050-0021	93049-0003	NONE	NONE		OPEN	OPEN	NONE	BLUE
93050-0022	93049-0103	NONE	NONE		OPEN	OPEN	BETWEEN CCT 1&2	BLUE
93050-0023	93049-0003	NONE	b c		OPEN	OPEN	NONE	NONE
93050-0024	93049-0003	NONE	a		OPEN	OPEN	NONE	NONE
93050-0025	93049-0003	NONE	a d		OPEN	OPEN	NONE	RED
93050-0026	93049-0003	NONE	c		OPEN	OPEN	NONE	RED
93050-0027	93049-0003	CCT 3	c		OPEN	OPEN	NONE	BLUE
93050-0028	93049-0003	NONE	b d		OPEN	OPEN	NONE	RED
93050-0029	93049-0003	NONE	a c		OPEN	OPEN	NONE	RED
93050-0030	93049-0003	CCT 1	NONE		OPEN	OPEN	NONE	RED

### 3 CIRCUIT

MOLEX PART NO.	MOLEX HOUSING NO.	TERMINAL VOID POSITION	REMOVED POSITION KEYS	CONFIGURATION (SEE NOTE 1)	ENDWALLS		POLARIZING RIB	COLOUR STRIPE
					FIRST END WALL	LAST END WALL		
93050-0031	93049-0003	CCT 3	NONE		OPEN	OPEN	NONE	NONE
93050-0032	93049-0003	NONE	NONE		OPEN	OPEN	NONE	BROWN
93050-0034	93049-0103	NONE	NONE		OPEN	OPEN	BETWEEN CCT 1&2	BLACK
93050-0151	93049-0063	NONE	NONE		CLOSED	OPEN	NONE	NONE
93050-0351	93049-0223	NONE	NONE		CLOSED	CLOSED	BETWEEN CCT 2&3	NONE
93050-0152	93049-0063	NONE	NONE		CLOSED	OPEN	NONE	BLUE
93050-0037	93049-0003	NONE	b		OPEN	OPEN	NONE	BLUE
93050-0038	93049-0003	CCT 3	NONE		OPEN	OPEN	NONE	BLACK
93050-0352	93049-0023	NONE	NONE		CLOSED	CLOSED	NONE	NONE
93050-0039	93049-0203	NONE	NONE		OPEN	OPEN	BETWEEN CCT 2&3	RED
93050-0153	93049-0063	NONE	a c		CLOSED	OPEN	NONE	NONE
93050-0154	93049-0063	NONE	d		CLOSED	OPEN	NONE	NONE
93050-0040	93049-0103	NONE	NONE		OPEN	OPEN	BETWEEN CCT 1&2	NONE
93050-0041	93049-0203	NONE	NONE		OPEN	OPEN	BETWEEN CCT 2&3	NONE
93050-0042	93049-0003	NONE	ALL		OPEN	OPEN	NONE	NONE
93050-0402 PART NUMBER REPLACED BY 93050-0352								
93050-0043 PART NUMBER REPLACED BY 93051-0057								
93050-0044	93049-0203	NONE	a d		OPEN	OPEN	BETWEEN CCT 2&3	BLUE
93050-0045	93049-0043	NONE	d		OPEN	CLOSED	NONE	NONE
93050-0046	93049-0003	NONE	a b d		OPEN	OPEN	NONE	NONE
93050-0047	93049-0043	NONE	a d		OPEN	CLOSED	NONE	GREEN

3CCT CONTINUED ON NEXT SHEET

- NOTES
- + DENOTES TERMINAL VOIDED POSITION
  - DENOTES TERMINAL LOADED POSITION
  - | DENOTES POLARIZING RIB POSITION
  - MOLEX HOUSING NO., FOR REFERENCE ONLY

SEE SHEET 1 EC NO: IP02045-1770 DRAWN: THURPHY 2015/04/09 CHKD: APPR: MSHAMAM 2015/06/03	QUALITY SYMBOLS	GENERAL TOLERANCES (UNLESS SPECIFIED)	DIMENSION STYLE	SCALE	DESIGN UNITS	THIRD ANGLE PROJECTION
	▽=0	mm INCH	MM ONLY	1:1	METRIC	
	▽=0	4 PLACES ± --- ± ---	DRAWN BY	DATE	TITLE	
		3 PLACES ± 0.05 ± ---	TTOURISH	2007/07/07	APPLI-MATE 2.5 FEMALE G.W.T. 750 VERSION	
	2 PLACES ± 0.10 ± ---	CHECKED BY	DATE			
	1 PLACE ± 0.2 ± ---	NMCNAMARA	2007/07/09			
	ANGULAR ± 1/2°	APPROVED BY	DATE			
		BMAGUIRE	2007/07/09			
		MATERIAL NO.	DOCUMENT NO.	MOLEX INCORPORATED		
				SD-93050-001		
		DRAFT WHERE APPLICABLE MUST REMAIN WITHIN DIMENSIONS	SEE CHART	SHEET NO. 5 OF 15		
			THIS DRAWING CONTAINS INFORMATION THAT IS PROPRIETARY TO MOLEX INCORPORATED AND SHOULD NOT BE USED WITHOUT WRITTEN PERMISSION			

### 3 CIRCUIT cont

MOLEX PART NO.	MOLEX HOUSING NO.	TERMINAL VOID POSITION	REMOVED POSITION KEYS	CONFIGURATION (SEE NOTE 1)	ENDWALLS		POLARIZING RIB	COLOUR STRIPE
					FIRST END WALL	LAST END WALL		
93050-0048	93049-0003	NONE	a d		OPEN	OPEN	NONE	BLUE
93050-0049	93049-0203	NONE	NONE		OPEN	OPEN	BETWEEN CCT 2&3	BLACK
93050-0050	93049-0003	NONE	b c		OPEN	OPEN	NONE	BLUE
93050-0051	93049-0103	NONE	ALL		OPEN	OPEN	BETWEEN CCT 1&2	BLUE
93050-0052	93049-0083	NONE	a c		NARROW	OPEN	NONE	NONE
93050-0053	93049-0083	NONE	d		NARROW	OPEN	NONE	NONE
93050-0054	93049-0003	NONE	NONE		OPEN	OPEN	NONE	RED
93050-0055	93049-0103	NONE	ALL		OPEN	OPEN	BETWEEN CCT 1&2	NONE
93050-0056	93049-0203	NONE	ALL		OPEN	OPEN	BETWEEN CCT 2&3	NONE
93050-0057	93049-0123	NONE	NONE		CLOSED	CLOSED	BETWEEN CCT 1&2	NONE
93050-0058	93049-0003	NONE	NONE		OPEN	OPEN	NONE	PURPLE
93050-0059	93049-0003	NONE	NONE		OPEN	OPEN	NONE	GREEN
93050-0060	93049-0123	NONE	NONE		CLOSED	CLOSED	BETWEEN CCT 1&2	BLACK

### 4 CIRCUIT

MOLEX PART NO.	MOLEX HOUSING NO.	TERMINAL VOID POSITION	REMOVED POSITION KEYS	CONFIGURATION (SEE NOTE 1)	ENDWALLS		POLARIZING RIB	COLOUR STRIPE
					FIRST END WALL	LAST END WALL		
93050-0501	93049-0004	NONE	NONE		OPEN	OPEN	NONE	NONE
93050-0502	93049-0104	NONE	a b d e		OPEN	OPEN	BETWEEN CCT 1&2	NONE
93050-0503	93049-0304	NONE	ALL		OPEN	OPEN	BETWEEN CCT 3&4	NONE
93050-0504	93049-0304	NONE	ALL		OPEN	OPEN	BETWEEN CCT 3&4	BLUE
93050-0505	93049-0004	NONE	c e		OPEN	OPEN	NONE	NONE
93050-0506	93049-0004	NONE	b c		OPEN	OPEN	NONE	NONE
93050-0507	93049-0204	NONE	NONE		OPEN	OPEN	BETWEEN CCT 2&3	NONE
93050-0508	93049-0004	NONE	a d e		OPEN	OPEN	NONE	NONE
93050-0509	93049-0004	NONE	a c		OPEN	OPEN	NONE	NONE
93050-0751	93049-0064	NONE	b e		CLOSED	OPEN	NONE	NONE
93050-0510	93049-0004	NONE	b d		OPEN	OPEN	NONE	NONE
93050-0511	93049-0004	NONE	b e		OPEN	OPEN	NONE	NONE
93050-0512	93049-0004	NONE	NONE		OPEN	OPEN	NONE	BLUE
93050-0514	93049-0004	NONE	c d		OPEN	OPEN	NONE	NONE
93050-0515	93049-0004	NONE	b c		OPEN	OPEN	NONE	RED
93050-0752	93049-0064	NONE	NONE		CLOSED	OPEN	NONE	NONE
93050-0753	93049-0064	NONE	a b d		CLOSED	OPEN	NONE	NONE
93050-0516	93049-0004	NONE	d		OPEN	OPEN	NONE	BLUE
93050-0517	93049-0004	NONE	b d e		OPEN	OPEN	NONE	BLUE

4CCT CONTINUED ON NEXT SHEET

- NOTES
- + DENOTES TERMINAL VOIDED POSITION
  - ⊙ DENOTES TERMINAL LOADED POSITION
  - | DENOTES POLARIZING RIB POSITION
  - MOLEX HOUSING NO. FOR REFERENCE ONLY

SEE SHEET 1 EC NO: IPG2045-1770 DRAWN BY: MURPHY CHKD: APPR: SHAMHAN 2015/04/09 2015/06/03	QUALITY SYMBOLS	GENERAL TOLERANCES (UNLESS SPECIFIED)	DIMENSION STYLE	SCALE	DESIGN UNITS	THIRD ANGLE PROJECTION	
	$\nabla=0$ $\nabla=0$	mm    INCH 4 PLACES ± --- ± --- 3 PLACES ± 0.05 ± --- 2 PLACES ± 0.10 ± --- 1 PLACE ± 0.2 ± --- ANGULAR ± 1/2°	MM ONLY DRAWN BY: TOURISH    DATE: 2007/07/07 CHECKED BY:    DATE: 2007/07/09 APPROVED BY: BMAGUIRE    DATE: 2007/07/09	1:1	METRIC		
	DRAFT WHERE APPLICABLE MUST REMAIN WITHIN DIMENSIONS						TITLE: APPLI-MATE 2.5 FEMALE G.W.T. 750 VERSION MATERIAL NO. SEE CHARTS DOCUMENT NO. SD-93050-001
	THIS DRAWING CONTAINS INFORMATION THAT IS PROPRIETARY TO MOLEX INCORPORATED AND SHOULD NOT BE USED WITHOUT WRITTEN PERMISSION						SHEET NO. 6 OF 15

4 CIRCUIT									
MOLEX PART NO.	MOLEX HOUSING NO.	TERMINAL VOID POSITION	REMOVED POSITION KEYS	CONFIGURATION (SEE NOTE 1)	ENDWALLS		POLARIZING RIB	COLOUR STRIPE	
					FIRST END WALL	LAST END WALL			
93050-0518	93049-0004	NONE	a c e		OPEN	OPEN	NONE	NONE	
93050-0519	93049-0004	NONE	a b		OPEN	OPEN	NONE	NONE	
93050-0520	93049-0004	NONE	a d		OPEN	OPEN	NONE	NONE	
93050-0521	93049-0004	NONE	a c d		OPEN	OPEN	NONE	NONE	
93050-0522	93049-0004	NONE	d e		OPEN	OPEN	NONE	NONE	
93050-0523	93049-0044	NONE	NONE		OPEN	CLOSED	NONE	NONE	
93050-0524	93049-0324	NONE	NONE		CLOSED	CLOSED	BETWEEN CCT 3&4	NONE	
93050-0525	93049-0004	<b>CKT 2</b>	b c		OPEN	OPEN	NONE	NONE	
93050-0526	93049-0004	<b>CKT 2</b>	a d		OPEN	OPEN	NONE	NONE	
93050-0527	93049-0004	<b>CKT 2</b>	c e		OPEN	OPEN	NONE	NONE	
93050-0528	93049-0004	<b>CKT 2</b>	d e		OPEN	OPEN	NONE	NONE	
93050-0529	93049-0004	NONE	b c d		OPEN	OPEN	NONE	NONE	
93050-0530	93049-0004	NONE	c		OPEN	OPEN	NONE	NONE	
93050-0532	93049-0024	NONE	NONE		CLOSED	CLOSED	NONE	NONE	
93050-0533	93049-0104	NONE	NONE		OPEN	OPEN	BETWEEN CCT 1&2	NONE	
93050-0534	93049-0084	NONE	NONE		NARROW	OPEN	NONE	NONE	
93050-0535	93049-0304	NONE	NONE		OPEN	OPEN	BETWEEN CCT 3&4	BLACK	
93050-0536	93049-0044	NONE	b		OPEN	CLOSED	NONE	NONE	
93050-0537	93049-0304	NONE	b c e		OPEN	OPEN	BETWEEN CCT 3&4	BLUE	
93050-0538	93049-0004	NONE	a b d		OPEN	OPEN	NONE	NONE	
93050-0540	93049-0064	NONE	b		CLOSED	OPEN	NONE	NONE	
93050-0541	93049-0004	NONE	b		OPEN	OPEN	NONE	NONE	
93050-0542	93049-0304	NONE	NONE		OPEN	OPEN	BETWEEN CCT 3&4	NONE	
93050-0543	93049-0064	NONE	a e		CLOSED	OPEN	NONE	NONE	
93050-0544	93049-0084	NONE	a e		NARROW	OPEN	NONE	NONE	

4 CIRCUIT									
MOLEX PART NO.	MOLEX HOUSING NO.	TERMINAL VOID POSITION	REMOVED POSITION KEYS	CONFIGURATION (SEE NOTE 1)	ENDWALLS		POLARIZING RIB	COLOUR STRIPE	
					FIRST END WALL	LAST END WALL			
93050-0545	<b>93049-0001</b>	NONE	a e		NARROW FLUSH	OPEN	NONE	NONE	
93050-0546	<b>93049-0001</b>	NONE	NONE		NARROW FLUSH	OPEN	NONE	NONE	
93050-0547	93049-0004	<b>CKT 1&amp;2</b>	NONE		OPEN	OPEN	NONE	NONE	
93050-0548	93049-0004	NONE	a c		OPEN	OPEN	NONE	RED	
93050-0549	93049-0004	NONE	NONE		OPEN	OPEN	NONE	RED	

NOTES

- + DENOTES TERMINAL VOIDED POSITION  
⊕ DENOTES TERMINAL LOADED POSITION  
| DENOTES POLARIZING RIB POSITION
- MOLEX HOUSING NO. FOR REFERENCE ONLY

SEE SHEET 1 SEC NO: 1PZ045-1770 DRAWN: MURPHY 2015/04/09 CHKD: APPR: SHAMHAN 2015/06/03 AR	QUALITY SYMBOLS	GENERAL TOLERANCES (UNLESS SPECIFIED)	DIMENSION STYLE	SCALE	DESIGN UNITS	THIRD ANGLE PROJECTION	
	▽=0	mm INCH	MM ONLY	5:1	METRIC		
	▽=0	4 PLACES ± --- ± --- 3 PLACES ± 0.05 ± --- 2 PLACES ± 0.10 ± --- 1 PLACE ± 0.2 ± ---	DRAWN BY DATE TTOURISH 2007/07/07	TITLE APPLI-MATE 2.5 FEMALE G.W.T. 750 VERSION			
		ANGULAR ± 1/2°	CHECKED BY DATE NMCNAMARA 2007/07/09	APPROVED BY DATE BMAGUIRE 2007/07/09			
	DRAFT WHERE APPLICABLE MUST REMAIN WITHIN DIMENSIONS	MATERIAL NO.	SEE CHART		DOCUMENT NO.	SHEET NO.	
			THIS DRAWING CONTAINS INFORMATION THAT IS PROPRIETARY TO MOLEX INCORPORATED AND SHOULD NOT BE USED WITHOUT WRITTEN PERMISSION		SD-93050-001	7 OF 15	





5 CIRCUIT								
MOLEX PART NO.	MOLEX HOUSING NO.	TERMINAL VOID POSITION	REMOVED POSITION KEYS	CONFIGURATION (SEE NOTE 1)	ENDWALLS		POLARIZING RIB	COLOUR STRIPE
					FIRST END WALL	LAST END WALL		
93050-1046	93049-0005	NONE	a d f		OPEN	OPEN	NONE	<b>RED</b>
93050-1047	93049-9902	NONE	NONE		<b>NARROW FLUSH</b>	<b>NARROW FLUSH</b>	NONE	NONE
93050-1048	93049-0005	<b>CCT 2,3,4</b>	c d f		OPEN	OPEN	NONE	NONE
93050-1049	93049-0005	<b>CCT 2,3,4</b>	a b c		OPEN	OPEN	NONE	NONE
93050-1050	93049-0005	NONE	a d e f		OPEN	OPEN	NONE	NONE
93050-1051	93049-0005	NONE	a c d e		OPEN	OPEN	NONE	NONE

- NOTES
- + DENOTES TERMINAL VOIDED POSITION
  - DENOTES TERMINAL LOADED POSITION
  - | DENOTES POLARIZING RIB POSITION
2. MOLEX HOUSING NO. FOR REFERENCE ONLY

SEE SHEET 1 EC NO: IPG2015-1770 DRAWN: MURPHY 2015/04/09 CHKD: APPR: SHAMHAN 2015/06/03 AR	QUALITY SYMBOLS	GENERAL TOLERANCES (UNLESS SPECIFIED)	DIMENSION STYLE	SCALE	DESIGN UNITS	THIRD ANGLE PROJECTION
	▽=0	mm INCH	MM ONLY	5:1	METRIC	
	▽=0	4 PLACES ± --- ± ---	DRAWN BY DATE	TITLE		
		3 PLACES ± 0.05 ± ---	TTOURISH 2007/07/07	APPLI-MATE 2.5 FEMALE G.W.T. 750 VERSION		
	2 PLACES ± 0.10 ± ---	CHECKED BY DATE	MATERIAL NO.			
	1 PLACE ± 0.2 ± ---	NMCNAMARA 2007/07/09	SD-93050-001			
	ANGULAR ± 1/2°	APPROVED BY DATE	DOCUMENT NO.			
		BMAGUIRE 2007/07/09	SD-93050-001			
			SHEET NO.			
			9 OF 15			
			THIS DRAWING CONTAINS INFORMATION THAT IS PROPRIETARY TO MOLEX INCORPORATED AND SHOULD NOT BE USED WITHOUT WRITTEN PERMISSION			

# 6 CIRCUIT

MOLEX PART NO.	MOLEX HOUSING NO.	TERMINAL VOID POSITION	REMOVED POSITION KEYS	CONFIGURATION (SEE NOTE 1)	ENDWALLS		POLARIZING RIB	COLOUR STRIPE
					FIRST END WALL	LAST END WALL		
93050-1501	93049-0006	NONE	NONE		OPEN	OPEN	NONE	NONE
93050-1502	93049-0006	<b>CCT 2,4</b>	NONE		OPEN	OPEN	NONE	NONE
93050-1503	93049-0006	NONE	a d e f		OPEN	OPEN	NONE	NONE
93050-1504	93049-0006	<b>CCT 2,5</b>	b c d e g		OPEN	OPEN	NONE	NONE
93050-1505	93049-0006	NONE	b d e g		OPEN	OPEN	NONE	NONE
93050-1506	93049-0006	NONE	g		OPEN	OPEN	NONE	NONE
93050-1507	93049-0006	NONE	b c d g		OPEN	OPEN	NONE	NONE
93050-1508	93049-0006	NONE	b c e		OPEN	OPEN	NONE	NONE
93050-1509	93049-0006	NONE	b c d e f		OPEN	OPEN	NONE	NONE
93050-1510	93049-0006	<b>CCT 3,5</b>	NONE		OPEN	OPEN	NONE	NONE
93050-1511	93049-0006	<b>CCT 4</b>	b c		OPEN	OPEN	NONE	NONE
93050-1512	93049-0006	<b>CCT 2,4</b>	b d e f		OPEN	OPEN	NONE	<b>BLUE</b>
93050-1513	93049-0406	<b>CCT 2,4</b>	NONE		OPEN	OPEN	<b>BETWEEN CCT 4&amp;5</b>	NONE
93050-1514	93049-0006	NONE	d e f g		OPEN	OPEN	NONE	NONE
93050-1515	93049-0006	NONE	a d		OPEN	OPEN	NONE	NONE
93050-1516	93049-0006	NONE	b e f		OPEN	OPEN	NONE	NONE
93050-1517	93049-0006	NONE	c d e		OPEN	OPEN	NONE	NONE
93050-1518	93049-0006	<b>CCT 1,3</b>	b d e g		OPEN	OPEN	NONE	NONE
93050-1520	93049-0006	<b>CCT 2,5</b>	c e		OPEN	OPEN	NONE	NONE
93050-1521	93049-0006	NONE	c e		OPEN	OPEN	NONE	NONE
93050-1522	93049-0006	NONE	d e		OPEN	OPEN	NONE	NONE
93050-1523	93049-0006	NONE	b e		OPEN	OPEN	NONE	NONE
93050-1524	93049-0006	NONE	a c		OPEN	OPEN	NONE	NONE
93050-1525	93049-0006	<b>CCT 2, 5</b>	NONE		OPEN	OPEN	NONE	<b>RED</b>

NOTES  
 1. + DENOTES TERMINAL VOIDED POSITION  
 ● DENOTES TERMINAL LOADED POSITION  
 | DENOTES POLARIZING RIB POSITION  
 2. MOLEX HOUSING NO. FOR REFERENCE ONLY

# 6 CIRCUIT

MOLEX PART NO.	MOLEX HOUSING NO.	TERMINAL VOID POSITION	REMOVED POSITION KEYS	CONFIGURATION (SEE NOTE 1)	ENDWALLS		POLARIZING RIB	COLOUR STRIPE
					FIRST END WALL	LAST END WALL		
93050-1526	93049-0006	NONE	c d		OPEN	OPEN	NONE	NONE
93050-1527	93049-0006	<b>CCT 1, 2, 3, 4</b>	NONE		OPEN	OPEN	NONE	NONE
93050-1528	93049-0006	NONE	c e f g		OPEN	OPEN	NONE	NONE
93050-1529	93049-0006	NONE	f		OPEN	OPEN	NONE	NONE
93050-1530	93049-0026	NONE	NONE		<b>CLOSED</b>	<b>CLOSED</b>	NONE	NONE
93050-1531	93049-0006	<b>CCT 2, 5</b>	b d		OPEN	OPEN	NONE	NONE
93050-1532	93049-0006	<b>CCT 2, 4</b>	d e		OPEN	OPEN	NONE	NONE
93050-1533	93049-1426	NONE	NONE		<b>CLOSED</b>	<b>CLOSED</b>	<b>BETWEEN CCT 1&amp;2 &amp; 2&amp;3</b>	NONE
93050-1534	93049-0106	NONE	NONE		OPEN	OPEN	<b>BETWEEN CCT 1&amp;2</b>	<b>BLACK</b>
93050-1535	93049-0226	NONE	NONE		<b>CLOSED</b>	<b>CLOSED</b>	<b>BETWEEN CCT 2&amp;3</b>	NONE
93050-1536	93049-0526	NONE	NONE		<b>CLOSED</b>	<b>CLOSED</b>	<b>BETWEEN CCT 5&amp;6</b>	NONE
93050-1538	93049-0006	NONE	e f		OPEN	OPEN	NONE	NONE
93050-1539	93049-0006	<b>CCT 3,5</b>	NONE		OPEN	OPEN	NONE	<b>BLUE</b>
93050-1540	93049-0006	<b>CCT 2,4</b>	a b f g		OPEN	OPEN	NONE	<b>BLUE</b>
93050-1541	93049-0006	<b>CCT 1,2,3&amp;4</b>	a b f g		OPEN	OPEN	NONE	NONE
93050-1542	93049-0006	<b>CCT 4,5&amp;6</b>	a b c f		OPEN	OPEN	NONE	NONE
93050-1543	93049-0006	<b>CCT 2,5</b>	NONE		OPEN	OPEN	NONE	NONE
93050-1544	93049-0066	NONE	NONE		<b>CLOSED</b>	<b>OPEN</b>	NONE	NONE
93050-1545	93049-0006	NONE	d f		OPEN	OPEN	NONE	NONE
93050-1546	93049-0006	NONE	c e g		OPEN	OPEN	NONE	NONE

6CCT CONTINUED ON NEXT SHEET

SEE SHEET 1 EC NO: IPG2015-1770 DRAWN: MURPHY 2015/04/09 CHKD: APPR: SHAMHAN 2015/06/03 REV: AR	QUALITY SYMBOLS ▽=0 ▽=0	GENERAL TOLERANCES (UNLESS SPECIFIED) mm INCH 4 PLACES ± --- ± --- 3 PLACES ± 0.05 ± --- 2 PLACES ± 0.10 ± --- 1 PLACE ± 0.2 ± --- 0 PLACE ± ±	DIMENSION STYLE MM ONLY	SCALE 5:1	DESIGN UNITS METRIC	THIRD ANGLE PROJECTION	
	DRAWN BY T. TOURISH 2007/07/07	CHECKED BY NMCNAMARA 2007/07/09	APPROVED BY BMAGUIRE 2007/07/09	DIMENSION STYLE MM ONLY	SCALE 5:1	DESIGN UNITS METRIC	TITLE APPLI-MATE 2.5 FEMALE G.W.T. 750 VERSION
	DRAFT WHERE APPLICABLE MUST REMAIN WITHIN DIMENSIONS	SEE CHARTS	MATERIAL NO.	DOCUMENT NO. SD-93050-001	SHEET NO. 10 OF 15	THIS DRAWING CONTAINS INFORMATION THAT IS PROPRIETARY TO MOLEX INCORPORATED AND SHOULD NOT BE USED WITHOUT WRITTEN PERMISSION	molex

6 CIRCUIT								
MOLEX PART NO.	MOLEX HOUSING NO.	TERMINAL VOID POSITION	REMOVED POSITION KEYS	CONFIGURATION (SEE NOTE 1)	ENDWALLS		POLARIZING RIB	COLOUR STRIPE
					FIRST END WALL	LAST END WALL		
93050-1547	93049-0306	NONE	a b g		OPEN	OPEN	BETWEEN CCT 3&4	BLUE
93050-1548	93049-0006	<b>CCT 4,5&amp;6</b>	b c f		OPEN	OPEN	NONE	NONE
93050-1549	93049-0026	<b>CCT 2,5</b>	NONE		CLOSED	CLOSED	NONE	NONE
93050-1550	93049-0026	NONE	c d		CLOSED	CLOSED	NONE	NONE
93050-1551	93049-0206	NONE	NONE		OPEN	OPEN	BETWEEN CCT 2&3	NONE
93050-1552	93049-0206	NONE	NONE		OPEN	OPEN	BETWEEN CCT 2&3	RED
93050-1553	93049-0006	<b>CCT 3,5</b>	c d e		OPEN	OPEN	NONE	NONE
93050-1554	93049-0006	NONE	b f g		OPEN	OPEN	NONE	NONE
93050-1555	93049-0006	NONE	b c d e f		OPEN	OPEN	NONE	NONE
93050-1556	93049-0426	NONE	NONE		CLOSED	CLOSED	BETWEEN CCT 4&5	BROWN
93050-1557	93049-0006	NONE	c f		OPEN	OPEN	NONE	NONE
93050-1558	93049-0006	<b>CCT 2,5</b>	d f		OPEN	OPEN	NONE	NONE
93050-1559	93049-0006	<b>CCT 2,4</b>	d e		OPEN	OPEN	NONE	GREEN
93050-1560	93049-0086	<b>CCT 2,5</b>	NONE		NARROW	OPEN	NONE	NONE
93050-1561	93049-0046	<b>CCT 2,5</b>	NONE		OPEN	CLOSED	NONE	NONE
93050-1562	93049-0046	NONE	c d		OPEN	CLOSED	NONE	NONE
93050-1563	93049-0006	NONE	b d f		OPEN	OPEN	NONE	BLUE
93050-1564	93049-0006	NONE	NONE		OPEN	OPEN	NONE	BLUE
93050-1565	93049-0266	NONE	NONE		CLOSED	OPEN	BETWEEN CCT 2&3	BLUE
93050-1566	93049-0426	NONE	NONE		CLOSED	CLOSED	BETWEEN CCT 4&5	NONE
93050-1567	93049-0006	NONE	a b f g		OPEN	OPEN	NONE	BLUE
93050-1568	93049-1506	NONE	c f		OPEN	OPEN	BETWEEN CCT 1&2, 3&4	NONE
93050-1569	93049-0206	<b>CCT 2,5</b>	NONE		OPEN	OPEN	BETWEEN CCT 2&3	NONE

NOTES  
 1. + DENOTES TERMINAL VOIDED POSITION  
 ● DENOTES TERMINAL LOADED POSITION  
 | DENOTES POLARIZING RIB POSITION  
 2. MOLEX HOUSING NO. FOR REFERENCE ONLY

6 CIRCUIT								
MOLEX PART NO.	MOLEX HOUSING NO.	TERMINAL VOID POSITION	REMOVED POSITION KEYS	CONFIGURATION (SEE NOTE 1)	ENDWALLS		POLARIZING RIB	COLOUR STRIPE
					FIRST END WALL	LAST END WALL		
93050-1570	93049-0426	NONE	NONE		CLOSED	CLOSED	BETWEEN CCT 4&5	BLACK
93050-1571	93049-0006	NONE	a c e g		OPEN	OPEN	NONE	BLACK
93050-1572	93049-0006	NONE	NONE		OPEN	OPEN	NONE	BLACK
93050-1573	93049-0006	<b>CCT 2</b>	NONE		OPEN	OPEN	NONE	BLACK
93050-1574	93049-0006	<b>CCT 5</b>	NONE		OPEN	OPEN	NONE	NONE

SEE SHEET 1 EC NO: IPC2015-1770 DRAWN BY: MURPHY 2015/04/09 CHKD: APPR: SHAMAHAN 2015/06/03 AR	QUALITY SYMBOLS	GENERAL TOLERANCES (UNLESS SPECIFIED)	DIMENSION STYLE	SCALE	DESIGN UNITS	FIRST ANGLE PROJECTION	
	$\nabla=0$ $\nabla=0$	mm    INCH 4 PLACES ± --- ± --- 3 PLACES ± 0.05 ± --- 2 PLACES ± 0.10 ± --- 1 PLACE ± 0.2 ± --- ANGULAR ± 1/2°	M M ONLY	DRAWN BY    DATE T T O U R I S H    2007/07/07 CHECKED BY    DATE N M C N A M A R A    2007/07/09 APPROVED BY    DATE B M A G U I R E    2007/07/09	5:1	METRIC	TITLE APPLI-MATE 2.5 FEMALE G.W.T. 750 VERSION
	DRAFT WHERE APPLICABLE MUST REMAIN WITHIN DIMENSIONS	SEE CHARTS MATERIAL NO. SD-93050-001	DOCUMENT NO. SD-93050-001	SHEET NO. 11 OF 15			
	THIS DRAWING CONTAINS INFORMATION THAT IS PROPRIETARY TO MOLEX INCORPORATED AND SHOULD NOT BE USED WITHOUT WRITTEN PERMISSION						

# 7 CIRCUIT

MOLEX PART NO.	MOLEX HOUSING NO.	TERMINAL VOID POSITION	REMOVED POSITION KEYS	CONFIGURATION (SEE NOTE 1)	ENDWALLS		POLARIZING RIB	COLOUR STRIPE
					FIRST END WALL	LAST END WALL		
93050-2001	93049-0007	NONE	NONE		OPEN	OPEN	NONE	NONE
93050-2002	93049-0007	<b>CCT 2,3,5</b>	c d f h		OPEN	OPEN	NONE	NONE
93050-2003	93049-0007	NONE	a c d e f g		OPEN	OPEN	NONE	NONE
93050-2004	93049-0007	NONE	b c f h		OPEN	OPEN	NONE	NONE
93050-2005	93049-0007	NONE	b c d e f		OPEN	OPEN	NONE	NONE
93050-2006	93049-0007	<b>CCT 3</b>	a c e f h		OPEN	OPEN	NONE	<b>YELLOW</b>
93050-2007	93049-0007	NONE	a c d e f h		OPEN	OPEN	NONE	NONE
93050-2008	93049-0007	<b>CCT 2, 4, 6, 7</b>	b e		OPEN	OPEN	NONE	<b>BLUE</b>
93050-2009	93049-0607	NONE	NONE		OPEN	OPEN	<b>BETWEEN CCT 6&amp;7</b>	NONE
93050-2010	93049-0007	<b>CCT 2,3</b>	b c f h		OPEN	OPEN	NONE	NONE
93050-2011	93049-0007	NONE	a d		OPEN	OPEN	NONE	NONE
93050-2012	93049-0007	NONE	a b e f		OPEN	OPEN	NONE	NONE
93050-2013	93049-0007	NONE	b c d f		OPEN	OPEN	NONE	NONE
93050-2015	93049-0107	NONE	a h		OPEN	OPEN	<b>BETWEEN CCT 1&amp;2</b>	NONE
93050-2016	93049-0007	NONE	a d e f h		OPEN	OPEN	NONE	NONE
93050-2017	93049-0007	NONE	b d e f h		OPEN	OPEN	NONE	NONE
93050-2018	93049-0007	NONE	a b		OPEN	OPEN	NONE	NONE
93050-2019	93049-0007	NONE	c d e f g h		OPEN	OPEN	NONE	NONE
93050-2020	93049-0227	NONE	NONE		<b>CLOSED</b>	<b>CLOSED</b>	<b>BETWEEN CCT 2&amp;3</b>	NONE
93050-2021	93049-0627	NONE	ALL		<b>CLOSED</b>	<b>CLOSED</b>	<b>BETWEEN CCT 6&amp;7</b>	NONE
93050-2022	93049-0007	<b>CCT 2,3,4 8&amp;6</b>	NONE		OPEN	OPEN	NONE	NONE
93050-2023	93049-0027	NONE	NONE		<b>CLOSED</b>	<b>CLOSED</b>	NONE	NONE
93050-2024	93049-0207	NONE	NONE		OPEN	OPEN	<b>BETWEEN CCT 2&amp;3</b>	<b>BLUE</b>
93050-2025	93049-0207	<b>CCT 1,2</b>	NONE		OPEN	OPEN	<b>BETWEEN CCT 2&amp;3</b>	<b>BLUE</b>
93050-2026	93049-0007	<b>CCT 2,4,6</b>	NONE		OPEN	OPEN	NONE	NONE

NOTES  
 1. + DENOTES TERMINAL VOIDED POSITION  
 ⊕ DENOTES TERMINAL LOADED POSITION  
 | DENOTES POLARIZING RIB POSITION  
 2. MOLEX HOUSING NO. FOR REFERENCE ONLY

# 7 CIRCUIT CONT

MOLEX PART NO.	MOLEX HOUSING NO.	TERMINAL VOID POSITION	REMOVED POSITION KEYS	CONFIGURATION (SEE NOTE 1)	ENDWALLS		POLARIZING RIB	COLOUR STRIPE
					FIRST END WALL	LAST END WALL		
93050-2027	93049-0007	<b>CCT 2,4</b>	NONE		OPEN	OPEN	NONE	<b>GREEN</b>
93050-2028	93049-0007	<b>CCT 4,7</b>	NONE		OPEN	OPEN	NONE	<b>BLUE</b>
93050-2029	93049-0007	NONE	b c e f		OPEN	OPEN	NONE	NONE
93050-2030	93049-0007	NONE	b e		OPEN	OPEN	NONE	NONE
93050-2031	93049-0007	<b>CCT 5,6,7</b>	b e		OPEN	OPEN	NONE	NONE
93050-2032	93049-0007	<b>CCT 5,6,7</b>	NONE		OPEN	OPEN	NONE	NONE
93050-2033	93049-0007	NONE	a b d e g h		OPEN	OPEN	NONE	NONE
93050-2034	93049-0007	NONE	b c d e f g		OPEN	OPEN	NONE	NONE
93050-2035	93049-0007	NONE	a c f h		OPEN	OPEN	NONE	NONE
93050-2036	93049-0007	<b>CCT 1,2,3,4,6</b>	a c f		OPEN	OPEN	NONE	NONE
93050-2037	93049-0067	NONE	NONE		<b>CLOSED</b>	OPEN	NONE	NONE
93050-2038	93049-0627	NONE	NONE		<b>CLOSED</b>	<b>CLOSED</b>	<b>BETWEEN CCT 6&amp;7</b>	NONE

# 8 CIRCUIT

MOLEX PART NO.	MOLEX HOUSING NO.	TERMINAL VOID POSITION	REMOVED POSITION KEYS	CONFIGURATION (SEE NOTE 1)	ENDWALLS		POLARIZING RIB	COLOUR STRIPE
					FIRST END WALL	LAST END WALL		
93050-2501	93049-0008	NONE	NONE		OPEN	OPEN	NONE	NONE
93050-2502	93049-0008	<b>CCT 2,5,7</b>	b c d f g h i		OPEN	OPEN	NONE	NONE
93050-2503	93049-0008	NONE	c f h i		OPEN	OPEN	NONE	NONE
93050-2504	93049-0608	NONE	NONE		OPEN	OPEN	<b>BETWEEN CCT 6&amp;7</b>	<b>BLUE</b>
93050-2505	93049-0708	NONE	NONE		OPEN	OPEN	<b>BETWEEN CCT 7&amp;8</b>	<b>BLUE</b>
93050-2506	93049-0008	NONE	b c d g h i		OPEN	OPEN	NONE	NONE
93050-2507	93049-0708	NONE	NONE		OPEN	OPEN	<b>BETWEEN CCT 7&amp;8</b>	NONE
93050-2508	93049-0608	NONE	NONE		OPEN	OPEN	<b>BETWEEN CCT 6&amp;7</b>	NONE

SEE SHEET 1 EC NO: IPG2045-1770 DRAWN BY: MURPHY CHKD: APPR: SHAMHAM 2015/04/09 2015/06/03	QUALITY SYMBOLS ∇=0 ∇=0.1	GENERAL TOLERANCES (UNLESS SPECIFIED) 4 PLACES ± --- ± --- 3 PLACES ± 0.05 ± --- 2 PLACES ± 0.10 ± --- 1 PLACE ± 0.2 ± --- ANGULAR ±1/2°	DIMENSION STYLE MM ONLY	SCALE 5:1	DESIGN UNITS METRIC	FIRST ANGLE PROJECTION	
	DRAWN BY: TOURISH DATE: 2007/07/07	CHECKED BY: NMCNAMARA DATE: 2007/07/09	APPROVED BY: BMAGUIRE DATE: 2007/07/09	MATERIAL NO. SEE CHARTS	DOCUMENT NO. SD-93050-001	SHEET NO. 12 OF 15	TITLE APPLI-MATE 2.5 FEMALE G.W.T. 750 VERSION
	DRAFT WHERE APPLICABLE MUST REMAIN WITHIN DIMENSIONS						THIS DRAWING CONTAINS INFORMATION THAT IS PROPRIETARY TO MOLEX INCORPORATED AND SHOULD NOT BE USED WITHOUT WRITTEN PERMISSION
	AR						MOLEX INCORPORATED

# 8 CIRCUIT CONT

MOLEX PART NO.	MOLEX HOUSING NO.	TERMINAL VOID POSITION	REMOVED POSITION KEYS	CONFIGURATION (SEE NOTE 1)	ENDWALLS		POLARIZING RIB	COLOUR STRIPE
					FIRST END WALL	LAST END WALL		
93050-2509	93049-0008	<b>CCT 1, 2, 5,</b>	a b d f h i		OPEN	OPEN	NONE	NONE
93050-2751	93049-0048	NONE	NONE		<b>CLOSED</b>	<b>OPEN</b>	NONE	NONE
93050-2752	93049-0008	<b>CCT 1, 2, 7, 8</b>	a b d f h i		OPEN	OPEN	NONE	<b>BLACK</b>
93050-2753	93049-1308	NONE	NONE		OPEN	OPEN	<b>BETWEEN 1&amp;2 + 7&amp;8</b>	NONE
93050-2754	93049-0568	NONE	NONE		<b>CLOSED</b>	<b>OPEN</b>	<b>BETWEEN CCT 5&amp;6</b>	NONE
93050-2710	93049-0008	NONE	a b c d g h		OPEN	OPEN	NONE	NONE
93050-2510	93049-0008	NONE	a c d e g h		OPEN	OPEN	NONE	NONE
93050-2511	93049-0008	NONE	a c d e g h i		OPEN	OPEN	NONE	NONE
93050-2512	93049-0728	NONE	NONE		<b>CLOSED</b>	<b>CLOSED</b>	<b>BETWEEN CCT 7&amp;8</b>	NONE
93050-2513	93049-0008	NONE	b c d h i		OPEN	OPEN	NONE	NONE
93050-2515	93049-0028	NONE	NONE		<b>CLOSED</b>	<b>CLOSED</b>	NONE	NONE
93050-2516	93049-0008	<b>CCT 2,4</b>	NONE		OPEN	OPEN	NONE	NONE
93050-2517	93049-0008	<b>CCT 5,7</b>	NONE		OPEN	OPEN	NONE	NONE
93050-2518	93049-0008	<b>CCT 2</b>	NONE		OPEN	OPEN	NONE	NONE
93050-2519	93049-0068	<b>CCT 5,7</b>	NONE		<b>CLOSED</b>	<b>OPEN</b>	NONE	NONE
93050-2520	93049-0208	<b>CCT 2,4</b>	NONE		OPEN	OPEN	<b>BETWEEN CCT 2&amp;3</b>	<b>RED</b>
93050-2521	93049-0308	NONE	NONE		OPEN	OPEN	<b>BETWEEN CCT 3&amp;4</b>	NONE
93050-2522	93049-0008	NONE	c h i		OPEN	OPEN	NONE	NONE
93050-2523	93049-0088	<b>CCT 5,7</b>	NONE		NARROW	OPEN	NONE	NONE
93050-2524	93049-0328	NONE	NONE		CLOSED	CLOSED	<b>BETWEEN CCT 3&amp;4</b>	NONE
93050-2525	93049-0008	NONE	a b c g h i		OPEN	OPEN	NONE	NONE

# 9 CIRCUIT

MOLEX PART NO.	MOLEX HOUSING NO.	TERMINAL VOID POSITION	REMOVED POSITION KEYS	CONFIGURATION (SEE NOTE 1)	ENDWALLS		POLARIZING RIB	COLOUR STRIPE
					FIRST END WALL	LAST END WALL		
93050-3001	93049-0009	NONE	NONE		OPEN	OPEN	NONE	NONE
93050-3002	93049-0009	<b>CCT 3,5,8</b>	b c d e f g h i		OPEN	OPEN	NONE	NONE
93050-3003	93049-0809	NONE	NONE		OPEN	OPEN	<b>BETWEEN CCT 8&amp;9</b>	NONE
93050-3004	93049-0409	NONE	NONE		OPEN	OPEN	<b>BETWEEN CCT 4&amp;5</b>	NONE
93050-3005	93049-0009	<b>CCT 2,5,8</b>	b c h i		OPEN	OPEN	NONE	NONE
93050-3006	93049-0009	NONE	b c h i		OPEN	OPEN	NONE	NONE
93050-3007	93049-0009	<b>CCT 3, 5, 8</b>	NONE		OPEN	OPEN	NONE	<b>BLUE</b>
93050-3008	93049-0829	NONE	NONE		<b>CLOSED</b>	<b>CLOSED</b>	<b>BETWEEN CCT 8&amp;9</b>	NONE
93050-3009	93049-0029	NONE	NONE		<b>CLOSED</b>	<b>CLOSED</b>	NONE	NONE
93050-3010	93049-0009	<b>CCT 3, 5, 7, 8, 9</b>	NONE		OPEN	OPEN	NONE	NONE
93050-3011	93049-0309	NONE	NONE		OPEN	OPEN	<b>BETWEEN CCT 3&amp;4</b>	NONE
93050-3012	93049-0209	NONE	NONE		OPEN	OPEN	<b>BETWEEN CCT 2&amp;3</b>	NONE
93050-3013	93049-0509	NONE	NONE		OPEN	OPEN	<b>BETWEEN CCT 5&amp;6</b>	NONE
93050-3014	93049-0009	<b>CCT 2, 5, 8</b>	NONE		OPEN	OPEN	NONE	NONE
93050-3015	93049-0009	NONE	ALL		OPEN	OPEN	NONE	NONE
93050-3016	93049-0009	<b>CKT 1,5</b>	a d f g i		OPEN	OPEN	NONE	<b>RED</b>
93050-3017	93049-0009	<b>CKT 1,5</b>	NONE		OPEN	OPEN	NONE	<b>RED</b>
93050-3018	93049-0009	<b>CKT 2,4</b>	a d f g i		OPEN	OPEN	NONE	<b>RED</b>
93050-3019	93049-0009	<b>CKT 2,4</b>	NONE		OPEN	OPEN	NONE	<b>RED</b>
93050-3020	93049-0009	<b>CKT 1,5</b>	a d f g i		OPEN	OPEN	NONE	<b>GREEN</b>
93050-3021	93049-0009	<b>CKT 1,5</b>	NONE		OPEN	OPEN	NONE	<b>GREEN</b>

### NOTES

- + DENOTES TERMINAL VOIDED POSITION
- DENOTES TERMINAL LOADED POSITION
- | DENOTES POLARIZING RIB POSITION
2. MOLEX HOUSING NO. FOR REFERENCE ONLY

SEE SHEET 1 EC NO: PG2045-1770 DRAWN BY: MURPHY CHKD: APPR: SHAMAHAN DATE: 2015/04/09 DATE: 2015/06/03	QUALITY SYMBOLS 	GENERAL TOLERANCES (UNLESS SPECIFIED) mm INCH 4 PLACES ± 0.15 ± 0.006 3 PLACES ± 0.05 ± 0.002 2 PLACES ± 0.10 ± 0.004 1 PLACE ± 0.2 ± 0.008 ANGULAR ± 1/2°	DIMENSION STYLE MM ONLY	SCALE 5:1	DESIGN UNITS METRIC	FIRST ANGLE PROJECTION	
	DRAWN BY: TOURISH DATE: 2007/07/07	CHECKED BY: NMCNAMARA DATE: 2007/07/09	APPROVED BY: BMAGUIRE DATE: 2007/07/09	MATERIAL NO.	DOCUMENT NO.	TITLE APPLI-MATE 2.5 FEMALE G.W.T. 750 VERSION	SHEET NO. 13 OF 15
	DRAFT WHERE APPLICABLE MUST REMAIN WITHIN DIMENSIONS			SEE CHARTS	MOLEX INCORPORATED	SD-93050-001	THIS DRAWING CONTAINS INFORMATION THAT IS PROPRIETARY TO MOLEX INCORPORATED AND SHOULD NOT BE USED WITHOUT WRITTEN PERMISSION
	AR	REV	SIZE A1				

### 9 CIRCUIT

MOLEX PART NO.	MOLEX HOUSING NO.	TERMINAL VOID POSITION	REMOVED POSITION KEYS	CONFIGURATION (SEE NOTE 1)	ENDWALLS		POLARIZING RIB	COLOUR STRIPE
					FIRST END WALL	LAST END WALL		
93050-3022	93049-0009	<b>CCT 1,5</b>	a c d f h j		OPEN	OPEN	NONE	<b>GREEN</b>
93050-3023	93049-0009	<b>CCT 1,5</b>	a c d f h j		OPEN	OPEN	NONE	<b>RED</b>

### 10 CIRCUIT

MOLEX PART NO.	MOLEX HOUSING NO.	TERMINAL VOID POSITION	REMOVED POSITION KEYS	CONFIGURATION (SEE NOTE 1)	ENDWALLS		POLARIZING RIB	COLOUR STRIPE
					FIRST END WALL	LAST END WALL		
93050-3501	93049-0010	NONE	NONE		OPEN	OPEN	NONE	NONE
93050-3502	93049-0110	NONE	NONE		OPEN	OPEN	<b>BETWEEN CCT 1&amp;2</b>	NONE
93050-3503	93049-0010	<b>CCT 2,9</b>	NONE		OPEN	OPEN	NONE	<b>BLUE</b>
93050-3504	93049-0010	<b>CCT 2,5,7,9</b>	NONE		OPEN	OPEN	NONE	NONE
93050-3505	93049-0010	<b>CCT 2,4,6,9</b>	NONE		OPEN	OPEN	NONE	NONE
93050-3506	93049-0930	NONE	NONE		<b>CLOSED</b>	<b>CLOSED</b>	<b>BETWEEN CCT 9&amp;10</b>	NONE
93050-3507	93049-0030	NONE	NONE		<b>CLOSED</b>	<b>CLOSED</b>	NONE	NONE
93050-3508	93049-0010	<b>CCT 2,5,7,9</b>	b c d e f g h i j		OPEN	OPEN	NONE	<b>BLUE</b>
93050-3509	93049-0010	<b>CCT 2,4,6,9</b>	c d e f g h i		OPEN	OPEN	NONE	<b>BLUE</b>
93050-3510	93049-0010	<b>CCT 2,6,9</b>	NONE		OPEN	OPEN	NONE	NONE
93050-3511	93049-0010	<b>CCT 2,5,7,9</b>	NONE		OPEN	OPEN	NONE	<b>BLUE</b>
93050-3512	93049-0010	<b>CCT 2,4,6,9</b>	NONE		OPEN	OPEN	NONE	<b>BLUE</b>
93050-3513	93049-0710	NONE	NONE		OPEN	OPEN	<b>BETWEEN CCT 7&amp;8</b>	NONE
93050-3514	93049-0010	NONE	NONE		OPEN	OPEN	NONE	<b>BLUE</b>
93050-3515	93049-0910	<b>CCT 2,4,6,9</b>	d e f g h		OPEN	OPEN	<b>9 &amp; 10</b>	NONE

- NOTES
- + DENOTES TERMINAL VOIDED POSITION
  - o DENOTES TERMINAL LOADED POSITION
  - | DENOTES POLARIZING RIB POSITION
  2. MOLEX HOUSING NO. FOR REFERENCE ONLY

### 11 CIRCUIT

MOLEX PART NO.	MOLEX HOUSING NO.	TERMINAL VOID POSITION	REMOVED POSITION KEYS	CONFIGURATION (SEE NOTE 1)	ENDWALLS		POLARIZING RIB	COLOUR STRIPE
					FIRST END WALL	LAST END WALL		
93050-4001	93049-0011	NONE	NONE		OPEN	OPEN	NONE	NONE
93050-4002	93049-0911	NONE	b c d e f g h i j k		OPEN	OPEN	<b>BETWEEN CCT 9&amp;10</b>	<b>BLUE</b>
93050-4003	93049-0011	NONE	b c d g h i j k		OPEN	OPEN	NONE	NONE
93050-4004	93049-0011	<b>CCT 4,6,8,10</b>	NONE		OPEN	OPEN	NONE	NONE
93050-4005	93049-0011	<b>CCT 4,6,8,10</b>	b c d e f g h i j k		OPEN	OPEN	NONE	NONE
93050-4006	93049-0011	<b>CCT 4,6,8,10</b>	NONE		OPEN	OPEN	NONE	<b>ORANGE</b>
93050-4007	93049-0911	NONE	NONE		OPEN	OPEN	<b>BETWEEN CCT 9&amp;10</b>	NONE
93050-4008	93049-0031	NONE	NONE		<b>CLOSED</b>	<b>CLOSED</b>	NONE	NONE
93050-4009	93049-0511	NONE	NONE		OPEN	OPEN	<b>BETWEEN CKT 5&amp;6</b>	NONE
93050-4010	93049-0211	<b>CKT 2,4,6</b>	NONE		OPEN	OPEN	<b>BETWEEN CKT 2&amp;3</b>	NONE
93050-4011	93049-0011	<b>CKT 2,4,6,7,8,10</b>	c e f g i k l		OPEN	OPEN	NONE	<b>BLACK</b>
93050-4012	93049-0011	<b>CKT 2,4,6,7,8,10</b>	NONE		OPEN	OPEN	NONE	<b>BLACK</b>

### 12 CIRCUIT

MOLEX PART NO.	MOLEX HOUSING NO.	TERMINAL VOID POSITION	REMOVED POSITION KEYS	CONFIGURATION (SEE NOTE 1)	ENDWALLS		POLARIZING RIB	COLOUR STRIPE
					FIRST END WALL	LAST END WALL		
93050-4501	93049-0012	NONE	NONE		OPEN	OPEN	NONE	NONE
93050-4502	93049-0072	NONE	b c d f h i k l		<b>CLOSED</b>	<b>OPEN</b>	NONE	NONE
93050-4503	93049-0032	NONE	NONE		<b>CLOSED</b>	<b>CLOSED</b>	NONE	NONE
93050-4504	93049-0072	NONE	NONE		<b>CLOSED</b>	<b>OPEN</b>	NONE	NONE
93050-4505	93049-1132	NONE	NONE		<b>CLOSED</b>	<b>CLOSED</b>	<b>BETWEEN CKT 11&amp;12</b>	NONE
93050-4506	93049-0092	NONE	NONE		<b>NARROW</b>	<b>OPEN</b>	NONE	NONE
93050-4507	93049-0012	NONE	a d f g k l m		<b>OPEN</b>	<b>OPEN</b>	NONE	<b>RED</b>
93050-4508	93049-0012	NONE	NONE		<b>OPEN</b>	<b>OPEN</b>	NONE	<b>RED</b>

SEE SHEET 1 EC NO: 1P2015-1770 DRAWN: T MURPHY CHKD: APPR: SHAMAHAN DATE: 2015/04/09 DATE: 2015/06/03	QUALITY SYMBOLS	GENERAL TOLERANCES (UNLESS SPECIFIED)	DIMENSION STYLE	SCALE	DESIGN UNITS	FIRST ANGLE PROJECTION	
	▽=0 ▽=0	mm    INCH 4 PLACES ± --- ± --- 3 PLACES ± 0.05 ± --- 2 PLACES ± 0.10 ± --- 1 PLACE ± 0.2 ± --- ANGULAR ±1/2°	MM ONLY DRAWN BY DATE T T O U R I S H    2007/07/07 CHECKED BY DATE N M C N A M A R A    2007/07/09 APPROVED BY DATE B M A G U I R E    2007/07/09	5:1	METRIC		
	DRAFT WHERE APPLICABLE MUST REMAIN WITHIN DIMENSIONS		SEE CHARTS MATERIAL NO.	SD-93050-001 DOCUMENT NO.	APPLI-MATE 2.5 FEMALE G.W.T. 750 VERSION MOLEX INCORPORATED		SHEET NO. 14 OF 15
	THIS DRAWING CONTAINS INFORMATION THAT IS PROPRIETARY TO MOLEX INCORPORATED AND SHOULD NOT BE USED WITHOUT WRITTEN PERMISSION						

### 12 CIRCUIT

MOLEX PART NO.	MOLEX HOUSING NO.	TERMINAL VOID POSITION	REMOVED POSITION KEYS	CONFIGURATION (SEE NOTE 1)	ENDWALLS		POLARIZING RIB	COLOUR STRIPE
					FIRST END WALL	LAST END WALL		
93050-4509	93049-0012	<b>CCT 1, 2</b>	a d f g i k m		OPEN	OPEN	NONE	GREEN

### 13 CIRCUIT

MOLEX PART NO.	MOLEX HOUSING NO.	TERMINAL VOID POSITION	REMOVED POSITION KEYS	CONFIGURATION (SEE NOTE 1)	ENDWALLS		POLARIZING RIB	COLOUR STRIPE
					FIRST END WALL	LAST END WALL		
93050-5001	93049-0013	NONE	NONE		OPEN	OPEN	NONE	NONE
93050-5002	93049-0213	<b>CCT 2, 5, 7, 12</b>	a n		OPEN	OPEN	<b>BETWEEN CKT 2&amp;3</b>	NONE
93050-5003	93049-0053	NONE	NONE		<b>OPEN</b>	<b>CLOSED</b>	NONE	NONE
93050-5004	93049-0013	<b>CCT 4, 6, 8, 10, 12</b>	NONE		OPEN	OPEN	NONE	NONE
93050-5005	93049-0033	NONE	NONE		<b>CLOSED</b>	<b>CLOSED</b>	NONE	NONE

### 14 CIRCUIT

MOLEX PART NO.	MOLEX HOUSING NO.	TERMINAL VOID POSITION	REMOVED POSITION KEYS	CONFIGURATION (SEE NOTE 1)	ENDWALLS		POLARIZING RIB	COLOUR STRIPE
					FIRST END WALL	LAST END WALL		
93050-5501	93049-0014	NONE	NONE		OPEN	OPEN	NONE	NONE
93050-5502	93049-1434	NONE	NONE		<b>CLOSED</b>	<b>CLOSED</b>	<b>BETWEEN CKT 13&amp;14</b>	NONE
93050-5503	93049-0014	<b>CCT 7, 8, 9, 10</b>	ALL		OPEN	OPEN	NONE	<b>BLUE</b>
93050-5504	93049-0034	NONE	NONE		<b>CLOSED</b>	<b>CLOSED</b>	NONE	NONE

### 15 CIRCUIT

MOLEX PART NO.	MOLEX HOUSING NO.	TERMINAL VOID POSITION	REMOVED POSITION KEYS	CONFIGURATION (SEE NOTE 1)	ENDWALLS		POLARIZING RIB	COLOUR STRIPE
					FIRST END WALL	LAST END WALL		
93050-6001	93049-0015	NONE	NONE		OPEN	OPEN	NONE	NONE
93050-6002	93049-0215	<b>CCT 10, 12, 14</b>	NONE		OPEN	OPEN	<b>BETWEEN CKT 2&amp;3</b>	NONE
93050-6003	93049-0035	NONE	NONE		CLOSED	CLOSED	NONE	NONE

### 16 CIRCUIT

MOLEX PART NO.	MOLEX HOUSING NO.	TERMINAL VOID POSITION	REMOVED POSITION KEYS	CONFIGURATION (SEE NOTE 1)	ENDWALLS		POLARIZING RIB	COLOUR STRIPE
					FIRST END WALL	LAST END WALL		
93050-6501	93049-0016	NONE	NONE		OPEN	OPEN	NONE	NONE

### 17 CIRCUIT

MOLEX PART NO.	MOLEX HOUSING NO.	TERMINAL VOID POSITION	REMOVED POSITION KEYS	CONFIGURATION (SEE NOTE 1)	ENDWALLS		POLARIZING RIB	COLOUR STRIPE
					FIRST END WALL	LAST END WALL		
93050-7001	93049-0017	NONE	NONE		OPEN	OPEN	NONE	NONE

### 18 CIRCUIT

MOLEX PART NO.	MOLEX HOUSING NO.	TERMINAL VOID POSITION	REMOVED POSITION KEYS	CONFIGURATION (SEE NOTE 1)	ENDWALLS		POLARIZING RIB	COLOUR STRIPE
					FIRST END WALL	LAST END WALL		
93050-7501	93049-0018	NONE	NONE		OPEN	OPEN	NONE	NONE

### 19 CIRCUIT

MOLEX PART NO.	MOLEX HOUSING NO.	TERMINAL VOID POSITION	REMOVED POSITION KEYS	CONFIGURATION (SEE NOTE 1)	ENDWALLS		POLARIZING RIB	COLOUR STRIPE
					FIRST END WALL	LAST END WALL		
93050-8001	93049-0019	NONE	NONE		OPEN	OPEN	NONE	NONE

### 20 CIRCUIT

MOLEX PART NO.	MOLEX HOUSING NO.	TERMINAL VOID POSITION	REMOVED POSITION KEYS	CONFIGURATION (SEE NOTE 1)	ENDWALLS		POLARIZING RIB	COLOUR STRIPE
					FIRST END WALL	LAST END WALL		
93050-8501	93049-0020	NONE	NONE		OPEN	OPEN	NONE	NONE
93050-8502	93049-0520	NONE	NONE		OPEN	OPEN	<b>BETWEEN CKT 5&amp;6</b>	NONE
93050-8503	93049-0380	NONE	NONE		CLOSED	OPEN	<b>BETWEEN CKT 3&amp;4</b>	NONE
93050-8504	93049-0380	NONE	NONE		CLOSED	OPEN	<b>BETWEEN CKT 3&amp;4</b>	BLUE

**NOTES**

- + DENOTES TERMINAL VOIDED POSITION  
 ● DENOTES TERMINAL LOADED POSITION  
 | DENOTES POLARIZING RIB POSITION
- MOLEX HOUSING NO. FOR REFERENCE ONLY

<b>ENTER DESCRIPTION</b> EC NO: IPC2015-1770 DRAWN: J. MURPHY 2015/04/09 CHKD: APPR: SHAMAHAN 2015/06/03 REV: AR	<b>QUALITY SYMBOLS</b> ∇=0 ∇=0	<b>GENERAL TOLERANCES (UNLESS SPECIFIED)</b> mm INCH 4 PLACES ± --- ± --- 3 PLACES ± 0.05 ± --- 2 PLACES ± 0.10 ± --- 1 PLACE ± 0.2 ± --- 0 PLACE ± ±		<b>DIMENSION STYLE</b> MM ONLY DRAWN BY DATE T. TOURISH 2007/07/07 CHECKED BY DATE MNCNAMARA 2007/07/09 APPROVED BY DATE BMAGUIRE 2007/07/09		SCALE 5:1	DESIGN UNITS METRIC	FIRST ANGLE PROJECTION
		APPLI-MATE 2.5 FEMALE G.W.T. 750 VERSION						
		<b>molex</b>						
		DOCUMENT NO. SD-93050-001 SHEET NO. 15 OF 15						

THIS DRAWING CONTAINS INFORMATION THAT IS PROPRIETARY TO MOLEX INCORPORATED AND SHOULD NOT BE USED WITHOUT WRITTEN PERMISSION

## X-ON Electronics

Largest Supplier of Electrical and Electronic Components

*Click to view similar products for [Headers & Wire Housings](#) category:*

*Click to view products by [Molex](#) manufacturer:*

Other Similar products are found below :

[95000-104TRLF](#) [10135584-644402LF](#) [DF62W-EP2022PCA](#) [95000-106TRLF](#) [DF62W-2022SCA](#) [DF62W-EP2022PC](#) [2203348](#) [DF62W-2022SC](#) [1084018](#) [1029039](#) [1084017](#) [802-10-012-10-002000](#) [1112640](#) [1112639](#) [000-34000](#) [0009482033](#) [0009507031](#) [57102-S06-03LF](#) [57202-S52-04LF](#) [PCN6-15S-2.5E](#) [0039019024](#) [58102-G61-06LF](#) [582553-1](#) [0009485154](#) [0009508121](#) [0022285053](#) [0050291907](#) [018731A](#) [LY20-4P-DT1-P1E-BR](#) [02.125.8002.8](#) [60101931](#) [60598-1 \(Cut Strip\)](#) [M1625-3R/100](#) [61062-3](#) [61082-181009](#) [636-1427](#) [638009-1](#) [641938-9](#) [641991-4](#) [644168-1](#) [647662-1](#) [65039-019ELF](#) [65817-002LF](#) [65817-015LF](#) [65863-015LF](#) [66207-023LF](#) [67016-026LF](#) [67046-001LF](#) [67095-007LF](#) [67230-005LF](#)