

RSF100 Series

External Mount Miniature Vertical Switch



- External mount via compression seal
- Compact design with small diameter float
- Available in Nylon, Polypropylene, PPS and PVDF
- WRAS approved versions available

Technical Specification	RSF103	RSF104	RSF108	RSF106	RSF107
Material	Nylon	Polypropylene WRAS approved	Polypropylene UL approved	Polyphenylene Sulphide WRAS/UL	PVDF UL*
Colour	Black	Opaque	White	Grey	Green
Temp. Range °C	-20 / +75	-20 / +100	-20 / +100	-10 / +120*	-10 / +105
Temp. Range °F	-4 / +167	-4 / +212	-4 / +212	+14 / +248*	+14 / +221
Min. Fluid SG	TBC	TBC	TBC	TBC	0.95

* Maximum temperature requires ETFE cable to be specified.

Electrical Specification	25W (Y code)	100W (H code)
Contact Form	N/O (N/C)	N/O (N/C)
Switching Power Max	VA	25
Switching Voltage AC Max	V	240
Switching Voltage DC Max	V	120
Switching Current Max	A	0.6

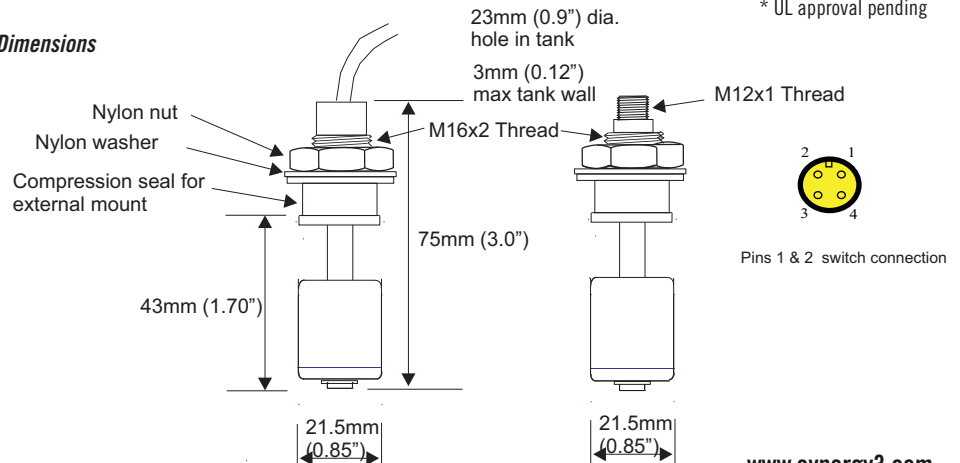
All ratings are for resistive load only.

Standard Parts	Material	Max Power	Leadouts	Gasket
RSF103Y100JN	Nylon	25VA	100cm PVC 2 core 7/0.2	Nitrile
RSF103H100JN	Nylon	100VA	100cm PVC 2 core 7/0.2	Nitrile
RSF104Y100JN	Polypropylene	25VA	100cm PVC 2 core 7/0.2	Nitrile
RSF104H100JN	Polypropylene	100VA	100cm PVC 2 core 7/0.2	Nitrile
RSF106Y100JN	Polyphenylene Sulphide	25VA	100cm PVC 2 core 7/0.2	Nitrile
RSF106Y050TV	Polyphenylene Sulphide	25VA	50cm PTFE 2 core 7/0.2	Viton
RSF106H100JN	Polyphenylene Sulphide	100VA	100cm PVC 2 core 7/0.2	Nitrile
RSF106H050TV	Polyphenylene Sulphide	100VA	50cm PTFE 2 core 7/0.2	Viton
RSF107Y100GN	PVDF	25VA	100cm PTFE 2 core 7/0.2	Nitrile
RSF107H100GN	PVDF	100VA	100cm PTFE 2 core 7/0.2	Nitrile
RSF107Y100GV	PVDF	25VA	100cm PTFE 2 core 7/0.2	Viton
RSF107H100GV	PVDF	100VA	100cm PTFE 2 core 7/0.2	Viton
RSF108Y100JN	Polypropylene	25VA	100cm PVC 2 core 7/0.2	Nitrile
RSF108H100JN	Polypropylene	100VA	100cm PVC 2 core 7/0.2	Nitrile
RSF103YNP	Nylon	25VA	M12 Connector	Nitrile
RSF103HNP	Nylon	100VA	M12 Connector	Nitrile
RSF104YNP	Polypropylene	25VA	M12 Connector	Nitrile
RSF104HNP	Polypropylene	100VA	M12 Connector	Nitrile
RSF106YNP	Polyphenylene Sulphide	25VA	M12 Connector	Nitrile
RSF106HNP	Polyphenylene Sulphide	100VA	M12 Connector	Nitrile
RSF107YNP	PVDF	25VA	M12 Connector	Nitrile
RSF107HNP	PVDF	100VA	M12 Connector	Nitrile
RSF107YVP	PVDF	25VA	M12 Connector	Viton
RSF107HVP	PVDF	100VA	M12 Connector	Viton
RSF108YNP	Polypropylene	25VA	M12 Connector	Nitrile
RSF108HNP	Polypropylene	100VA	M12 Connector	Nitrile

Custom versions can be made for particular applications. Please contact Cynergy3 with your requirements.

* UL approval pending

Mechanical Dimensions



Cynergy3 Components Ltd.
 7 Cobham Road
 Ferndown Industrial Estate
 Wimborne, Dorset BH21 7PE
 Telephone +44 (0) 1202 897969

Email: sales@cynergy3.com

ISO9001 CERTIFIED

RSF100 Series

www.cynergy3.com

X-ON Electronics

Largest Supplier of Electrical and Electronic Components

Click to view similar products for [Other Tools](#) category:

Click to view products by [Cynergy3](#) manufacturer:

Other Similar products are found below :

[CR-05FL7--150R](#) [CR-05FL7--698K](#) [899-2-KT46](#) [899-5-KT46](#) [CR-0AFL4--332K](#) [CR-12FP4--260R](#) [CRCW04021100FRT7](#)
[CRCW04021961FRT7](#) [5800-0090](#) [CRCW04024021FRT7](#) [CRCW040254R9FRT7](#) [CRCW0603102JRT5](#) [59065-5](#) [00-8273-RDPP](#) [00-8729-](#)
[WHPP](#) [593033](#) [593058](#) [593072](#) [593564100](#) [593575](#) [593591](#) [593593](#) [011349-000](#) [LTLA506SBLAMNBL](#) [CRCW08052740FRT1](#) [LUC-](#)
[012S070DSM](#) [LUC-018S070DSP](#) [599-2021-3-NME](#) [599-JJ-2021-03](#) [00-5080-YWPP](#) [5E4750/01-20R0-T/R](#) [LW1A-L1-GL](#) [LW1A-P1-GD](#)
[LW1L-A1C10V-GL](#) [LW1L-M1C70-A](#) [0202-0173](#) [00-9089-RDPP](#) [00-9300-RDPP](#) [CRCW2010331JR02](#) [01-1003W-8/32-10](#) [601-GP-08-](#)
[KT39](#) [601-JJ-06](#) [601-SPB](#) [601YSY](#) [602-JJ-03](#) [602SPB](#) [602Z](#) [603-JJ-07-FP](#) [603-JJY-04](#) [604J](#)