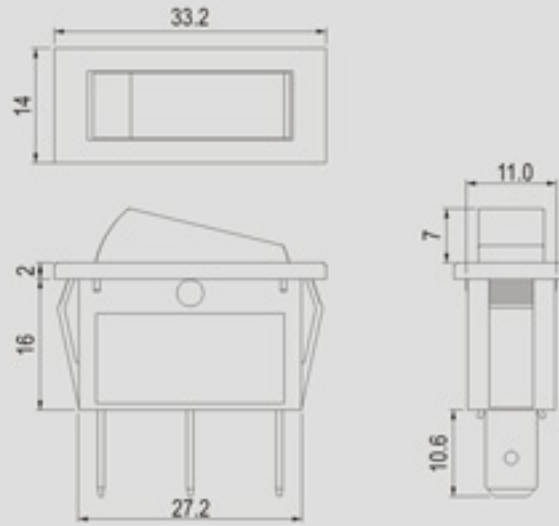


# R13-70.91



<b>Rating</b>
16A 125V AC 1/8HP 125VAC 10A 250V AC 1/3HP 250VAC
<b>Contact resistance</b>
50mΩ Max
<b>Insulation resistance</b>
DC 500V 100MΩ Min
<b>Dielectric strength</b>
AC 1500V 1 minute
<b>Cut-out</b>

## FEATURES

- \* MATERIAL: Frames are nylon (UL flame: 94V-2). Terminals are silver plated brass.
- \* Illuminated actuators are molded in PC, available with red, amber and green colors.
- \* Snap-in mounting, easy to install switch into panel.
- \* The dimension of frame is 33.2\*14, for shorter dimension of frame 31.5\*14, please refer to page 1-23, item NO. R13-221.
- \* **SO terminal is not available for function H & I.**

	X	Y
	X	Y
0.75-1.25	30.2±0.1	11.2±0.1
1.25-2	30.4±0.1	11.2±0.1
2-3	30.8±0.1	11.2±0.1
<b>Cut-out for X8 ROCKER</b>		



	X	Y
	X	Y
0.75-1.25	30.2±0.1	11.2±0.1
1.25-2.0	30.4±0.1	11.2±0.1
2.0-3.0	30.8±0.1	11.2±0.1

## Ordering number instruction

R13-             -      

ROCKER	FUNCTION			TERMINAL
<b>7 0</b> 	<b>Different position (動作特性不同)</b>			<b>0 1</b> .250" SQ
	<b>A</b>  2P SPST	<b>C</b>  3P SPDT	<b>D</b>  3P SPDT	<b>0 5</b> SO
<b>9 1</b> 	<b>Illuminated (帶燈)</b>			
	<b>B</b>  3P SPST (NEON) 125VAC 33KΩ / 250VAC 150KΩ	<b>Momentary / Illuminated (彈回/帶燈)</b>		
	<b>B F</b>  3P SPST (NEON) 125VAC 33KΩ / 250VAC 150KΩ			
	<b>Momentary (彈回)</b>			
	<b>F</b>  2P SPST	<b>H</b>  3P SPDT	<b>I</b>  3P SPDT	
	<b>Waterproof (防水)</b>			
	<b>A 8</b>  2P SPST	<b>B 8</b>  3P SPST (NEON) 125VAC 33KΩ / 250VAC 150KΩ	<b>B 8 F</b>  3P SPST (NEON) 125VAC 33KΩ / 250VAC 150KΩ	
	<b>C 8</b>  3P SPDT	<b>D 8</b>  3P SPDT	<b>F 8</b>  2P SPST	

## X-ON Electronics

Largest Supplier of Electrical and Electronic Components

*Click to view similar products for [Rocker Switches](#) category:*

*Click to view products by [SCI](#) manufacturer:*

Other Similar products are found below :

[VKD2GHNB-00000-000](#) [VSD2GNNB-00000-000](#) [6-1571986-5](#) [6-1571986-9](#) [632422-4B-KD](#) [7036WWCDBX653+U622](#) [8055K52Z7V](#)  
[8138K20E6M50](#) [FMC18A2200002](#) [84206L](#) [84312LX](#) [PREDD4-07F-BB0FW](#) [PREDD5-07F-BB0GW](#) [PRFDD1-16F-BB000](#) [PRFDD3-16F-](#)  
[BB000](#) [1-1634201-0](#) [999-16702-001](#) [A101J2ZQ004](#) [A101J4ZQ004](#) [A101J51CB0004](#) [A107J51ZQ0004](#) [A201J1AQ004](#) [A201J1AV2Q004](#)  
[A201J3ZB004](#) [A201J50ZQ004](#) [A203J51ZQ0004](#) [A226L11YZQ](#) [A22L11A](#) [A435S1YZQ](#) [H8500XBBBBL-A](#) [H8653VBBG2577W](#)  
[HB130CHNWWNAAC](#) [1251.0303](#) [AE205J60V3B004](#) [RH110C2NBB](#) [1352.0107](#) [1363.0201](#) [AML25GBF2AA03GR](#) [1571099-3](#) [1571987-4](#)  
[1571987-5](#) [1571989-7](#) [B123J77V7B2](#) [B226J50W4Q22P](#) [B433J37ZQ22M](#) [160212E](#) [1801.1164](#) [1831.1102](#) [1833.3402](#) [1837.1118](#)