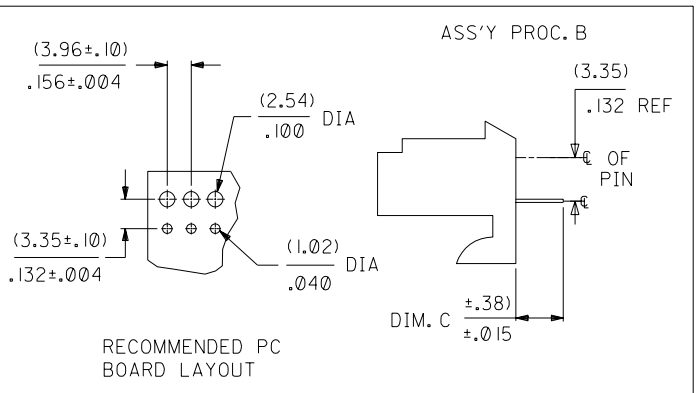
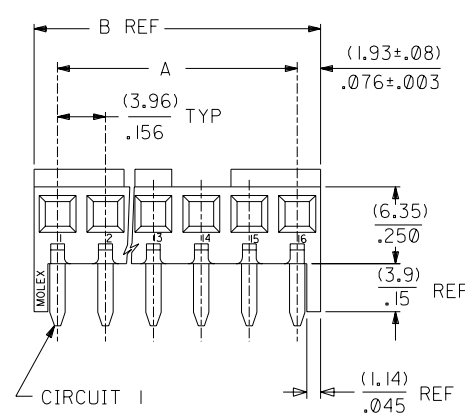
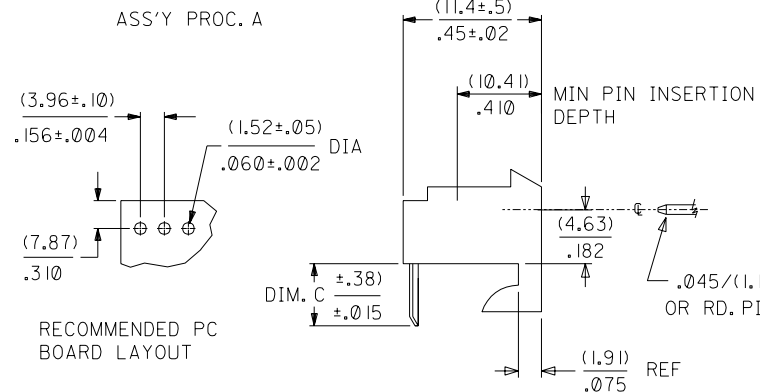
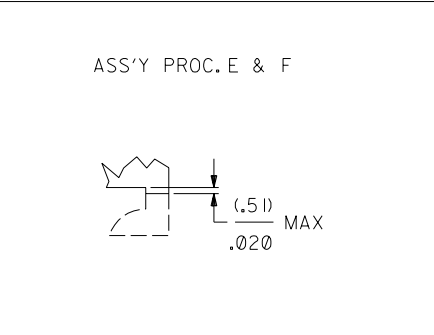
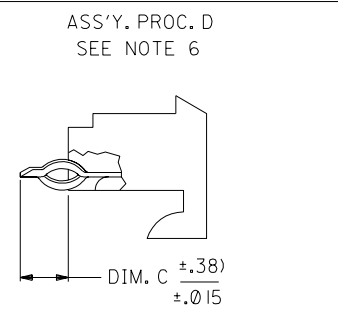
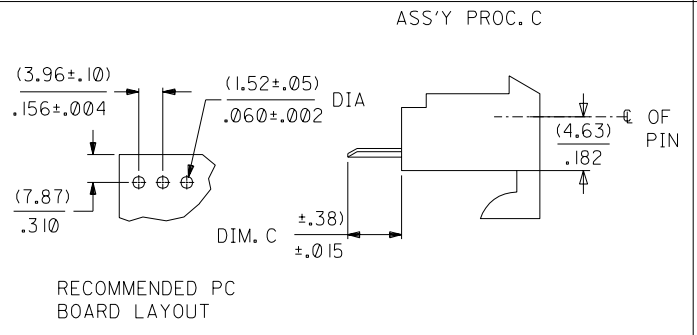


SEE SHEET 3 FOR PART NUMBER LEGEND



NOTES:

1. TERMINALS MUST CONFORM TO SOLDERABILITY SPEC. ES-152.
2. PARTS CONFORM TO PRODUCT SPEC 08-50.
3. HOUSING MATERIAL: NYLON, UL LISTED
6. FOR KINKED PIN INFORMATION SEE SMES-42329-***.



NO. OF CKTS.	DIM. A	DIM. B	KINK PIN LOCATION (ASSY PROC D ONLY)
2	(3.96 ± .13) .156 ± .005	(7.82) .308	N/A
3	(7.92 ± .13) .312 ± .005	(11.79) .464	N/A
4	(11.89 ± .13) .468 ± .005	(15.75) .620	1, 2 3, 4
5	(15.85 ± .13) .624 ± .005	(19.71) .776	2, 3 4, 5
6	(19.81 ± .13) .780 ± .005	(23.67) .932	2, 3 4, 5
7	(23.77 ± .25) .936 ± .010	(27.64) 1.088	2, 3 5, 6
8	(27.74 ± .25) 1.092 ± .010	(31.60) 1.244	2, 3 6, 7
9	(31.70 ± .25) 1.248 ± .010	(35.56) 1.400	2, 3 7, 8
10	(35.66 ± .25) 1.404 ± .010	(39.52) 1.556	2, 3 8, 9
11	(39.62 ± .25) 1.560 ± .010	(43.48) 1.712	2, 3 9, 10
12	(43.59 ± .25) 1.716 ± .010	(47.45) 1.868	2, 3 10, 11
13	(47.55 ± .25) 1.872 ± .010	(51.41) 2.024	2, 3 11, 12
14	(51.51 ± .36) 2.028 ± .014	(55.37) 2.180	2, 3 12, 13
15	(55.47 ± .36) 2.184 ± .014	(59.33) 2.336	2, 3 13, 14
16	(59.44 ± .36) 2.340 ± .014	(63.30) 2.492	2, 3 14, 15

2-*	W
I	W
SHT	REV

DIMENSIONS:
 mm INCH mm mm ONLY
 INCH mm

REV PLTS
 EC NO. UCP2003-1297
 DRWN: SAMIEC 11/26/02
 CHK: SAMIEC 11/26/02
 APPR: MARGULIS 11/26/02

QUALITY SYMBOLS
 MAJOR = 0
 CRITICAL = 0

GENERAL TOLERANCES:
 (UNLESS SPECIFIED)

	mm	INCH
4 PLACES	±0.	±.
3 PLACES	±0.	±.010
2 PLACES	±0.25	±.014
1 PLACE	±0.36	±.

ANGULAR: ±1/2 °

DRAFT WHERE APPLICABLE MUST REMAIN WITHIN DIMENSIONS

SCALE :
 DESIGN UNITS
 mm INCH

THIRD ANGLE PROJECTION

DRAWN BY & DATE
 SAMIEC 7/9/87

CHECKED BY & DATE
 SAMIEC 7/9/87

APPROVED BY & DATE
 MARGULIS 7/9/87

CAD FILENAME

TITLE: KK 156 PCB ASSY
 2145 SERIES DWG

MOLEX INCORPORATED

MATERIAL NO. SEE CHART
 DRAWING NO. SDA-2145
 SHEET NO. 1 OF *

THIS DRAWING CONTAINS INFORMATION THAT IS PROPRIETARY TO MOLEX INCORPORATED AND SHOULD NOT BE USED WITHOUT WRITTEN PERMISSION.

SIZE A



KK 156 PCB ASSY 2-15 CKT

2145 SERIES

SDA-2145- ** N* * - * - *

↑↑ ↑↑↑ ↑↑ ↑↑ ↑↑

ASSY PROCEDURE VOID LOCATION

ASSY PROCEDURE
 A=RIGHT ANGLE
 B=BOTTOM ENTRY
 C=TOP ENTRY
 D=TOP ENTRY/KINKED TAIL
 E=BOTTOM ENTRY /HOOKS CUT
 F=TOP ENTRY / HOOKS CUT

PACKAGING
 BLANK=BULK PER
 PK-2145-001

HOUSING TYPE
 A=2145-N-AN
 RAMPS & HOOKS
 B=2145-NBK-AN
 RAMPS & HOOKS
 DYED BLACK
 G=2145-N-CN
 HOOKS ONLY

NO OF CIRCUITS

TERMINAL TYPE
 A=2144-AA-A1AA*B – BRASS
 B=2144-BA-A1AA*B – PHOS BRONZE
 C=2144-AA-A2AA*B – BRASS
 H=2188-* - BRASS
 J=2188-1* - BRASS
 K=4244-* - BRASS
 L=6298-* - PHOS BRONZE
 N=4244-A* - PHOS BRONZE

PLATING
 102 = 200 M.I. MIN TIN OVER COPPER
 567 = 15 M.I. MIN SELECT GOLD
 100 M.I. MIN SELECT TIN/LEAD

WITH NICKEL UNDERPLATE

Assy Proc:	RIGHT ANGLE
Kinked Term:	NO
Hooks Cut:	NO
Housing No:	2145-**-AN
Terminal No:	2144-BA-A1AA-102B
Dim C:	.145 / 3.68
Plating:	102-TIN
Packaging:	PK-2145-001
Voids:	NO

Assy Proc:	RIGHT ANGLE
Kinked Term:	NO
Hooks Cut:	NO
Housing No:	2145-**-AN
Terminal No:	2144-BA-A1AA567B
Dim C:	.145 / 3.68
Plating:	567-15 GOLD
Packaging:	PK-2145-001
Voids:	NO

Ckts
2
3
4
5
6
7
8
9
10
11
12
13
14
15
16

Material No	Engineer Number
09-52-1026	A-2145-AA02B-102
09-52-1036	A-2145-AA03B-102
09-52-1046	A-2145-AA04B-102
09-52-1056	A-2145-AA05B-102
09-52-1066	A-2145-AA06B-102
09-52-1076	A-2145-AA07B-102
09-52-1086	A-2145-AA08B-102
09-52-1096	A-2145-AA09B-102
09-52-1106	A-2145-AA10B-102
09-52-1116	A-2145-AA11B-102
09-52-1126	A-2145-AA12B-102
09-52-1136	A-2145-AA13B-102
09-52-1146	A-2145-AA14B-102
09-52-1156	A-2145-AA15B-102

Material No	Engineer Number
09-62-4027	A-2145-AA02B-567
09-62-4037	A-2145-AA03B-567
09-62-4047	A-2145-AA04B-567
09-62-4057	A-2145-AA05B-567
09-62-4067	A-2145-AA06B-567
09-62-4077	A-2145-AA07B-567
09-62-4087	A-2145-AA08B-567
09-62-4097	A-2145-AA09B-567
09-62-4107	A-2145-AA10B-567
09-62-4117	A-2145-AA11B-567
09-62-4127	A-2145-AA12B-567
09-62-4137	A-2145-AA13B-567
09-62-4147	A-2145-AA14B-567
09-62-4157	A-2145-AA15B-567

CATALOG PRODUCT

Sheet one is in Microstation or ME10

REV:	W	TITLE:	KK 156 PCB ASSY 2145 SERIES DWG	SHEET No.	- 2 -
	UCP2003-1297 11/24/2003 SAMIEC				
DOCUMENT NUMBER:	SDA-2145	CREATED / REVISED BY:	SAMIEC	CHECKED BY:	SAMIEC
		APPROVED BY:	MARGULIS		



KK 156 PCB ASSY 2-15 CKT

2145 SERIES

Assy Proc:	BOTTOM ENTRY
Kinked Term:	NO
Hooks Cut:	NO
Housing No:	2145-**-AN
Terminal No:	6298-102
Dim C:	.160 / 4.06
Plating:	102-TIN
Packaging:	PK-2145-001
Voids:	NO

Assy Proc:	BOTTOM ENTRY
Kinked Term:	NO
Hooks Cut:	NO
Housing No:	2145-**-AN
Terminal No:	6298-567
Dim C:	.160 / 4.06
Plating:	567-15 GOLD
Packaging:	PK-2145-001
Voids:	NO

Assy Proc:	TOP ENTRY
Kinked Term:	NO
Hooks Cut:	NO
Housing No:	2145-**-AN
Terminal No:	2144-BA-A1AA-102B
Dim C:	.120 / 3.05
Plating:	102 – TIN
Packaging:	PK-2145-001
Voids:	NO

Assy Proc:	TOP ENTRY
Kinked Term:	NO
Hooks Cut:	NO
Housing No:	2145-**-AN
Terminal No:	2144-BA-A1AA-567B
Dim C:	.120 / 3.05
Plating:	567 – 15 GOLD
Packaging:	PK-2145-001
Voids:	NO

Ckts	Material No	Engineer Number	Material No	Engineer Number	Material No	Engineer Number	Material No	Engineer Number
2	09-62-6024	A-2145-BA02L-102	09-62-4028	A-2145-BA02L-567	09-62-6025	A-2145-CA02B-102	09-62-4029	A-2145-CA 02B-567
3	09-62-6034	A-2145-BA 03L-102	09-62-4038	A-2145-BA 03L-567	09-62-6035	A-2145-CA 03 B-102	09-62-4039	A-2145-CA 03 B-567
4	09-62-6044	A-2145-BA 04L-102	09-62-4048	A-2145-BA 04L-567	09-62-6045	A-2145-CA 04 B-102	09-62-4049	A-2145-CA 04 B-567
5	09-62-6054	A-2145-BA 05L-102	09-62-4058	A-2145-BA 05L-567	09-62-6055	A-2145-CA 05 B-102	09-62-4059	A-2145-CA 05 B-567
6	09-62-6064	A-2145-BA 06L-102	09-62-4068	A-2145-BA 06L-567	09-62-6065	A-2145-CA 06 B-102	09-62-4069	A-2145-CA 06 B-567
7	09-62-6074	A-2145-BA 07L-102	09-62-4078	A-2145-BA 07L-567	09-62-6075	A-2145-CA 07 B-102	09-62-4079	A-2145-CA 07 B-567
8	09-62-6084	A-2145-BA 08L-102	09-62-4088	A-2145-BA 08L-567	09-62-6085	A-2145-CA 08 B-102	09-62-4089	A-2145-CA 08 B-567
9	09-62-6094	A-2145-BA 09L-102	09-62-4098	A-2145-BA 09L-567	09-62-6095	A-2145-CA 09 B-102	09-62-4099	A-2145-CA 09 B-567
10	09-62-6104	A-2145-BA 10L-102	09-62-4108	A-2145-BA 10L-567	09-62-6105	A-2145-CA 10 B-102	09-62-4109	A-2145-CA 10 B-567
11	09-62-6114	A-2145-BA 11L-102	09-62-4118	A-2145-BA 11L-567	09-62-6115	A-2145-CA 11 B-102	09-62-4119	A-2145-CA 11 B-567
12	09-62-6124	A-2145-BA 12L-102	09-62-4128	A-2145-BA 12L-567	09-62-6125	A-2145-CA 12 B-102	09-62-4129	A-2145-CA 12 B-567
13	09-62-6134	A-2145-BA 13L-102	09-62-4138	A-2145-BA 13L-567	09-62-6135	A-2145-CA 13 B-102	09-62-4139	A-2145-CA 13 B-567
14	09-62-6144	A-2145-BA 14L-102	09-62-4148	A-2145-BA 14L-567	09-62-6145	A-2145-CA 14 B-102	09-62-4149	A-2145-CA 14 B-567
15	09-62-6154	A-2145-BA 15L-102	09-62-4158	A-2145-BA 15L-567	09-62-6155	A-2145-CA 15 B-102	09-62-4159	A-2145-CA 15 B-567

CATALOG PRODUCTS

REV:	W	TITLE:	KK 156 PCB ASSY 2145 SERIES DWG	SHEET No.	- 3 -
	UCP2003-1297 11/24/2003 SAMIEC				
DOCUMENT NUMBER:	SDA-2145	CREATED / REVISED BY:	SAMIEC	CHECKED BY:	SAMIEC
				APPROVED BY:	MARGULIS



KK 156 PCB ASSY 2-15 CKT

2145 SERIES

	Assy Proc:	RIGHT ANGLE		Assy Proc:	RIGHT ANGLE		Assy Proc:	RIGHT ANGLE		Assy Proc:	RIGHT ANGLE
	Kinked Term:	NO		Kinked Term:	NO		Kinked Term:	NO		Kinked Term:	NO
	Hooks Cut:	NO		Hooks Cut:	NO		Hooks Cut:	NO		Hooks Cut:	NO
	Housing No:	2145-**-AN		Housing No:	2145-**-AN		Housing No:	2145-**-AN		Housing No:	2145-**-AN
	Terminal No:	2144-AA-A1AA-102B		Terminal No:	2144-AA-A1AA-122B		Terminal No:	2144-BA-A1AA-558B		Terminal No:	2144-AA-A1AA-P913B
	Dim C:	.145 / 3.68		Dim C:	.145 / 3.68		Dim C:	.145 / 3.68		Dim C:	.145 / 3.68
	Plating:	102 – TIN		Plating:	122 – TIN		Plating:	558 – 30 GOLD		Plating:	P913- TIN/LEAD
	Packaging:	PK-2145-001		Packaging:	PK-2145-001		Packaging:	PK-2145-001		Packaging:	PK-2145-001
	Voids:	NO		Voids:	NO		Voids:	NO		Voids:	NO
Ckts	Material No	Engineer Number	Material No	Engineer Number	Material No	Engineer Number	Material No	Engineer Number	Material No	Engineer Number	
2	09-52-1021	A-2145-AA02A-102	09-86-3021	A-2145-AA 02A-122	09-62-3025	A-2145-AA02B-558	09-52-3021	A-2145-AA02A-P913			
3	09-52-1031	A-2145-AA 03 A-102	09-86-3031	A-2145-AA 03 A-122	09-62-3035	A-2145-AA 03 B-558	09-52-3031	A-2145-AA 03 A-P913			
4	09-52-1041	A-2145-AA 04 A-102	09-86-3041	A-2145-AA 04 A-122	09-62-3045	A-2145-AA 04 B-558	09-52-3041	A-2145-AA 04 A-P913			
5	09-52-1051	A-2145-AA 05 A-102	09-86-3051	A-2145-AA 05 A-122	09-62-3055	A-2145-AA 05 B-558	09-52-3051	A-2145-AA 05 A-P913			
6	09-52-1061	A-2145-AA 06 A-102	09-86-3061	A-2145-AA 06 A-122	09-62-3065	A-2145-AA 06 B-558	09-52-3061	A-2145-AA 06 A-P913			
7	09-52-1071	A-2145-AA 07 A-102	09-86-3071	A-2145-AA 07 A-122	09-62-3075	A-2145-AA 07 B-558	09-52-3071	A-2145-AA 07 A-P913			
8	09-52-1081	A-2145-AA 08 A-102	09-86-3081	A-2145-AA 08 A-122	09-62-3085	A-2145-AA 08 B-558	09-52-3081	A-2145-AA 08 A-P913			
9	09-52-1091	A-2145-AA 09 A-102	09-86-3091	A-2145-AA 09 A-122	09-62-3095	A-2145-AA 09 B-558	09-52-3091	A-2145-AA 09 A-P913			
10	09-52-1101	A-2145-AA 10 A-102	09-86-3101	A-2145-AA 10 A-122	09-62-3105	A-2145-AA 10 B-558	09-52-3101	A-2145-AA 10 A-P913			
11	09-52-1111	A-2145-AA 11 A-102	09-86-3111	A-2145-AA 11 A-122	09-62-3115	A-2145-AA 11 B-558	09-52-3111	A-2145-AA 11 A-P913			
12	09-52-1121	A-2145-AA 12 A-102	09-86-3121	A-2145-AA 12 A-122	09-62-3125	A-2145-AA 12 B-558	09-52-3121	A-2145-AA 12 A-P913			
13	09-52-1131	A-2145-AA 13 A-102	09-86-3131	A-2145-AA 13 A-122	09-62-3135	A-2145-AA 13 B-558	09-52-3131	A-2145-AA 13 A-P913			
14	09-52-1141	A-2145-AA 14 A-102	09-86-3141	A-2145-AA 14 A-122	09-62-3145	A-2145-AA 14 B-558	09-52-3141	A-2145-AA 14 A-P913			
15	09-52-1151	A-2145-AA 15 A-102	09-86-3151	A-2145-AA 15 A-122	09-62-3155	A-2145-AA 15 B-558	09-52-3151	A-2145-AA 15 A-P913			

CUSTOM OPTIONS

REV:	W	UCP2003-1297 11/24/2003 SAMIEC	TITLE:	KK 156 PCB ASSY 2145 SERIES DWG	SHEET No.
					- 4 -
DOCUMENT NUMBER:	SDA-2145	CREATED / REVISED BY:	SAMIEC	CHECKED BY:	SAMIEC
		APPROVED BY:	MARGULIS		



KK 156 PCB ASSY 2-15 CKT

2145 SERIES

	Assy Proc:	RIGHT ANGLE	Assy Proc:	RIGHT ANGLE	Assy Proc:	RIGHT ANGLE	Assy Proc:	BOTTOM ENTRY
	Kinked Term:	NO	Kinked Term:	NO	Kinked Term:	NO	Kinked Term:	NO
	Hooks Cut:	NO	Hooks Cut:	NO	Hooks Cut:	NO	Hooks Cut:	NO
	Housing No:	2145-**-BK-AN	Housing No:	2145-**-AN	Housing No:	2145-**-CN	Housing No:	2145-**-AN
	Terminal No:	2144-AA-A1AA-P913B	Terminal No:	2144-AA-A1AA-567B	Terminal No:	2144-AA-A1AA-P913B	Terminal No:	6298-P913
	Dim C:	.145 / 3.68	Dim C:	.145 / 3.68	Dim C:	.145 / 3.68	Dim C:	.160 / 4.06
	Plating:	P913 – TIN/LEAD	Plating:	567 – 15 GOLD	Plating:	P913 – TIN/LEAD	Plating:	P913 – TIN/LEAD
	Packaging:	PK-2145-001	Packaging:	PK-2145-001	Packaging:	PK-2145-001	Packaging:	PK-2145-001
	Voids:	NO	Voids:	NO	Voids:	NO	Voids:	NO
Ckts	Material No	Engineer Number	Material No	Engineer Number	Material No	Engineer Number	Material No	Engineer Number
2	09-53-3021	A-2145-AB 02 A-P913	09-62-3021	A-2145-AA02A-567		A-2145-AG02A-P913	09-52-2028	A-2145-BA02L-P913
3	09-53-3031	A-2145-AB 03 A-P913	09-62-3031	A-2145-AA 03 A-567		A-2145-AG 03 A-P913	09-52-2038	A-2145-BA 03 L-P913
4	09-53-3041	A-2145-AB 04 A-P913	09-62-3041	A-2145-AA 04 A-567		A-2145-AG 04 A-P913	09-52-2048	A-2145-BA 04 L-P913
5	09-53-3051	A-2145-AB 05 A-P913	09-62-3051	A-2145-AA 05 A-567		A-2145-AG 05 A-P913	09-52-2058	A-2145-BA 05 L-P913
6	09-53-3061	A-2145-AB 06 A-P913	09-62-3061	A-2145-AA 06 A-567		A-2145-AG 06 A-P913	09-52-2068	A-2145-BA 06 L-P913
7	09-53-3071	A-2145-AB 07 A-P913	09-62-3071	A-2145-AA 07 A-567		A-2145-AG 07 A-P913	09-52-2078	A-2145-BA 07 L-P913
8	09-53-3081	A-2145-AB 08 A-P913	09-62-3081	A-2145-AA 08 A-567		A-2145-AG 08 A-P913	09-52-2088	A-2145-BA 08 L-P913
9	09-53-3091	A-2145-AB 09 A-P913	09-62-3091	A-2145-AA 09 A-567	09-52-2097	A-2145-AG 09 A-P913	09-52-2098	A-2145-BA 09 L-P913
10	09-53-3101	A-2145-AB 10 A-P913	09-62-3101	A-2145-AA 10 A-567		A-2145-AG 10 A-P913	09-52-2108	A-2145-BA 10 L-P913
11	09-53-3111	A-2145-AB 11 A-P913	09-62-3111	A-2145-AA 11 A-567		A-2145-AG 11 A-P913	09-52-2118	A-2145-BA 11 L-P913
12	09-53-3121	A-2145-AB 12 A-P913	09-62-3121	A-2145-AA 12 A-567		A-2145-AG 12 A-P913	09-52-2128	A-2145-BA 12 L-P913
13	09-53-3131	A-2145-AB 13 A-P913	09-62-3131	A-2145-AA 13 A-567		A-2145-AG 13 A-P913	09-52-2138	A-2145-BA 13 L-P913
14	09-53-3141	A-2145-AB 14 A-P913	09-62-3141	A-2145-AA 14 A-567		A-2145-AG 14 A-P913	09-52-2148	A-2145-BA 14 L-P913
15	09-53-3151	A-2145-AB 15 A-P913	09-62-3151	A-2145-AA 15 A-567		A-2145-AG 15 A-P913	09-52-2158	A-2145-BA 15 L-P913

CUSTOM OPTION

REV:	W	UCP2003-1297 11/24/2003 SAMIEC	TITLE:	KK 156 PCB ASSY 2145 SERIES DWG	SHEET No. - 5 -
DOCUMENT NUMBER:	SDA-2145	CREATED / REVISED BY:	SAMIEC	CHECKED BY:	SAMIEC
		APPROVED BY:		MARGULIS	



KK 156 PCB ASSY 2-15 CKT

2145 SERIES

	Assy Proc:	TOP ENTRY	Assy Proc:	TOP ENTRY	Assy Proc:	TOP ENTRY	Assy Proc:	BOTTOM ENRTY
	Kinked Term:	NO	Kinked Term:	NO	Kinked Term:	NO	Kinked Term:	NO
	Hooks Cut:	NO	Hooks Cut:	NO	Hooks Cut:	YES	Hooks Cut:	NO
	Housing No:	2145-**-AN	Housing No:	2145-**-AN	Housing No:	2145-**-AN	Housing No:	2145-**-AN
	Terminal No:	2144-AA-A1AA-102B	Terminal No:	2144-AA-A2AA-P913	Terminal No:	2144-AA-A1AA-P913B	Terminal No:	2188-P913
	Dim C:	.120 / 3.05	Dim C:	.189 / 4.80	Dim C:	.120 / 3.05	Dim C:	.160 / 4.06
	Plating:	102 – TIN	Plating:	P913 – TIN/LEAD	Plating:	P913 – TIN/LEAD	Plating:	P913 – TIN/LEAD
	Packaging:	PK-2145-001	Packaging:	PK-2145-001	Packaging:	PK-2145-001	Packaging:	PK-2145-001
	Voids:	NO	Voids:	NO	Voids:	NO	Voids:	NO
Ckts	Material No	Engineer Number	Material No	Engineer Number	Material No	Engineer Number	Material No	Engineer Number
2	09-52-1023	A-2145-CA02A-102	09-52-1029	A-2145-CA02C-P913		A-2145-FA02A-P913	09-52-3022	A-2145-BA02H-P913
3	09-52-1033	A-2145-CA 03 A-102	09-52-1039	A-2145-CA 03 C-P913	09-52-3034	A-2145-FA 03 A-P913	09-52-3032	A-2145-BA 03 H-P913
4	09-52-1043	A-2145-CA 04 A-102	09-52-1049	A-2145-CA 04 C-P913	09-52-3044	A-2145-FA 04 A-P913	09-52-3042	A-2145-BA 04 H-P913
5	09-52-1053	A-2145-CA 05 A-102	09-52-1059	A-2145-CA 05 C-P913	09-52-3054	A-2145-FA 05 A-P913	09-52-3052	A-2145-BA 05 H-P913
6	09-52-1063	A-2145-CA 06 A-102	09-52-1069	A-2145-CA 06 C-P913	09-52-3064	A-2145-FA 06 A-P913	09-52-3062	A-2145-BA 06 H-P913
7	09-52-1073	A-2145-CA 07 A-102	09-52-1079	A-2145-CA 07 C-P913		A-2145-FA 07 A-P913	09-52-3072	A-2145-BA 07 H-P913
8	09-52-1083	A-2145-CA 08 A-102	09-52-1089	A-2145-CA 08 C-P913	09-52-3089	A-2145-FA 08 A-P913	09-52-3082	A-2145-BA 08 H-P913
9	09-52-1093	A-2145-CA 09 A-102	09-52-1099	A-2145-CA 09 C-P913	09-52-3094	A-2145-FA 09 A-P913	09-52-3092	A-2145-BA 09 H-P913
10	09-52-1103	A-2145-CA 10 A-102	09-52-1109	A-2145-CA 10 C-P913		A-2145-FA 10 A-P913	09-52-3102	A-2145-BA 10 H-P913
11	09-52-1113	A-2145-CA 11 A-102	09-52-1119	A-2145-CA 11 C-P913		A-2145-FA 11 A-P913	09-52-3112	A-2145-BA 11 H-P913
12	09-52-1123	A-2145-CA 12 A-102	09-52-1129	A-2145-CA 12 C-P913		A-2145-FA 12 A-P913	09-52-3122	A-2145-BA 12 H-P913
13	09-52-1133	A-2145-CA 13 A-102	09-52-1139	A-2145-CA 13 C-P913		A-2145-FA 13 A-P913	09-52-3132	A-2145-BA 13 H-P913
14	09-52-1143	A-2145-CA 14 A-102	09-52-1149	A-2145-CA 14 C-P913		A-2145-FA 14 A-P913	09-52-3142	A-2145-BA 14 H-P913
15	09-52-1153	A-2145-CA 15 A-102	09-52-1159	A-2145-CA 15 C-P913		A-2145-FA 15 A-P913	09-52-3152	A-2145-BA 15 H-P913

CUSTOM OPTIONS

REV:	W	UCP2003-1297 11/24/2003 SAMIEC	TITLE:	KK 156 PCB ASSY 2145 SERIES DWG	SHEET No. - 6 -
DOCUMENT NUMBER:	SDA-2145	CREATED / REVISED BY:	SAMIEC	CHECKED BY:	SAMIEC
		APPROVED BY:		MARGULIS	



KK 156 PCB ASSY 2-15 CKT

2145 SERIES

Assy Proc:	BOTTOM ENTRY
Kinked Term:	NO
Hooks Cut:	NO
Housing No:	2145-**-AN
Terminal No:	2188-567
Dim C:	.160 / 4.06
Plating:	567 – 15 GOLD
Packaging:	PK-2145-001
Voids:	NO

Assy Proc:	RIGHT ANGLE
Kinked Term:	NO
Hooks Cut:	NO
Housing No:	2145-**-AN
Terminal No:	4244-P913
Dim C:	.145 / 3.68
Plating:	P913 – TIN/LEAD
Packaging:	PK-2145-001
Voids:	NO

Assy Proc:	TOP ENTRY
Kinked Term:	NO
Hooks Cut:	NO
Housing No:	2145-**-AN
Terminal No:	2144-AA-A1AA-P913B
Dim C:	.120 / 3.05
Plating:	P913 – TIN/LEAD
Packaging:	PK-2145-001
Voids:	NO

Assy Proc:	RIGHT ANGLE
Kinked Term:	NO
Hooks Cut:	NO
Housing No:	2145-**-AN
Terminal No:	2144-BA-A1AA-122B
Dim C:	.145 / 3.68
Plating:	122 – TIN
Packaging:	PK-2145-001
Voids:	NO

Ckts	Material No	Engineer Number	Material No	Engineer Number	Material No	Engineer Number	Material No	Engineer Number
2	09-62-3022	A-2145-BA02H-567		A-2145-AA02K-P913	09-52-3023	A-2145-CA02A-P913		A-2145-AA02B-122
3	09-62-3032	A-2145-BA 03 H-567	09-52-3035	A-2145-AA 03 K-P913	09-52-3033	A-2145-CA 03 A-P913		A-2145-AA 03 B-122
4	09-62-3042	A-2145-BA 04 H-567	09-52-3045	A-2145-AA 04 K-P913	09-52-3043	A-2145-CA 04 A-P913	09-86-3044	A-2145-AA 04 B-122
5	09-62-3052	A-2145-BA 05 H-567	09-52-3055	A-2145-AA 05 K-P913	09-52-3053	A-2145-CA 05 A-P913	09-86-3054	A-2145-AA 05 B-122
6	09-62-3062	A-2145-BA 06 H-567	09-52-3065	A-2145-AA 06 K-P913	09-52-3063	A-2145-CA 06 A-P913	09-86-3064	A-2145-AA 06 B-122
7	09-62-3072	A-2145-BA 07 H-567		A-2145-AA 07 K-P913	09-52-3073	A-2145-CA 07 A-P913		A-2145-AA 07 B-122
8	09-62-3082	A-2145-BA 08 H-567	09-52-3085	A-2145-AA 08 K-P913	09-52-3083	A-2145-CA 08 A-P913	09-86-3084	A-2145-AA 08 B-122
9	09-62-3092	A-2145-BA 09 H-567	09-52-3095	A-2145-AA 09 K-P913	09-52-3093	A-2145-CA 09 A-P913		A-2145-AA 09 B-122
10	09-62-3102	A-2145-BA 10 H-567	09-52-3105	A-2145-AA 10 K-P913	09-52-3103	A-2145-CA 10 A-P913	09-86-3104	A-2145-AA 10 B-122
11	09-62-3112	A-2145-BA 11 H-567		A-2145-AA 11 K-P913	09-52-3113	A-2145-CA 11 A-P913		A-2145-AA 11 B-122
12	09-62-3122	A-2145-BA 12 H-567	09-52-3125	A-2145-AA 12 K-P913	09-52-3123	A-2145-CA 12 A-P913	09-86-3124	A-2145-AA 12 B-122
13	09-62-3132	A-2145-BA 13 H-567		A-2145-AA 13 K-P913	09-52-3133	A-2145-CA 13 A-P913		A-2145-AA 13 B-122
14	09-62-3142	A-2145-BA 14 H-567		A-2145-AA 14 K-P913	09-52-3143	A-2145-CA 14 A-P913		A-2145-AA 14 B-122
15	09-62-3152	A-2145-BA 15 H-567	09-52-3155	A-2145-AA 15 K-P913	09-52-3153	A-2145-CA 15 A-P913		A-2145-AA 15 B-122

CUSTOM OPTIONS

REV: W	UCP2003-1297 11/24/2003 SAMIEC	TITLE: KK 156 PCB ASSY 2145 SERIES DWG	SHEET No. - 7 -
DOCUMENT NUMBER: SDA-2145		CREATED / REVISED BY: SAMIEC	CHECKED BY: SAMIEC
		APPROVED BY: MARGULIS	



KK 156 PCB ASSY 2-15 CKT

2145 SERIES

Assy Proc:	TOP ENTRY
Kinked Term:	NO
Hooks Cut:	YES
Housing No:	A-2145-**-CN
Terminal No:	2144-AA-A1AA-P913B
Dim C:	.120 / 3.05
Plating:	P913 – TIN/LEAD
Packaging:	PK-2145-001
Voids:	NO

Assy Proc:	TOP ENTRY
Kinked Term:	NO
Hooks Cut:	NO
Housing No:	2145-**-AN
Terminal No:	2144-AA-A1AA-567B
Dim C:	.120 / 3.05
Plating:	567 – 15 GOLD
Packaging:	PK-2145-001
Voids:	NO

Assy Proc:	RIGHT ANGLE
Kinked Term:	NO
Hooks Cut:	NO
Housing No:	2145-**-AN
Terminal No:	2144-BA-A1AA-P913B
Dim C:	.145 / 3.68
Plating:	P913 – TIN/LEAD
Packaging:	PK-2145-001
Voids:	NO

Assy Proc:	RIGHT ANGLE
Kinked Term:	NO
Hooks Cut:	NO
Housing No:	2145-**-AN
Terminal No:	4244-A102
Dim C:	.145 / 3.68
Plating:	102 – TIN
Packaging:	PK-2145-001
Voids:	NO

Ckts	Material No	Engineer Number	Material No	Engineer Number	Material No	Engineer Number	Material No	Engineer Number
2	09-52-1025	A-2145-FG02A-P913	09-62-3023	A-2145-CA02A-567	09-52-3028	A-2145-AA02B-P913	50-29-0036	A-2145-AA 02N-102
3	09-52-1035	A-2145-FG 03 A-P913	09-62-3033	A-2145-CA 03 A-567	09-52-3038	A-2145-AA 03 B-P913	50-29-0037	A-2145-AA 03 N-102
4	09-52-1045	A-2145-FG 04 A-P913	09-62-3043	A-2145-CA 04 A-567	09-52-3048	A-2145-AA 04 B-P913	50-29-0038	A-2145-AA 04 N-102
5	09-52-1055	A-2145-FG 05 A-P913	09-62-3053	A-2145-CA 05 A-567	09-52-3058	A-2145-AA 05 B-P913	50-29-0039	A-2145-AA 05 N-102
6	09-52-1065	A-2145-FG 06 A-P913	09-62-3063	A-2145-CA 06 A-567	09-52-3068	A-2145-AA 06 B-P913	09-52-1060	A-2145-AA 06 N-102
7	09-52-1075	A-2145-FG 07 A-P913	09-62-3073	A-2145-CA 07 A-567	09-52-3078	A-2145-AA 07 B-P913	50-29-0040	A-2145-AA 07 N-102
8	09-52-1085	A-2145-FG 08 A-P913	09-62-3083	A-2145-CA 08 A-567	09-52-3088	A-2145-AA 08 B-P913	09-52-1080	A-2145-AA 08 N-102
9	09-52-1095	A-2145-FG 09 A-P913	09-62-3093	A-2145-CA 09 A-567	09-52-3098	A-2145-AA 09 B-P913	50-29-0041	A-2145-AA 09 N-102
10	09-52-1105	A-2145-FG 10 A-P913	09-62-3103	A-2145-CA 10 A-567	09-52-3108	A-2145-AA 10 B-P913	09-52-1100	A-2145-AA 10 N-102
11	09-52-1115	A-2145-FG 11 A-P913	09-62-3113	A-2145-CA 11 A-567	09-52-3118	A-2145-AA 11 B-P913	50-29-0042	A-2145-AA 11 N-102
12	09-52-1125	A-2145-FG 12 A-P913	09-62-3123	A-2145-CA 12 A-567	09-52-3128	A-2145-AA 12 B-P913	09-52-1120	A-2145-AA 12 N-102
13	09-52-1135	A-2145-FG 13 A-P913	09-62-3133	A-2145-CA 13 A-567	09-52-3138	A-2145-AA 13 B-P913	50-29-0043	A-2145-AA 13 N-102
14	09-52-1145	A-2145-FG 14 A-P913	09-62-3143	A-2145-CA 14 A-567	09-52-3148	A-2145-AA 14 B-P913	09-52-1140	A-2145-AA 14 N-102
15	09-52-1155	A-2145-FG 15 A-P913	09-62-3153	A-2145-CA 15 A-567	09-52-3158	A-2145-AA 15 B-P913	50-29-0044	A-2145-AA 15 N-102

CUSTOM OPTIONS

REV: W	UCP2003-1297 11/24/2003 SAMIEC	TITLE: KK 156 PCB ASSY 2145 SERIES DWG	SHEET No. - 8 -
DOCUMENT NUMBER: SDA-2145		CREATED / REVISED BY: SAMIEC	CHECKED BY: SAMIEC
		APPROVED BY: MARGULIS	



KK 156 PCB ASSY 2-15 CKT

2145 SERIES

Assy Proc:	BOTTOM ENTRY
Kinked Term:	NO
Hooks Cut:	NO
Housing No:	2145-**-AN
Terminal No:	2188-1-P913
Dim C:	.126 / 3.20
Plating:	P913 – TIN/LEAD
Packaging:	PK-2145-001
Voids:	NO

Assy Proc:	TOP ENTRY
Kinked Term:	NO
Hooks Cut:	NO
Housing No:	2145-**-AN
Terminal No:	2144-BA-A1AA-P913B
Dim C:	.120 / 3.05
Plating:	P913 – TIN/LEAD
Packaging:	PK-2145-001
Voids:	NO

Assy Proc:	
Kinked Term:	
Hooks Cut:	
Housing No:	
Terminal No:	
Dim C:	
Plating:	
Packaging:	
Voids:	

Assy Proc:	
Kinked Term:	
Hooks Cut:	
Housing No:	
Terminal No:	
Dim C:	
Plating:	
Packaging:	
Voids:	

Ckts	Material No	Engineer Number	Material No	Engineer Number	Material No	Engineer Number	Material No	Engineer Number
2	09-52-5022	A-2145-BA02J-P913	09-52-2029	A-2145-CA02B-P913				
3	09-52-5032	A-2145-BA 03 J-P913	09-52-2039	A-2145-CA 03 B-P913				
4	09-52-5042	A-2145-BA 04 J-P913	09-52-2049	A-2145-CA 04 B-P913				
5	09-52-5052	A-2145-BA 05 J-P913	09-52-2059	A-2145-CA 05 B-P913				
6	09-52-5062	A-2145-BA 06 J-P913	09-52-2069	A-2145-CA 06 B-P913				
7	09-52-5072	A-2145-BA 07 J-P913	09-52-2079	A-2145-CA 07 B-P913				
8	09-52-5082	A-2145-BA 08 J-P913	09-52-2089	A-2145-CA 08 B-P913				
9	09-52-5092	A-2145-BA 09 J-P913	09-52-2099	A-2145-CA 09 B-P913				
10	09-52-5102	A-2145-BA 10 J-P913	09-52-2109	A-2145-CA 10 B-P913				
11	09-52-5112	A-2145-BA 11 J-P913	09-52-2119	A-2145-CA 11 B-P913				
12	09-52-5122	A-2145-BA 12 J-P913	09-52-2129	A-2145-CA 12 B-P913				
13	09-52-5132	A-2145-BA 13 J-P913	09-52-2139	A-2145-CA 13 B-P913				
14	09-52-5142	A-2145-BA 14 J-P913	09-52-2149	A-2145-CA 14 B-P913				
15	09-52-5152	A-2145-BA 15 J-P913	09-52-2159	A-2145-CA 15 B-P913				

CUSTOM OPTIONS

REV:	W	UCP2003-1297 11/24/2003 SAMIEC	TITLE:	KK 156 PCB ASSY 2145 SERIES DWG	SHEET No.	- 9 -	
DOCUMENT NUMBER:	SDA-2145	CREATED / REVISED BY:	SAMIEC	CHECKED BY:	SAMIEC	APPROVED BY:	MARGULIS



KK 156 PCB ASSY 2-15 CKT

2145 SERIES

Assy Proc:	Assy Proc:	Assy Proc:	Assy Proc:
Kinked Term:	Kinked Term:	Kinked Term:	Kinked Term:
Hooks Cut:	Hooks Cut:	Hooks Cut:	Hooks Cut:
Housing No:	Housing No:	Housing No:	Housing No:
Terminal No:	Terminal No:	Terminal No:	Terminal No:
Dim C:	Dim C:	Dim C:	Dim C:
Plating:	Plating:	Plating:	Plating:
Packaging:	Packaging:	Packaging:	Packaging:
Voids:	Voids:	Voids:	Voids:

Ckts	Material No	Engineer Number	Material No	Engineer Number	Material No	Engineer Number	Material No	Engineer Number
2								
3								
4								
5								
6								
7								
8								
9								
10								
11								
12								
13								
14								
15								

REV:	W	TITLE:	KK 156 PCB ASSY 2145 SERIES DWG	SHEET No.	- 10 -
DOCUMENT NUMBER:		CREATED / REVISED BY:		CHECKED BY:	
SDA-2145		SAMIEC		SAMIEC	
			APPROVED BY:		
			MARGULIS		

	13	12	11	10	9	8	7	6	5	4	3	2	1	
	ENG. NO.		HOUSING NO.		TERMINAL NO.		DIM. C		EDP ON SHT/COL					
J	A-2145-AANA(102)-*		2145-N-AN		2144-AA-A IAA-102B		(3.68) / .145		7 / 1					J
	A-2145-AANA(122)-*		2145-N-AN		2144-AA-A IAA-122B		(3.68) / .145		7 / 2					
	A-2145-AANA(505)-*		2145-N-AN		2144-AA-A IAA-505B		(3.68) / .145		7 / 3					
	A-2145-AANA(507)-*		2145-N-AN		2144-AA-A IAA-507B		(3.68) / .145		7 / 4					
I	A-2145-AANB(558)-*		2145-N-AN		2144-BA-A IAA-558B		(3.68) / .145		8 / 1					I
	A-2145-AANA(P913)-*		2145-N-AN		2144-AA-A IAA-P913B		(3.68) / .145		8 / 2					
	A-2145-ABNA(122)-*		2145-NBK-AN		2144-AA-A IAA-122B		(3.68) / .145		8 / 3					
	A-2145-ABNA(P913)-*		2145-NBK-AN		2144-AA-A IAA-P913B		(3.68) / .145		8 / 4					
	A-2145-AANA(587)-*		2145-N-AN		2144-AA-A IAA-587B		(3.68) / .145		9 / 1					
	A-2145-AGNA(P913)-*		2145-N-CN		2144-AA-A IAA-587B		(3.68) / .145		9 / 2					
H	A-2145-BANH(102)-*		2145-N-AN		2188-(102)		(4.06) / .160		9 / 3					H
	A-2145-BANH(122)-*		2145-N-AN		2188-(122)		(4.06) / .160		9 / 4					
	A-2145-BANL(P913)-*		2145-N-AN		6298-(P913)		(4.06) / .160		10 / 1					
	A-2145-BANL(565)-*		2145-N-AN		6298-(565)		(4.06) / .160		10 / 2					
	A-2145-BBNH(122)-*		2145-NBK-AN		2188-(122)		(4.06) / .160		10 / 3					
G	A-2145-CANA(102)-*		2145-N-AN		2144-AA-A IAA-102B		(3.05) / .120		10 / 4					G
	A-2145-CANA(122)-*		2145-N-AN		2144-AA-A IAA-122B		(3.05) / .120		11 / 1					
	A-2145-CANB(565)-*		2145-N-AN		2144-BA-A IAA-565B		(3.05) / .120		11 / 2					
	A-2145-CANC(P913)-*		2145-N-AN		2144-AA-A2AA-P913B		(4.80) / .189		11 / 3					
	A-2145-FGNA(587)-*		2145-N-CN		2144-AA-A IAA-587B		(3.05) / .120		11 / 4					
F	A-2145-FANA(P913)-*		2145-N-AN		2144-AA-A IAA-P913B		(3.05) / .120		12 / 1					F
	A-2145-DANC(P913)-*		2145-N-AN		2144-AA-A2AA-P913B		(4.80) / .189		12 / 2					
	A-2145-BBNH(P913)-*		2145-NBK-AN		2188-(P913)		(4.06) / .160		12 / 3					
	A-2145-CBNA(P913)-*		2145-NBK-AN		2144-AA-A IAA-P913B		(3.05) / .120		12 / 4					
	A-2145-FGNA(550)-*		2145-N-CN		2144-AA-A IAA-550B		(3.05) / .120		13 / 1					
	A-2145-BANH(P913)-*		2145-N-AN		2188-(P913)		(4.06) / .160		13 / 2					
E	A-2145-BANH(587)-*		2145-N-AN		2188-(587)		(4.06) / .160		13 / 3					E
	A-2145-FANA(503)-*		2145-N-AN		2144-AA-A IAA-503B		(3.05) / .120		13 / 4					
	A-2145-EANH(P913)-*		2145-N-AN		2188-(P913)		(4.06) / .160		14 / 1					
	A-2145-AANK(P913)-*		2145-N-AN		4244-(P913)		(3.68) / .145		14 / 2					
	A-2145-ABNK(P913)-*		2145-NBK-AN		4244-(P913)		(3.68) / .145		14 / 3					
D	A-2145-ABNA(587)-*		2145-NBK-AN		2144-AA-A IAA-587B		(3.68) / .145		14 / 4					D
	A-2145-AANA-(109)-*		2145-N-AN		2144-AA-A IAA-109B		(3.68) / .145		15 / 1					
	A-2145-CANA(P913)-*		2145-N-AN		2144-AA-A IAA-P913B		(3.05) / .120		15 / 2					
	A-2145-AANB(122)-*		2145-N-AN		2144-BA-A IAA(122)B		(3.68) / .145		15 / 3					
	A-2145-BANL(122)-*		2145-N-AN		6298-(122)		(4.06) / .160		15 / 4					
	A-2145-CANB(122)-*		2145-N-AN		2144-BA-A IAA(122)B		(3.05) / .120		16 / 1					
C	A-2145-EGNH(P913)-*		2145-N-CN		2188-(P913)		(4.06) / .160		16 / 2					C
	A-2145-FGNA(P913)-*		2145-N-CN		2144-AA-A IAA-P913B		(3.05) / .120		16 / 3					
	A-2145-CANA(587)-*		2145-N-AN		2144-AA-A IAA-587B		(3.05) / .120		16 / 4					
	A-2145-BBNH(122)-*		2145-NGN-AN		2188-(122)		(4.06) / .160		17 / 1					
	A-2145-BJNH(122)-*		2145-NYW-AN		2188-(122)		(4.06) / .160		17 / 2					
B	A-2145-BKNH(122)-*		2145-NRD-AN		2188-(122)		(4.06) / .160		17 / 3					B
A														A

SEE SHEET I	M I	SEE SHEET I	DIMENSIONS SHOWN (METRIC) INCH		▽ = 0 ▼ = 0		REVISE ONLY ON CAD SYSTEM		
SEE SHEET I	M	SEE SHEET I	UNLESS OTHERWISE SPECIFIED TOLERANCES ANGULAR ± 1/2°		TITLE		HOUSING ASS'Y, P.C. TAIL		
U	SEE SHEET I	K	SEE SHEET I	INCH METRIC		3 PLACE ±		7 / 9 / 87	
T	SEE SHEET I	J3	SEE SHEET I	2 PLACE ±		MOLEX INCORPORATED		SHEET NO. 5	
G	SEE SHEET I	J	SEE SHEET I	1 PLACE ±		L15LJLL		DATE	
R	SEE SHEET I	H	SEE SHEET I	DRAFT WHERE APPLICABLE MUST REMAIN WITHIN DIMENSIONS		60532		U.S.A.	
G	SEE SHEET I	G1	SEE SHEET I	DRWG. NO. SDA-2145		PARTY NO.		SEE CHART	
M3	SEE SHEET I	G1	SEE SHEET I	DRWG. PEREZ - TSKWD. ARGUETA - PATEL		FILE NAME		S2145X5	
LTR.	REVISIONS	LTR.	REVISIONS	APP'D. BY: LENZ		SCALE: 1:1		THIS DRAWING CONTAINS INFORMATION THAT IS PROPRIETARY TO MOLEX INC. AND SHOULD NOT BE USED WITHOUT WRITTEN PERMISSION.	
				DIV. KK		SIZE C			

A-2145-AANB(558)-*			A-2145-AANA(P913)-*			A-2145-ABNA(122)-*			A-2145-ABNA(P913)-*		
PART NO.	ENG. NO(SUFFIX ONLY)	VOID CKT.	PART NO.	ENG. NO(SUFFIX ONLY)	VOID CKT.	PART NO.	ENG. NO(SUFFIX ONLY)	VOID CKT.	PART NO.	ENG. NO(SUFFIX ONLY)	VOID CKT.
	-AA2B(558)		09-52-3021	-AA2A(P913)			-AB2A(122)		09-53-3021	-AB2A(P913)	
09-62-3035	-AA3B(558)		09-52-3031	-AA3A(P913)			-AB3A(122)		09-53-3031	-AB3A(P913)	
09-62-3048	-AA4B(558)		09-52-3041	-AA4A(P913)			-AB4A(122)		09-53-3041	-AB4A(P913)	
09-62-3055	-AA5B(558)		09-52-3051	-AA5A(P913)			-AB5A(122)		09-53-3051	-AB5A(P913)	
09-62-3065	-AA6B(558)		09-52-3061	-AA6A(P913)			-AB6A(122)		09-53-3061	-AB6A(P913)	
	-AA7B(558)		09-52-3071	-AA7A(P913)			-AB7A(122)		09-53-3071	-AB7A(P913)	
09-62-3085	-AA8B(558)		09-52-3081	-AA8A(P913)		09-46-3083	-AB8A(122)		09-53-3081	-AB8A(P913)	
09-62-3095	-AA9B(558)		09-52-3091	-AA9A(P913)			-AB9A(122)		09-53-3091	-AB9A(P913)	
09-62-3105	-AA10B(558)		09-52-3101	-AA10A(P913)			-AB10A(122)		09-53-3101	-AB10A(P913)	
	-AA11B(558)		09-52-3111	-AA11A(P913)			-AB11A(122)		09-53-3111	-AB11A(P913)	
09-62-3125	-AA12B(558)		09-52-3121	-AA12A(P913)		09-46-3123	-AB12A(122)		09-53-3121	-AB12A(P913)	
	-AA13B(558)		09-52-3131	-AA13A(P913)			-AB13A(122)			-AB13A(P913)	
	-AA14B(558)		09-52-3141	-AA14A(P913)			-AB14A(122)		09-53-3141	-AB14A(P913)	
09-62-3154	-AA15B(558)		09-52-3151	-AA15A(P913)			-AB15A(122)		09-53-3151	-AB15A(P913)	
	-AA16B(558)			-AA16A(P913)			-AB16A(122)			-AB16A(P913)	

COLUMN NO. 1	CON'T. IN COLUMN NO.	SHEET NO.	COLUMN NO. 2	CON'T. IN COLUMN NO.	SHEET NO.	COLUMN NO. 3	CON'T. IN COLUMN NO.	SHEET NO.	COLUMN NO. 4	CON'T. IN COLUMN NO.	SHEET NO.
						SEE SHEET I		SEE SHEET I			
						SEE SHEET I		SEE SHEET I			
						SEE SHEET I		SEE SHEET I			
						SEE SHEET I	T	SEE SHEET I			
						SEE SHEET I	E	SEE SHEET I			
						SEE SHEET I	D8	SEE SHEET I			
						SEE SHEET I	A	SEE SHEET I			
LTR.	REVISIONS		LTR.	REVISIONS							

DIMENSIONS SHOWN (METRIC) INCH
UNLESS OTHERWISE SPECIFIED
TOLERANCES ANGULAR ± 1/2°

3 PLACE	±	
2 PLACE	±	
1 PLACE	±	

DRAFT WHERE APPLICABLE MUST
REMAIN WITHIN DIMENSIONS

DRWG. PEREZ + CHW. PATEL
BY ARGUETA

APP'D. LENZ SCALE

▽ = 0 ▼ = 0 **REVISE ONLY ON CAD SYSTEM**

TITLE
HOUSING ASS'Y, P.C. TAIL
(3,96)/.156 C
2145 SERIES DRAWING

MOLEX INCORPORATED SHEET NO. 8 DATE 7 / 9 / 87
LITTLE, ILL. 60532 U.S.A.

SEE CHART DRWG. NO. **SDA-2145**

FILE NAME: S2145XB THIS DRAWING CONTAINS INFORMATION THAT IS PROPRIETARY TO MOLEX INC. AND SHOULD NOT BE USED WITHOUT WRITTEN PERMISSION. DIV. KK SIZE C

2145

X-ON Electronics

Largest Supplier of Electrical and Electronic Components

Click to view similar products for [Headers & Wire Housings](#) category:

Click to view products by [Molex](#) manufacturer:

Other Similar products are found below :

[95000-104TRLF](#) [10135584-644402LF](#) [DF62W-EP2022PCA](#) [95000-106TRLF](#) [DF62W-2022SCA](#) [DF62W-EP2022PC](#) [2203348](#) [DF62W-2022SC](#) [1084018](#) [1029039](#) [1084017](#) [802-10-012-10-002000](#) [1112640](#) [1112639](#) [000-34000](#) [0009482033](#) [0009507031](#) [57102-S06-03LF](#) [57202-S52-04LF](#) [PCN6-15S-2.5E](#) [0039019024](#) [58102-G61-06LF](#) [582553-1](#) [0009485154](#) [0009508121](#) [0022285053](#) [0050291907](#) [018731A](#) [LY20-4P-DT1-P1E-BR](#) [02.125.8002.8](#) [60101931](#) [60598-1 \(Cut Strip\)](#) [M1625-3R/100](#) [61062-3](#) [61082-181009](#) [636-1427](#) [638009-1](#) [641938-9](#) [641991-4](#) [644168-1](#) [647662-1](#) [65039-019ELF](#) [65817-002LF](#) [65817-015LF](#) [65863-015LF](#) [66207-023LF](#) [67016-026LF](#) [67046-001LF](#) [67095-007LF](#) [67230-005LF](#)