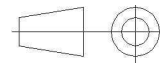
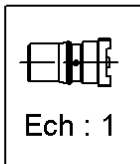
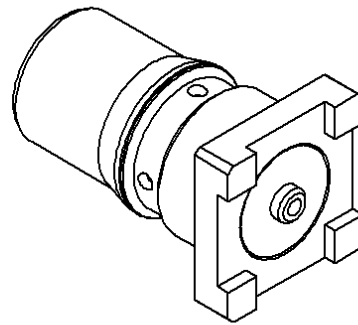
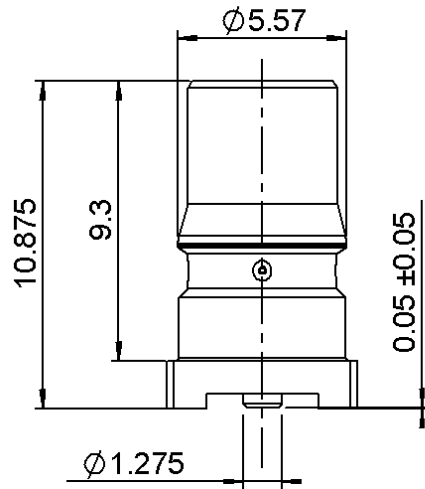
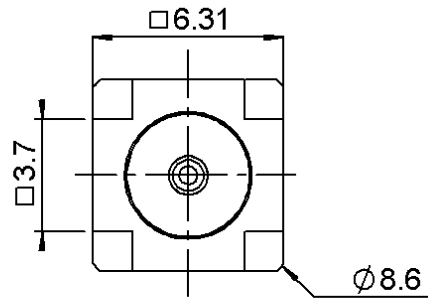


SMT RECEPTACLE

R123.427.803

REEL 100

Series : QMA



All dimensions are in mm.

COMPONENTS	MATERIALS	PLATING (µm)
BODY	BRASS	NPGR
CENTER CONTACT	BERYLLIUM COPPER	NPGR
OUTER CONTACT	-	-
INSULATOR	PTFE	-
GASKET	-	-
OTHERS PARTS	-	-
-	-	-
-	-	-

Issue : 0923 D

In the effort to improve our products, we reserve the right to make changes judged to be necessary.



SMT RECEPTACLE

R123.427.803

REEL 100

Series : QMA

PACKAGING

SPECIFICATION

Standard	Unit	Other
100	'W' option	Contact us

ELECTRICAL CHARACTERISTICS

ENVIRONMENTAL

Impedance	50	Ω
Frequency	0-6	GHz
VSWR	1.04 + 0,0450	x F(GHz) Maxi
Insertion loss	0.05	\sqrt{F} (GHz) dB Maxi
RF leakage	- (80)	- F(GHz)) dB Maxi
Voltage rating	500	Veff Maxi
Dielectric withstanding voltage	1000	Veff mini
Insulation resistance	5000	M Ω mini

Operating temperature	-40/+105	$^{\circ}$ C
Hermetic seal	NA	Atm.cm3/s
Panel leakage	NA	

OTHER CHARACTERISTICS

Assembly instruction **NA**

Others :

Intermod.: -120dBc at 1.8GHz(2 x 20W)
RF leakage: Interf. only: $3 < F < 6$ GHz: >70dB

MECHANICAL CHARACTERISTICS

Center contact retention		
Axial force – Mating end	27	N mini
Axial force – Opposite end	27	N mini
Torque	2.8	N.cm mini
Recommended torque		
Mating	NA	N.cm
Panel nut	NA	N.cm
Mating life	100	Cycles mini
Weight	1,2180	g

Issue : 0923 D

In the effort to improve our products, we reserve the right to make changes judged to be necessary.

RADIALL 

SMT RECEPTACLE

R123.427.803

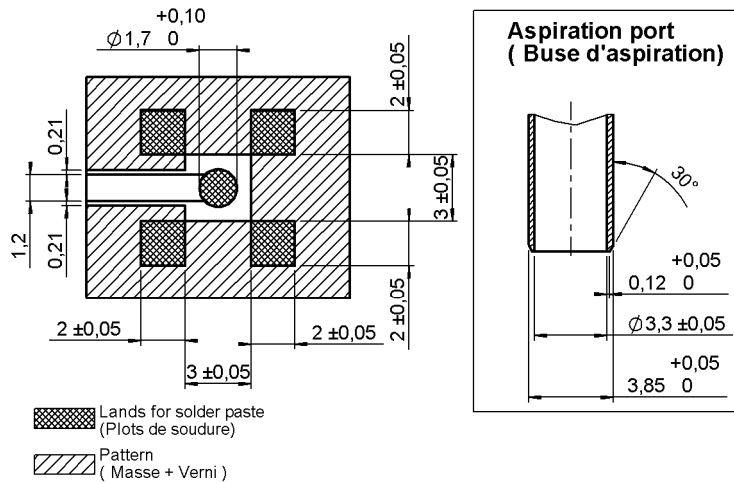
REEL 100

Series : QMA

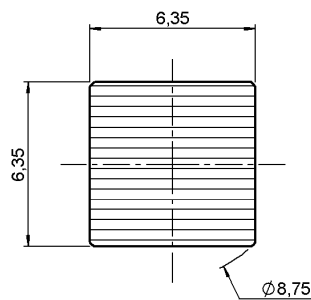
QMA SERIE - INFORMATIONS

COPLANAR LINE : Pattern and signal are on the same side. Thickness of PCB = 0.063 (1.6mm).

The material of PCB is the epoxy resin of glass fabrics bacs (Er = 4.8). The solder resist should be printed except for the land pattern on the PCB.



SHADOW OF QUICKLOCK RECEPTACLE FOR VIDEO CAMERA



Issue : 0923 D

In the effort to improve our products, we reserve the right to make changes judged to be necessary.



SMT RECEPTACLE

R123.427.803

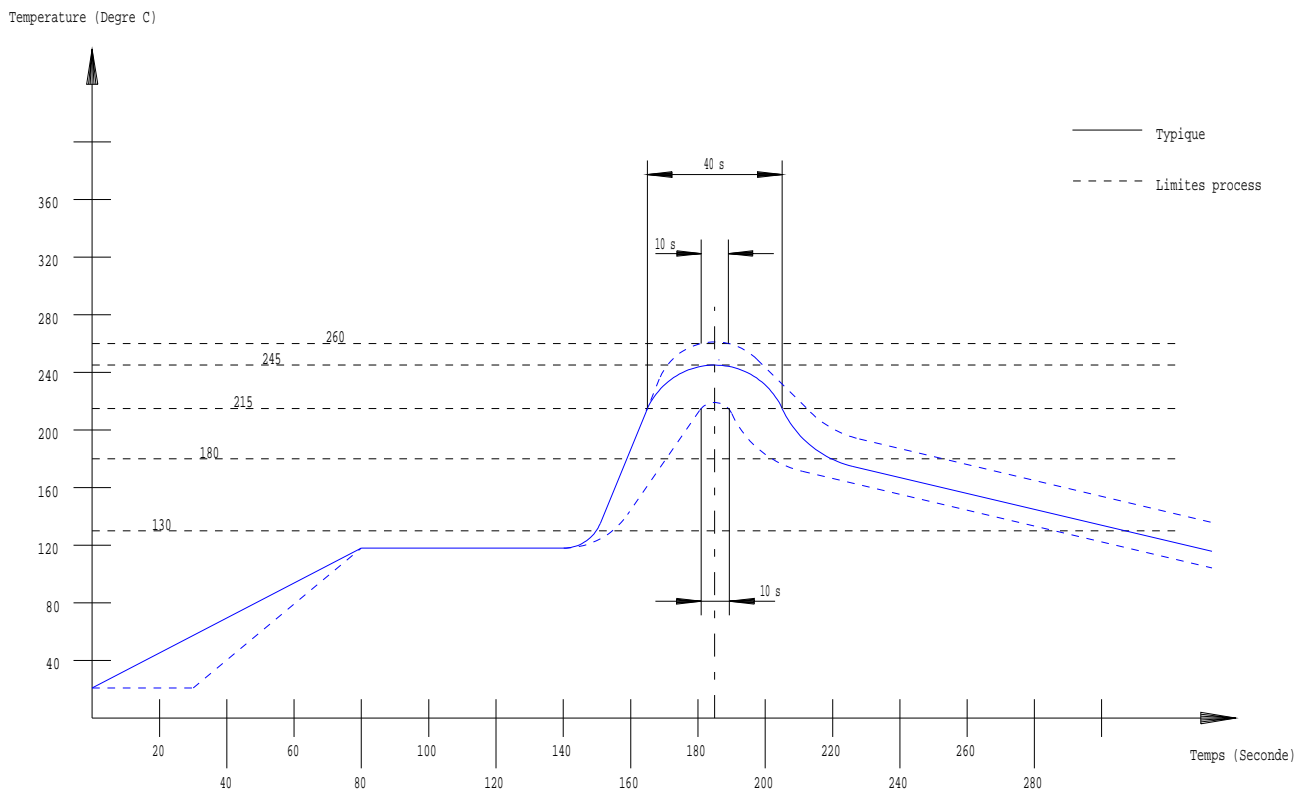
REEL 100

Series : QMA

SOLDER PROCEDURE

1. Deposit solder paste 'SN62RP11AGS90' on mounting zone by screen printing application. We recommend a low residue flux.
We advise a thickness of 150 micromm (5.850 microinch). Verify that the edges of the zone are clean.
2. Placement of the receptacle on the mounting zone with an automatic 'pick and place' machine.
Video camera is preferred to check the positioning of the component (See page 3).
Adhesive agents are forbidden on the receptacle.
3. Soldering by infra-red reflow.
We give under, the typical profile to use.
4. Cleaning of the printed circuits board.
5. Checking of solder joints and position of the components by visual inspection.

TEMPERATURE PROFIL



Issue : 0923 D

In the effort to improve our products, we reserve the right to make changes judged to be necessary.

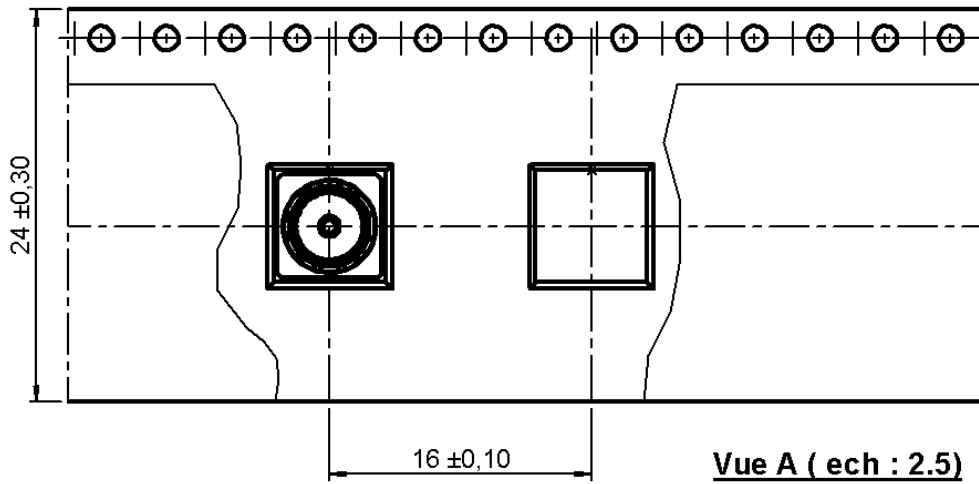
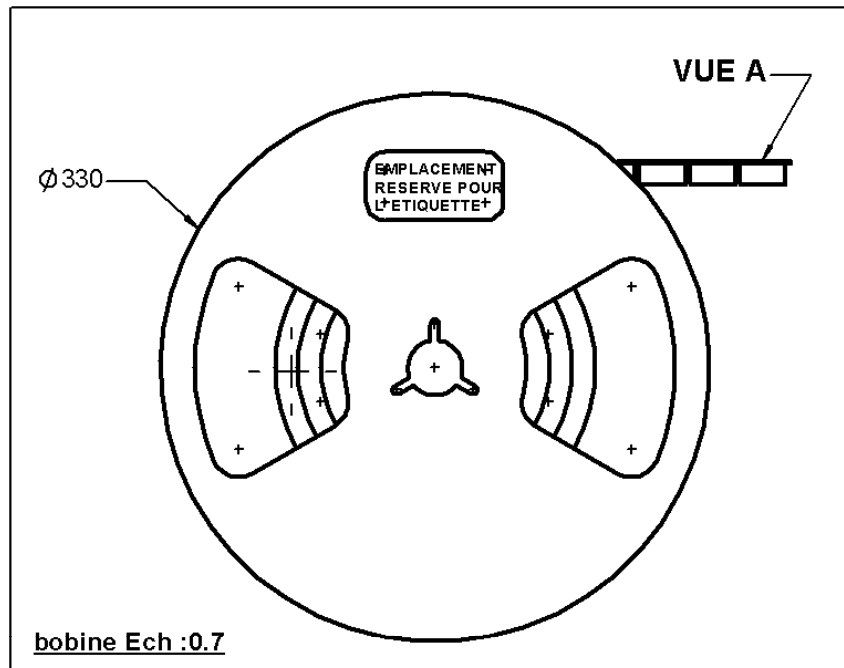


SMT RECEPTACLE

R123.427.803

REEL 100

Series : QMA



Issue : 0923 D

In the effort to improve our products, we reserve the right to make changes judged to be necessary.

X-ON Electronics

Largest Supplier of Electrical and Electronic Components

Click to view similar products for [radiall](#) manufacturer:

Other Similar products are found below :

[5919-1503-000](#) [7101-1541-010](#) [7105-1561-010](#) [MD11-035](#) [81-6201-0450](#) [9074-9513-000](#) [R113425097](#) [R114305000W](#) [R124075210](#)
[R125055000](#) [R125512000W](#) [R141154000W](#) [R141572000](#) [R143012000](#) [R143235161W](#) [R166268000](#) [R176019000](#) [R191841001W](#)
[R282102000](#) [R282744220](#) [R282918120](#) [R404770000](#) [R413808000](#) [R414430150](#) [R414520150](#) [R433514700](#) [R570022105](#) [R570123005](#)
[R570363010](#) [R570442000](#) [R570E52010](#) [R574402410](#) [R585423230](#) [R114425000](#) [R124510000](#) [R125052500](#) [R125320020W](#) [R141331500W](#)
[R162017000W](#) [R176404000](#) [R191970091](#) [R282750000](#) [R317270000](#) [R404110150](#) [R404280150](#) [R404755000](#) [R413210150](#) [R413303150](#)
[R413830150](#) [R414530150](#)