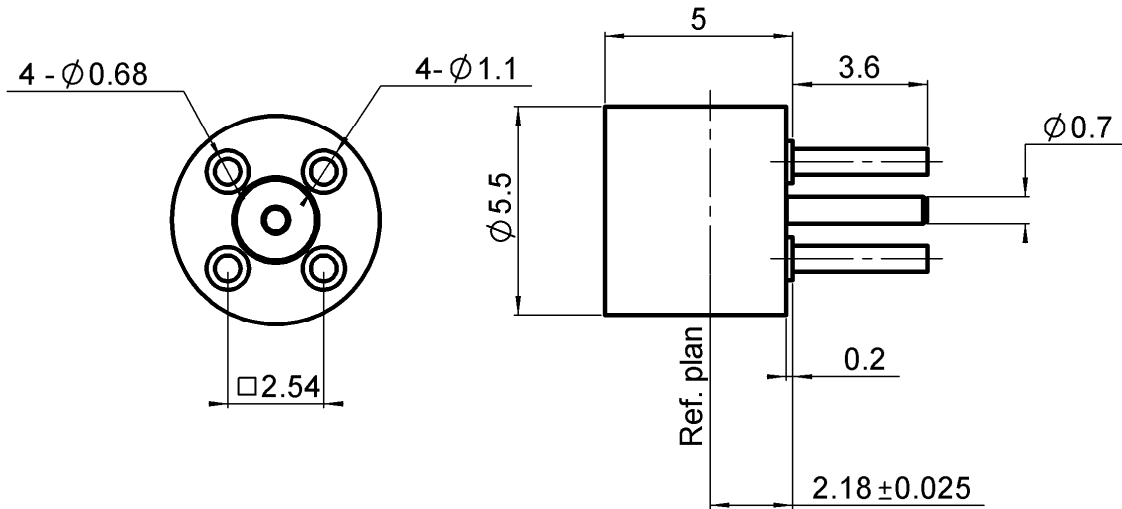


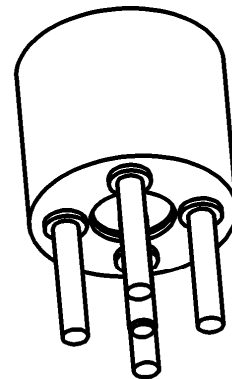
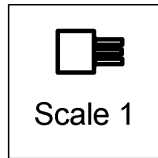
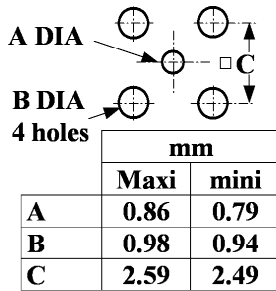
MALE STRAIGHT RECEPTACLE FOR PCB
SOLDER LEGS - FULL DETENT

R222.426.020

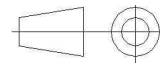
Series : SMP



PANEL CUT OUT



All dimensions are in mm.



| COMPONENTS | MATERIALS | PLATINGS (µm) |
|----------------|------------------|----------------------------|
| BODY | STAINLESS STEEL | GOLD 0.5 OVER NICKEL 2 |
| CENTER CONTACT | BERYLLIUM COPPER | GOLD 1.27 OVER NICKEL 1.27 |
| OUTER CONTACT | - | - |
| INSULATOR | PTFE | - |
| GASKET | - | - |
| OTHERS PARTS | - | - |
| - | - | - |
| - | - | - |

Issue : 0949 B

In the effort to improve our products, we reserve the right to make changes judged to be necessary.



MALE STRAIGHT RECEPTACLE FOR PCB

R222.426.020

SOLDER LEGS - FULL DETENT

Series : SMP

PACKAGING

SPECIFICATION

| Standard | Unit | Other |
|------------|-------------------|-------------------|
| 100 | 'W' option | Contact us |

ELECTRICAL CHARACTERISTICS

ENVIRONMENTAL

| | | |
|---------------------------------|------------------------------|--------------------------|
| Impedance | 50 | Ω |
| Frequency | 0-12 | GHz |
| VSWR | 1.15* + 0,0000 | x F(GHz) Maxi |
| Insertion loss | 0.12* | \sqrt{F} (GHz) dB Maxi |
| RF leakage | - (| - F(GHz)) dB Maxi |
| Voltage rating | 335 | Veff Maxi |
| Dielectric withstanding voltage | 500 | Veff mini |
| Insulation resistance | 5000 | M Ω mini |

| | | |
|-----------------------|-----------------|--------------|
| Operating temperature | -65/+165 | $^{\circ}$ C |
| Hermetic seal | NA | Atm.cm3/s |
| Panel leakage | NA | |

OTHERS CHARACTERISTICS

Assembly instruction

Others :

*Coaxial Transmission Line Only

MECHANICAL CHARACTERISTICS

| | | |
|----------------------------|---------------|-------------|
| Center contact retention | | |
| Axial force – Mating end | 6.8 | N mini |
| Axial force – Opposite end | NA | N mini |
| Torque | NA | N.cm mini |
| Recommended torque | | |
| Mating | NA | N.cm |
| Panel nut | NA | N.cm |
| Mating life | 100 | Cycles mini |
| Weight | 0,7200 | g |

Issue : 0949 B

In the effort to improve our products, we reserve the right to make changes judged to be necessary.



MALE STRAIGHT RECEPTACLE FOR PCB

R222.426.020

SOLDER LEGS - FULL DETENT

Series : SMP

SOLDER PROCEDURE IN INDUSTRIAL ENVIRONMENT

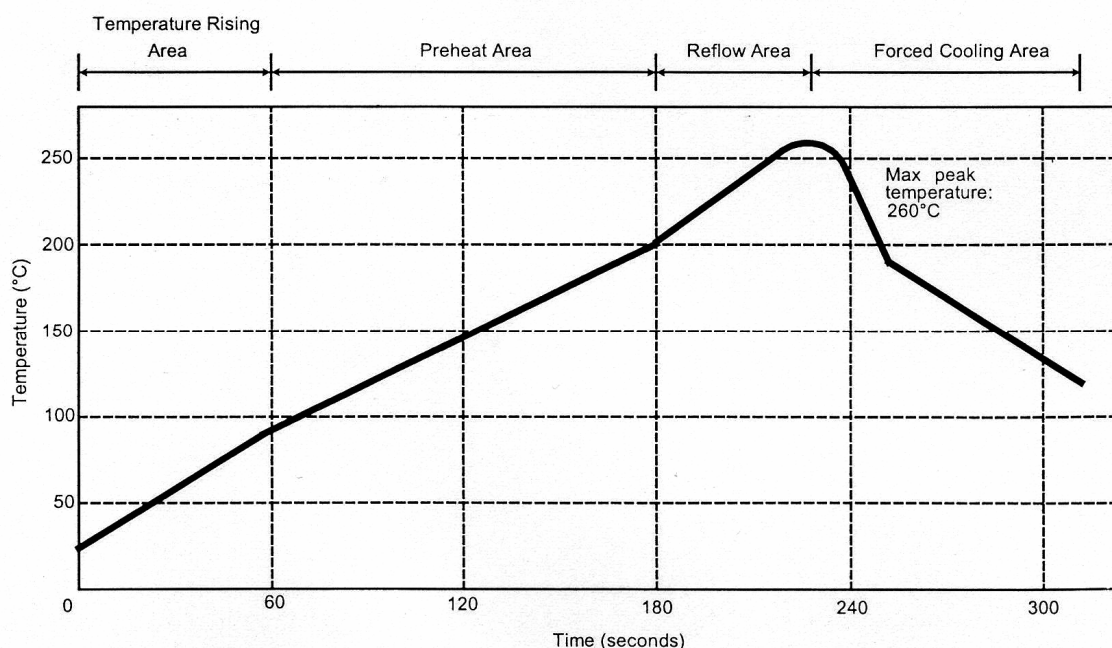
Suite au nouvelles directives européennes RoHS, le plomb ne doit plus être utilisé, entre autre, dans les procédés de brasage

Following the new European directives RoHS, lead should not be used any more, in the solder process.

Voici donc la nouvelle pâte à braser et le nouveau profil de température à utiliser :

Here follow the new solder paste and a new temperature profile to be used:

Sn AG4 Cu0.5



| Parameter | Value | Unit |
|----------------------------------|-----------|--------|
| Temperature rising Area | 1 - 4 | °C/sec |
| Max Peak Temperature | 260 | °C |
| Max dwell time @260°C | 10 | sec |
| Min dwell time @235°C | 20 | sec |
| Max dwell time @235°C | 60 | sec |
| Temperature drop in cooling Area | -1 to - 4 | °C/sec |
| Max dwell time above 100°C | 420 | sec |

Issue : 0949 B

In the effort to improve our products, we reserve the right to make changes judged to be necessary.



X-ON Electronics

Largest Supplier of Electrical and Electronic Components

Click to view similar products for [RF Connectors / Coaxial Connectors](#) category:

Click to view products by [Radiall](#) manufacturer:

Other Similar products are found below :

[R125315120](#) [8915-1511-000](#) [89674-0827](#) [5916-1103-603](#) [0106-001-000](#) [6-0001-3](#) [6001-7071-019](#) [6002-7051-003](#) [6002-7551-202](#) [6059674-1](#) [619550-1](#) [630059-000](#) [M39012/25-0021](#) [M39012/79-3008](#) [M39030/3-01N](#) [M39030/3-03N](#) [M3933/25-36N](#) [6500-7071-046](#) [6501-1071-002](#) [M83723/72W2457N](#) [6769](#) [CX050L2AQ](#) [7002-1541-010](#) [7002-1572-002](#) [7003-1572-002](#) [7004-1512-000](#) [7009-1511-004](#) [7010-1511-000](#) [7029-1511-060](#) [7101-1541-010](#) [7101-1571-002](#) [7105-1521-002](#) [7145-1521-002](#) [7209-1511-011](#) [7210-1511-012](#) [7210-1511-015](#) [7210-1511-019](#) [7210-1511-040](#) [7225-1512-050](#) [7242-1511-000](#) [73137-5015](#) [73251-0111](#) [73251-0672](#) [73276-1501](#) [73366-0013](#) [73404-2300](#) [73413-6080](#) [73415-5721](#) [7405-1521-005](#) [7405-1521-802](#)