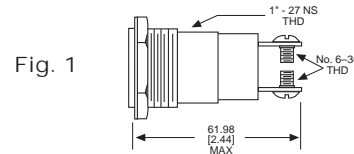




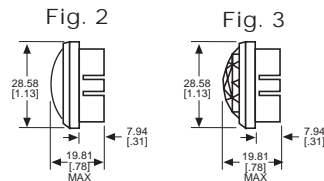
031 SERIES FOR 1" MOUNTING HOLE • FRICTION-FIT-CAP

BASE PART NO.	VOLTAGE	FIG
031-3101-01-101	6-250	1



Uses:
S-6
CANDELABRA
SCREW BASE
INCANDESCENT
LAMP

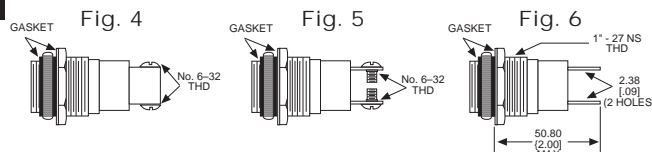
CAP PART NO.	COLOR	FIG	CAP PART NO.	COLOR	FIG
031-0111-300	RED	2	031-0431-300	RED	3
031-0112-300	GREEN	2	031-0432-300	GREEN	3
031-0113-300	AMBER	2	031-0433-300	AMBER	3
031-0135-300	WHITE	2	031-0435-300	WHITE	3
031-0137-300	CLEAR	2	031-0437-300	CLEAR	3



Material & Finish: Base - Nickel Plated Brass, Cap - Polycarbonate with Chrome Plated Brass Bezel

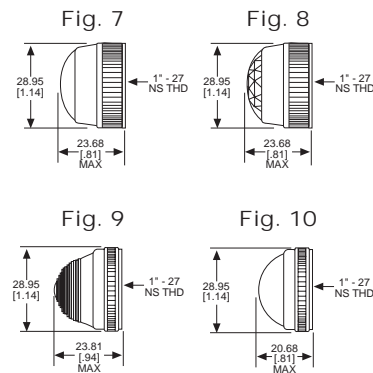
051 & 080 SERIES FOR 1" MOUNTING HOLE • WATERTIGHT

BASE PART NO.	VOLTAGE	FIG
080-0901-05-303	6-250	4
080-3101-05-303	6-250	5
080-4001-05-303	6-250	6



Uses:
S-6
CANDELABRA
SCREW BASE
INCANDESCENT
LAMP

CAP PART NO.	COLOR	FIG	CAP PART NO.	COLOR	FIG
051-0111-303	RED	7	080-0531-303	RED	9
051-0112-303	GREEN	7	080-0532-303	GREEN	9
051-0113-303	AMBER	7	080-0533-303	AMBER	9
051-0135-303	WHITE	7	080-0535-303	WHITE	9
051-0137-303	CLEAR	7	080-0537-303	CLEAR	9
051-0431-303	RED	8	080-1231-303	RED	10
051-0432-303	GREEN	8	080-1232-303	GREEN	10
051-0433-303	AMBER	8	080-1233-303	AMBER	10
051-0435-303	WHITE	8	080-1235-303	WHITE	10
051-0437-303	CLEAR	8	080-1237-303	CLEAR	10

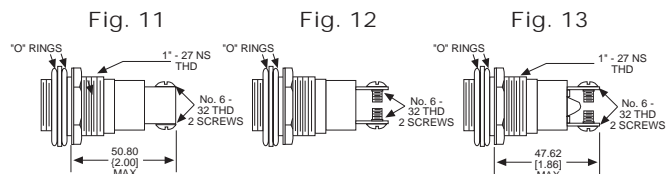


Material & Finish: Base - Chrome Plated Brass, Cap - Polycarbonate with Chrome Plated Brass Bezel

103 SERIES FOR 1" MOUNTING HOLE • OILTIGHT*

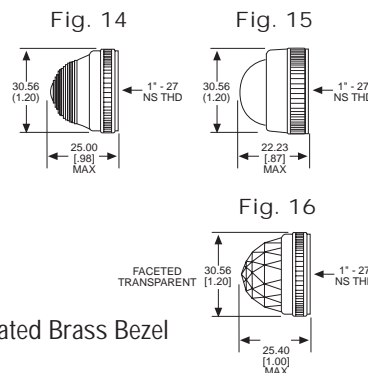
BASE PART NO.	VOLTAGE	FIG
103-0901-05-103	6-250	11
103-3101-05-103	6-250	12
103-3502-05-103†	24-250	13

† Takes S-6 Double Contact Bayonet Base Lamp



Uses:
S-6
CANDELABRA
SCREW BASE
INCANDESCENT
LAMP

CAP PART NO.	COLOR	FIG	CAP PART NO.	COLOR	FIG
103-0531-403	RED	14	103-1233-403	AMBER	15
103-0532-403	GREEN	14	103-1235-403	WHITE	15
103-0533-403	AMBER	14	103-1237-403	CLEAR	15
103-0535-403	WHITE	14	103-1331-403	RED	16
103-0537-403	CLEAR	14	103-1332-403	GREEN	16
103-1231-403	RED	15	103-1333-403	AMBER	16
103-1232-403	GREEN	15	103-1335-403	WHITE	16
			103-1337-403	CLEAR	16



Material & Finish: Base - Nickel Plated Brass, Cap - Polycarbonate with Chrome Plated Brass Bezel

Neon and incandescent lamp information on Pages 35 and 36.

* See Page 14 for Oiltight information

Dimensions in mm [inches]



X-ON Electronics

Largest Supplier of Electrical and Electronic Components

Click to view similar products for [LED Lighting Lenses](#) category:

Click to view products by [Dialight](#) manufacturer:

Other Similar products are found below :

[LL01ED-AK40L06](#) [LL01ZZ-EX25L06-M2](#) [180182-0000](#) [FNP-N2-N083-0R NRW](#) [LL01ED-ALI55R49](#) [0190535300](#) [0410111300](#)
[0510113303](#) [0530997](#) [2710121](#) [C11004_TINA2-RS](#) [C12231_LENA-FRESNEL-LENS](#) [LL01ED-AKY24R49](#) [LL01CR-AYG15R49](#)
[LL01CR-OT32L06-M2](#) [LL01ZZ-AAA24L49](#) [LL01CR-CEN38L02](#) [LL01ZZ-AAA55L49](#) [LL01CR-AYG24R49](#) [LL01A00CZMB2-M2](#)
[LL01ED-AKY38R49](#) [LL01CR-CNE2545L06-M2](#) [LL01ZZ-AAA38L49](#) [LL01ED-AKV36R49](#) [LL01ED-ALI24R49](#) [LL01CR-AYG38R49](#)
[FN15973_RONDA-REC-60-C](#) [FP-MS-11.5](#) [F16859_LINDA-ZT25](#) [C14169_LENA-CLEAR-LENS](#) [C16125_OLGA-W](#) [C17410_SPORT-](#)
[2X2-FT6](#) [C17414_SPORT-2X2-S6](#) [C17409_SPORT-2X2-FT6W](#) [C17360_SPORT-2X2-FT60](#) [C17434_ILONA-WW](#) [F16636_LINDA-W60](#)
[10003](#) [10003/15](#) [10048](#) [10049](#) [10108](#) [CP10960_RGBX-SS](#) [CP12395_LXP3-W](#) [10415](#) [10510](#) [1-1000288-0](#) [F14487_FLORENCE-1R-](#)
[MAXI-WG](#) [12667](#) [C14165_STRADA-2X2-ME-WIDE2](#)