

QA4/PBA4

Microswitch Push Button

Momentary

QA4/PBA4

mm) Ø 6.1

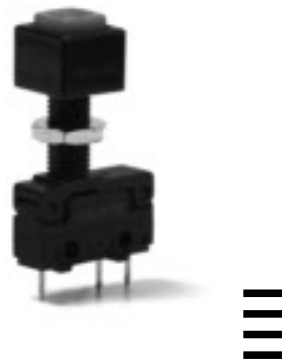
- for use with V4N/V4NC series
- long overtravel up to 5 mm
- simple clip-on attachment
- round or square bezels
- push button options

ing 250 VAC, 5 A

mm) 20 × 6.45 × 38.3

- stainless steel plunger
- polyamide (PA 6.6) plunger

als UL, CSA



Preferred Range

Basic switch	Button	Bezel	Sealing kit	Actuator kit
V4NCT7	PBRR	BZR	PBSLK	QA4

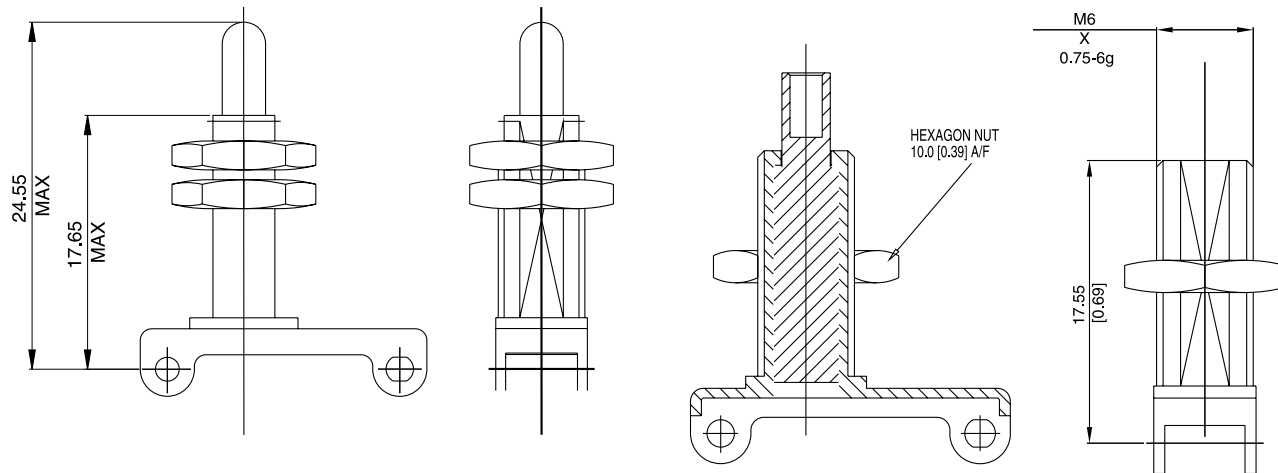
QA4/PBA4

Specifications

Clip-on frame	Glass fibre reinforced polyamide (PA 6.6)
Bezel	ABS polymer - black (PBA4 only)
Cowl	Synthetic rubber (PBA4 only)
"O"-Ring	Nitrile (PBA4 only)
Locknut	Brass nickel plate
Button/Plunger	ABS polymer (PBA4) Stainless steel (QA4)
Basic switches	V4NC (see pages 52 to 55)
Temperature range °C	-10°C to +85°C
Mechanical Life	5 × 10 ⁶ cycles minimum (Mechanism 2 × 10 ⁶ cycles minimum) (Impact free actuation)
Mounting mm (in)	Single hole ∅ 6.4 (0.25) suitable for panels up to 8.0 (0.3) thick
Torque max. Nm	0.4 to be applied to locknut

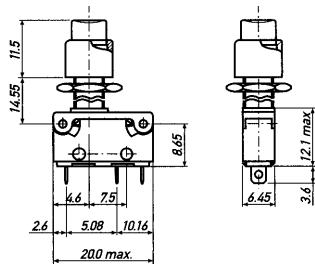
ons QA4

PBA4



Configuration

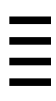
V4NC... See pages 52 to 55
 V4N... See page 56 to 59



PBA4

Type coding key for standard products

kit PB	without insert switch, button or bezel PB-clip-on assembly round or square bezels	Example: PBA4	PBR	RED	V4N
A4	Actuator kit only				
AS4	Sealed actuator kit only				
ies	can be ordered separately using bracketed references				
(PB)R	Round Button (complete with bezel)				
(PB)S	Square Button (complete with bezel)				
(B)ZR	Round Bezel				
(B)ZS	Square Bezel				
(PB)SLK	Sealing Kit (complete with button & bezel)				
Round button					
Round bezel					
Square button					
Square bezel					
PBSLK	Sealing kit (O-ring and diaphragm) Bezel and button can be ordered separately				
ors	RED (R when ordered complete with Insert switch)				
	YELLOW (Y when ordered complete with Insert switch)				
	GREEN (G when ordered complete with Insert switch)				
	BLUE (BU when ordered complete with Insert switch)				
	BLACK (B when ordered complete with Insert switch)				
	WHITE (W when ordered complete with Insert switch)				
ple	V4NT7PBSR is a V4NT7 (basic switch, p. 59)				
nce	with PBS (square button complete with bezel) and a RED button				
res	/ <input type="checkbox"/> <input type="checkbox"/> <input type="checkbox"/> <input type="checkbox"/> Saia-Burgess specialise in customer specific solutions. Additional product variants are available or can be provided. If your requirements cannot be satisfied from the options listed, please contact www.saia-burgess.com or your local SB outlet.				



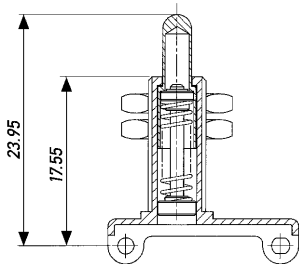
QA4

Type coding key for standard products

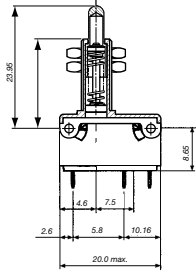
kit QA4

without insert switch

Example: QA4 QV4NCT7



switch Q followed by switch reference
V4NC... See pages 52 to 55
V4N... See pages 56 to 59
Example reference: QV4NCT7



res /

Saia-Burgess specialise in customer specific solutions.
Additional product variants are available or can be provided.
If your requirements cannot be satisfied from the options listed,
please contact www.saia-burgess.com or your local SB outlet.

X-ON Electronics

Largest Supplier of Electrical and Electronic Components

Click to view similar products for [saia-burgess](#) manufacturer:

Other Similar products are found below :

[BVM3F-ULS](#) [BVM3FYR-ULS](#) [KOP512KK7MWVPN00A](#) [BVM3FYULS](#) [KOL251H7MKVPN00](#) [404019/464407](#) [KOL360H7MRVPN00](#)
[XGG2-88-J22Z1](#) [KOP260F0MWVAN00](#) [KOL321H7MRVPN00](#) [414119/464407](#) [V9NLR1V-3.0M](#) [F4T7YCGPUL](#) [XCF5Z1](#) [XGG6-88](#)
[XGG2-88-S20Z1](#) [J84211213](#) [195225-230](#) [V3SYR1UL](#) [P2/3FCC 209](#) [KOP170J7MWVPN00](#) [V4NCT7-A1](#) [UDS1UR6M50CANCZ183](#)
[B14HD-254-B-4](#) [XCG12-L1](#) [F5T8GPUL](#) [XCG5-J1Z1](#) [V4NC4SET9-NI1](#) [V4LSK2](#) [XGG2-88-J23Z1](#) [QA4/3260](#) [V9N](#) [XCG10-J1Z1](#)
[XCG11-J1Z1](#) [4BRSH](#) [B14HDP-253-B-4](#) [XCG13-L1](#) [XCF8Z1](#) [KOL312H7MRVPN00](#) [B14HD-L-254-B-4](#) [V4NT8](#) [XGC2-88-J23](#) [XGC2-88-](#)
[S20Z1](#) [195224-230](#) [282367-027](#) [V4NCT7-Y1](#) [195223-234](#) [B4HDM-253-M-36](#) [XCG5-S1Z1](#) [195224-233](#)