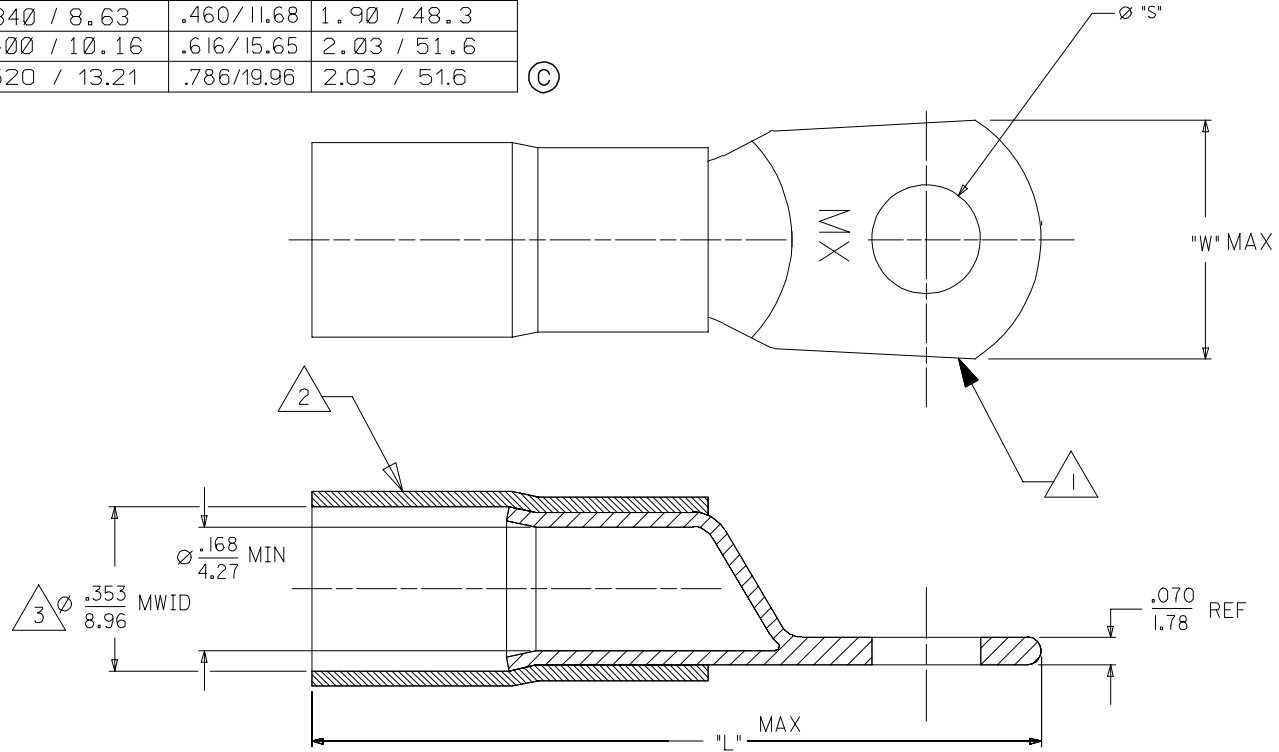


MATERIAL NUMBER	ENGINEERING NUMBER	STUD SIZE	"S" REF	"W" MAX	"L" MAX
191640840	SD-810	#10	.214 / 5.44	.460/11.68	1.90 / 48.3
191640884	SD-814	1/4	.278 / 7.06	.460/11.68	1.90 / 48.3
191640842	SD-8516	5/16	.340 / 8.63	.460/11.68	1.90 / 48.3
191640843	SD-838	3/8	.400 / 10.16	.616/15.65	2.03 / 51.6
191641007	SD-812-XWP-PL	1/2	.520 / 13.21	.786/19.96	2.03 / 51.6



NOTES:

- 1. MATERIAL: TERMINAL: COPPER. PLATING: TIN
- 2. INSULATION: HEAT SHRINKABLE TUBING W/HOT MELT ASHESIVE INNER LINER. COLOR: RED
- 3. MWID = MAXIMUM WIRE INSULATION DIAMETER.
- 4. ASSEMBLY IS ROHS COMPLIANT.

SALES DRAWING

ADDED MATL NO. & ROHS EC NO: ETC2007-0427 DRW: NEHLE 2007/05/18 CHKD: JMACNEIL 2007/05/21 APPR: JMACNEIL 2007/05/22	QUALITY SYMBOLS ▽=0 ▽=0	GENERAL TOLERANCES (UNLESS SPECIFIED)		DIMENSION STYLE	SCALE	DESIGN UNITS	THIRD ANGLE PROJECTION	
		mm	INCH	IN/MM	---	INCH		
		4 PLACES ± ---	± ---	DRAWN BY	DATE	TITLE		
		3 PLACES ± ---	± ---	BRE	04/02/11	RING TONGUE TERMINAL PERMA-SEAL 8 AWG NIAC		
2 PLACES ± ---	± ---	CHECKED BY	DATE	MOLEX INCORPORATED				
1 PLACE ± ---	± ---	HEB	04/02/11	MATERIAL NO. DOCUMENT NO. SHEET NO.				
ANGULAR ± ---°		APPROVED BY	DATE	SEE CHART SD-19164-066 1 OF 1				
		RWD	04/02/11	THIS DRAWING CONTAINS INFORMATION THAT IS PROPRIETARY TO MOLEX INCORPORATED AND SHOULD NOT BE USED WITHOUT WRITTEN PERMISSION				

## X-ON Electronics

Largest Supplier of Electrical and Electronic Components

*Click to view similar products for [Terminals](#) category:*

*Click to view products by [Molex](#) manufacturer:*

Other Similar products are found below :

[HT-13-10](#) [71M-250-32-NB](#) [01-2065-1-0216](#) [00581P0075](#) [M10-10RX](#) [M10BCK](#) [60205-1](#) [604200-1](#) [60598-1-CUT-TAPE](#) [60617-1-C](#) [60873-1](#) [M14-516R/SK](#) [M14-6RSX](#) [M18-10FLX](#) [M18-8FBX](#) [M18-8R/LX](#) [M18BCK](#) [61314-6-C](#) [61-S](#) [61-SN-A](#) [62-NBM-A](#) [63-S](#) [640179-1](#) [640917-2-CUT-TAPE](#) [6501550002](#) [66107-2-C](#) [696683-1](#) [696834-1](#) [696861-1](#) [696931-1](#) [696999-1](#) [M8-516RK](#) [M86700006](#) [MA250DMFMX-A](#) [701-2007](#) [701-2307](#) [701-7761-03](#) [70F-110-32-PB](#) [718-N-A](#) [71M-187-20-NBL](#) [71M-250-32-NBL](#) [72F-187-20-NBL](#) [72M-250-32-NBL](#) [7310](#) [73F-250-32](#) [73F-250-32-NBL](#) [73F-250-32-NL](#) [F14-10C](#) [F-1M](#) [751-250](#)