




Product information STAK 20 grau/grey

Industrial Connecting Solutions:Rectangular Connectors:Power Connectors (ST series):Cable socket:STAK 20 grau/grey

<http://e-catalog.hirschmann.com/link/57078-24228-256261-24351-24352-35728/en/conf/uisstate>

Name	STAK 20 grau/grey
	
	Cable socket with strain relief
Delivery informations	
Availability	available
Product description	
Description	Cable socket with strain relief
Type	STAK 20 grau/grey
Order No.	931 264-106
Type of contact	female
Number of contacts	2 + PE
Cable gland	PG 7
Cable diameter	4 mm to 6.5 mm
Conductor size	max. 1.5 mm ²
Housing Color	grey
Contact bearer color	black
Technical data	
Pin dimensions	2 mm
Rated voltage	AC/DC 250 V
Rated current	DC 10 A / AC 16 A
Contact resistance	<= 5 mOhm
Type of termination	screw
Material	
Contact material	Cu Zn
Contact surface material	Sn
Contact bearer material	PA
Housing material	PA
Environmental conditions	
Protection class (IEC 60529)	IP 54
Pollution severity	3
Temperature range	-30 °C to +90 °C
Inflammability class	
Housing	UL 94 HB
Contact bearer	UL 94 V-0
Approvals	
UL	UL
VDE	VDE
SEV	SEV
Packing unit	
Packaging unit	100 pieces
Scope of delivery and accessories	
Accessories to order separately	safety brackets STASI 2, order no. 732 044-000



HIRSCHMANN

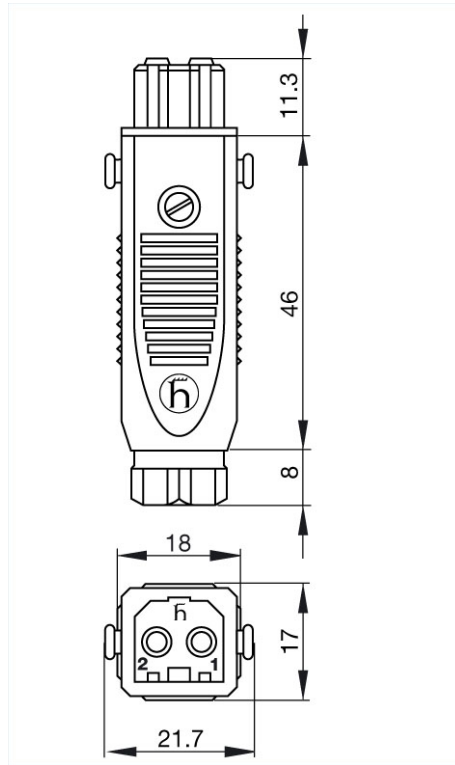
A BELDEN BRAND

Industrial Connecting Solutions:Rectangular Connectors:Power Connectors (ST series):Cable socket:STAK 20 grau/grey

<http://e-catalog.hirschmann.com/link/57078-24228-256261-24351-24352-35728/en/conf/ui/state>

Picture

Drawing



Belden Deutschland GmbH

Im Gewerbepark 2

58579 Schalksmühle

Germany

Phone: +49 7127/14-1806

E-Mail: icos-sales@belden.com

The information published in the websites has been compiled as carefully as possible. It is subject to alteration without notice in technical as well as in price-related/commercial respect. The complete information and data were available on user documentation. Mandatory information can only be obtained by a concrete query.

X-ON Electronics

Largest Supplier of Electrical and Electronic Components

Click to view similar products for [hirschmann](#) manufacturer:

Other Similar products are found below :

[931298001 GSP 211 PG11](#) [934828001 BRSCIS 4D/9](#) [930011200 MAB 6](#) [932326100 CA 6 GS](#) [G 30 KW 3 M](#) [831530400 CA 00 SD 1](#)
[934077105](#) [934066788](#) [934061103](#) [934059104](#) [930046100](#) [975090703](#) [943301-001](#) [934061704](#) [STAK2](#) [PRUEF1SW](#) [SPIDER-PL-20-](#)
[05T1999999TZ9HHHH](#) [BAT867-RUSW99AU999AT199L999ZHX](#) [930136106](#) [930317804](#) [934066105](#) [934076103](#) [934086104](#) [934086188](#)
[973929000](#) [934157101](#) [934077106](#) [934064104](#) [932794001](#) [973601101](#) [GECKO 4TX](#) [972309101](#) [934100707](#) [975455709](#) [975455701](#)
[973528101](#) [931297006](#) [MESAP 43650](#) [932140100](#) [STAK 3 N SCHWARZ](#) [932507005](#) [XZC 0704](#) [975694707](#) [MLSWG100/2.5RT](#) [BAT867-](#)
[RUSW99CU999AT199L999ZHX](#) [934081100](#) [934089101](#) [934090100](#) [973929001](#) [975017701](#) [975106101](#) [934157100](#)