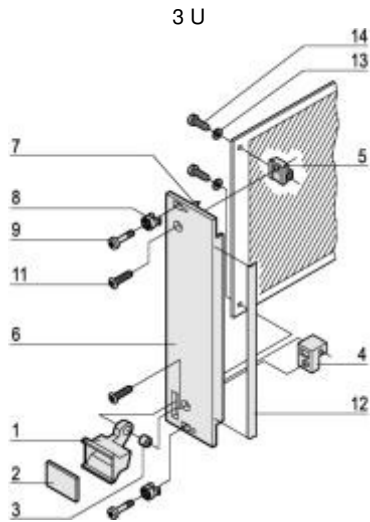


**Plug-in units type 2 with extraction handle – front panel shielded**



**Article number: 20848-485**

- For 6 U, the board location can be moved 1 HP to the right by swapping the upper and lower printed board brackets. This creates space for SMD components on the left-hand side (solder side).

**Delivery quantity: kit**

| Item | Qty | Description                                                                                     |
|------|-----|-------------------------------------------------------------------------------------------------|
| 1    | 1   | Extraction handle, PPE, grey, at bottom                                                         |
| 1a   | -   | Extraction handle, PPE, grey, at top                                                            |
| 2    | 1   | Identification plate, 1.5 mm aluminium, anodised, cut edges clean                               |
| 3    | 1   | Pivot bush, brass                                                                               |
| 4    | 1   | Printed board bracket, diecast zinc, at bottom                                                  |
| 4a   | -   | Printed board bracket, diecast zinc, at top                                                     |
| 5    | 1   | Printed board bracket, diecast zinc                                                             |
| 6    | 1   | U-front panel for extractor handle, front anodised, rear etched                                 |
| 7    | 2   | Alignment pin, pressed in, stainless steel                                                      |
| 8    | 2   | Sleeve, PA, grey, up to 7 HP front panel width                                                  |
| 8    | 4   | Sleeve, PA, grey, up to 8 HP front panel width                                                  |
| 9    | 2   | Collar screw, cross recess/slot, nickel-plated steel, M2.5 × 12.3, up to 7 HP front panel width |
| 9    | 4   | Collar screw, cross recess/slot, nickel-plated steel, M2.5 × 12.3, up to 8 HP front panel width |
| 11   | 1   | Raised countersunk head screw, M2.5 × 8                                                         |
| 12   | 1   | EMC textile seal                                                                                |
| 13   | 2   | Washer, A2.7                                                                                    |
| 14   | 2   | Pozidrive flathead screw with cross recess, nickel-plated steel, M2.5 × 10                      |

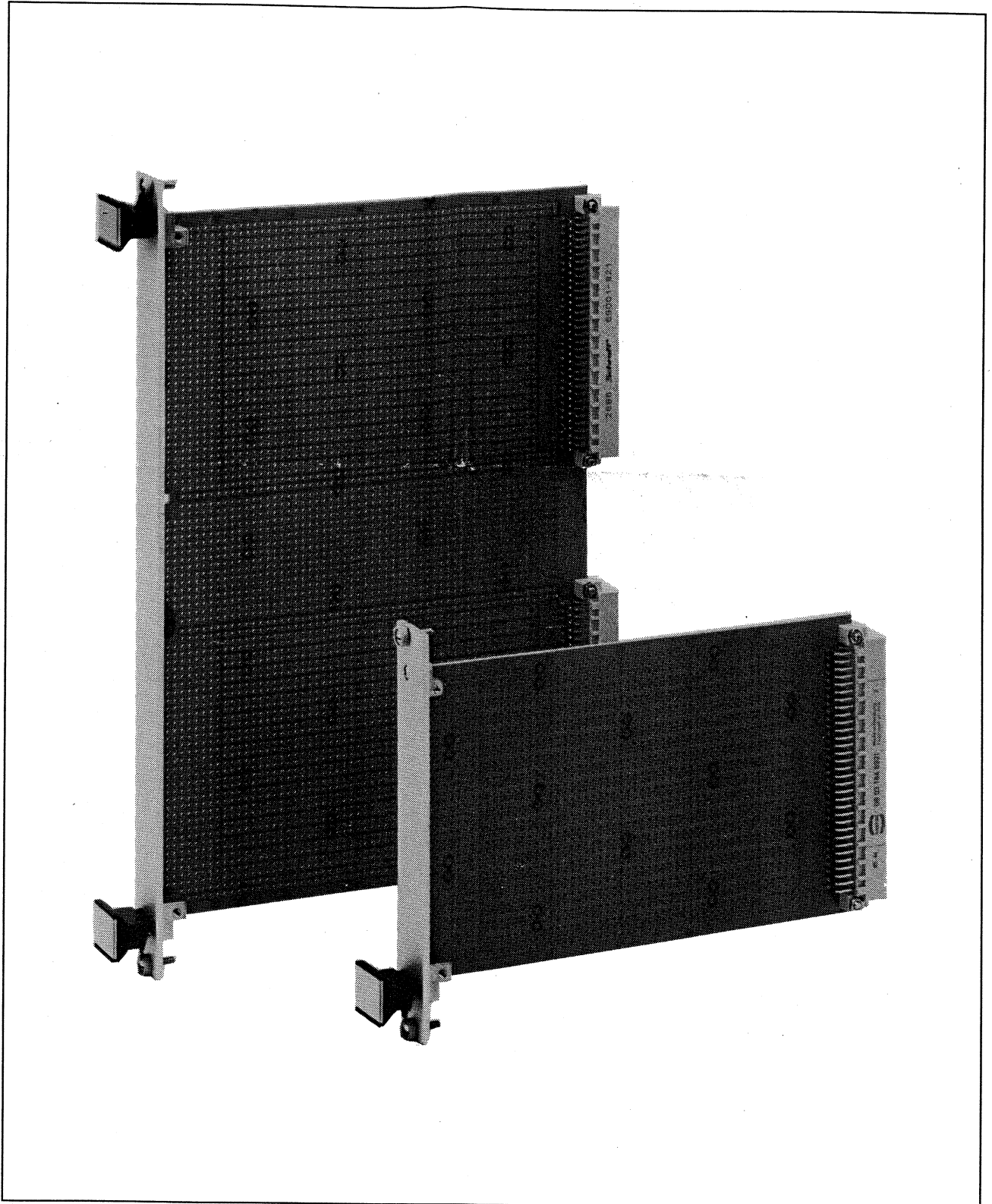
**Technical data:**

| Width | Height |
|-------|--------|
| 4 HP  | 3 U    |

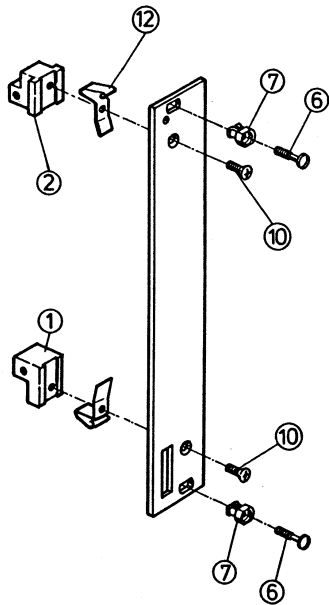
**Montageanweisung  
Aushebegriff für  
Steckbaugruppen  
Trapezform**

**Assembly Instructions  
Plug-in Units Type 2  
with Extractor Handle C**

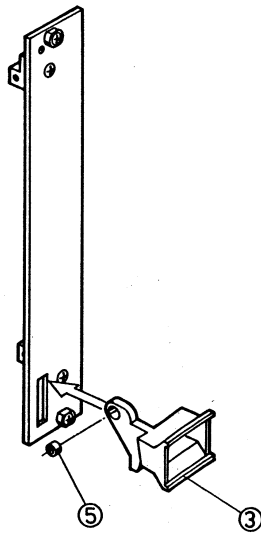
**Instructions de montage  
poignée d'extraction  
trapézoïdale pour bloc c**



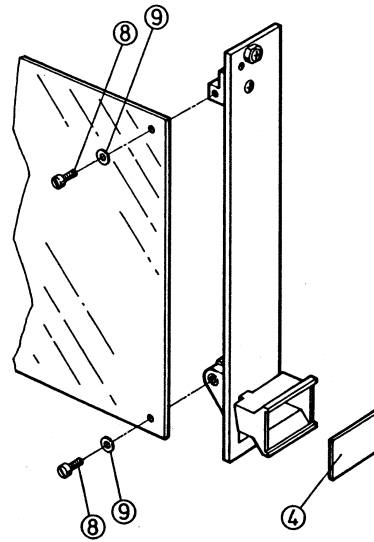
3 HE Standard



3 U standard

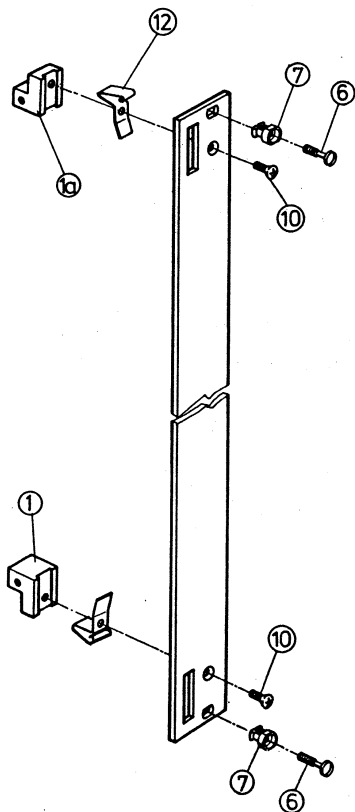


3 U standard

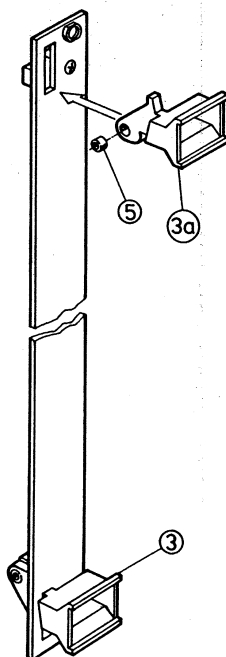


A3/354

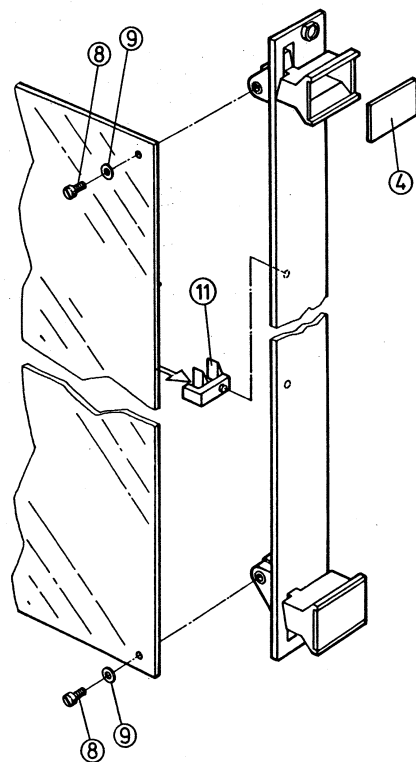
6 HE Standard



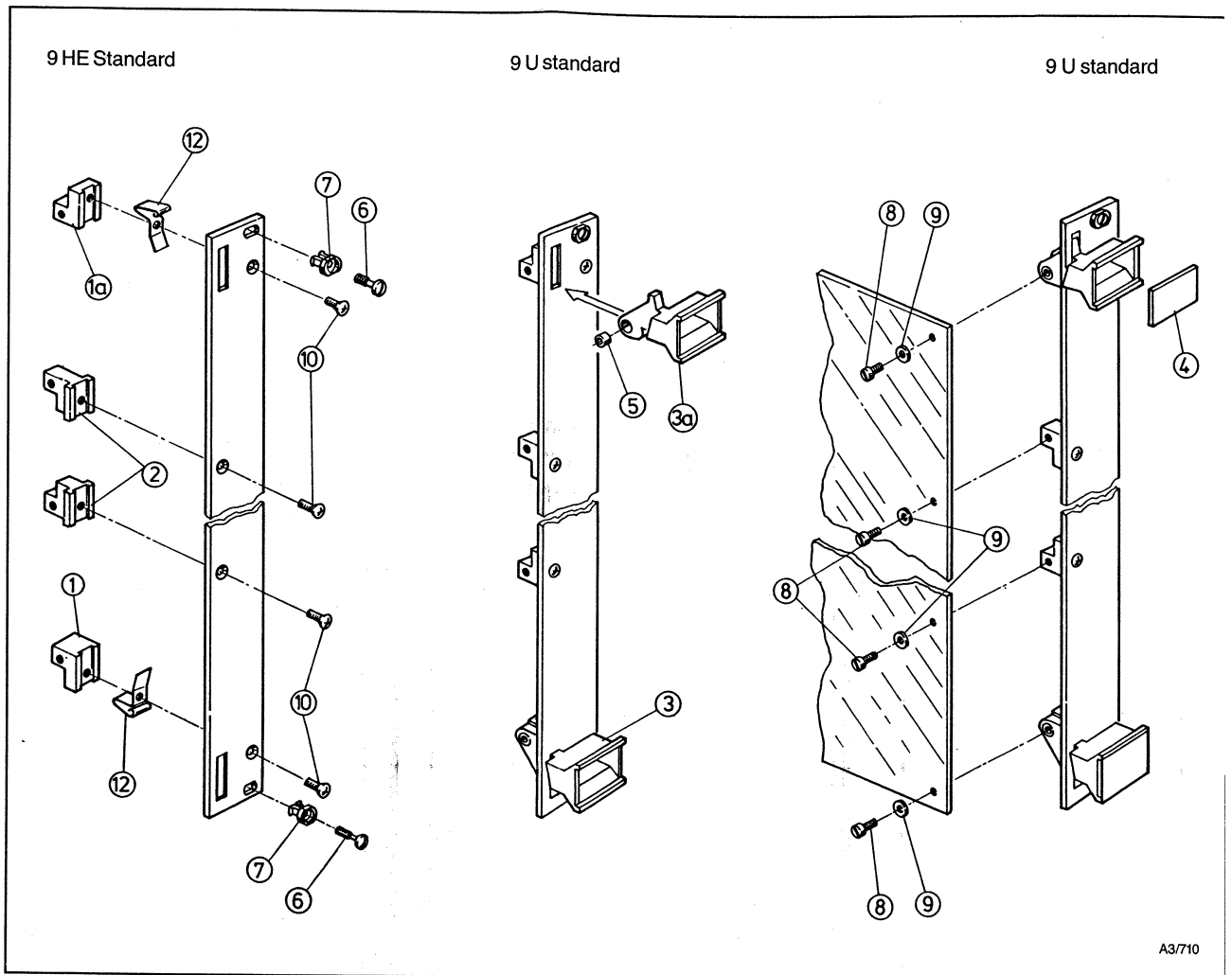
6 U standard



6 U standard



A3/355

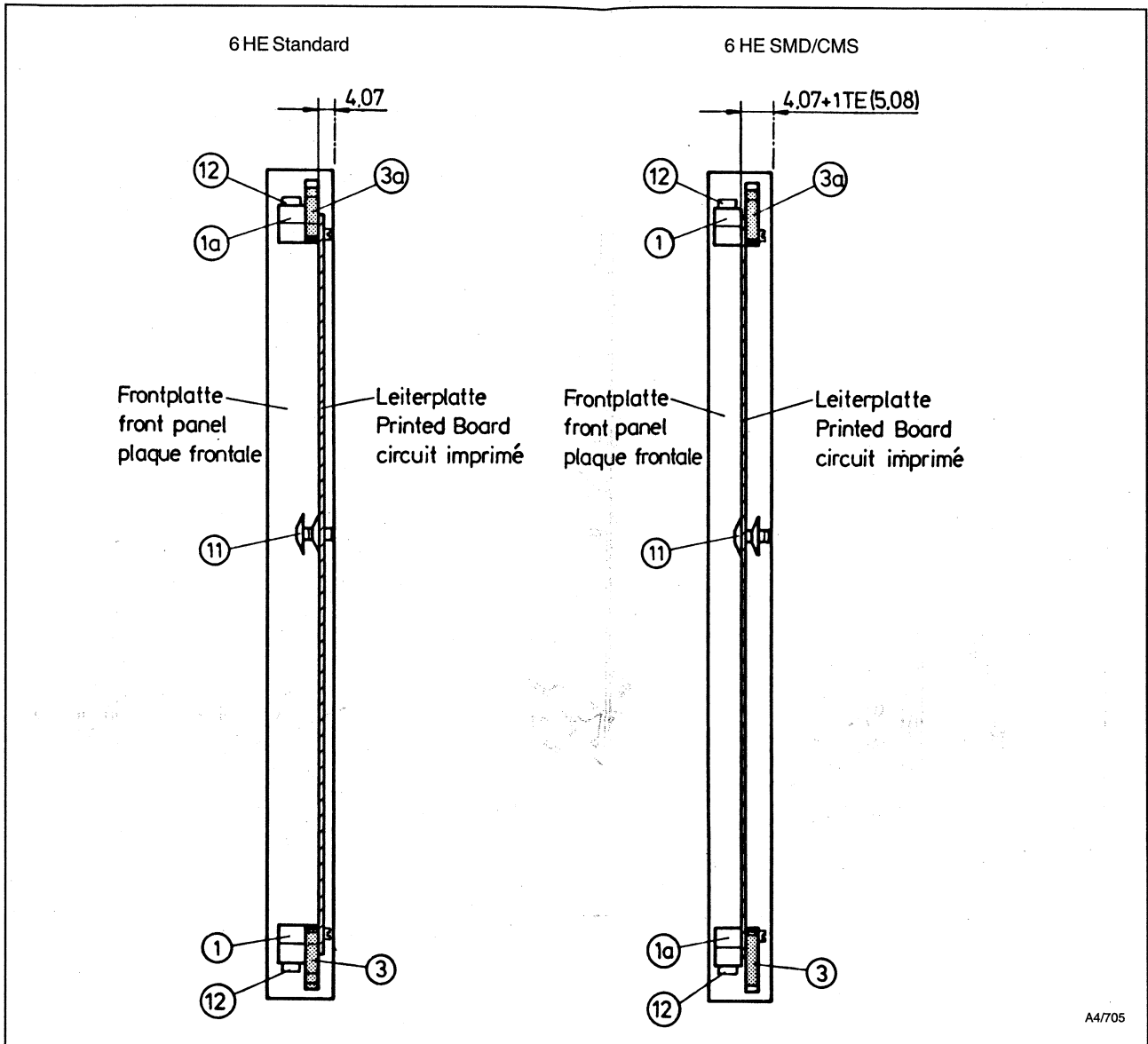


A3/710

- ① Leiterplattenhalter, unten (bei SMD oben)
- ①a Leiterplattenhalter, oben (bei SMD unten)
- ② Leiterplattenhalter
- ③ Aushebegriff unten
- ③a Aushebegriff oben
- ④ Beschriftungsblende
- ⑤ Buchse
- ⑥ Halsschraube M 2,5 × 11
- ⑦ Nippel
- ⑧ Zylinderkopfschraube M 2,5 × 8
- ⑨ Scheibe
- ⑩ Linsensenkschraube M 2,5 × 8
- ⑪ Leiterplattenhalter mitte
- ⑫ Kontaktfeder

- ① Board holder, bottom (top for SMD)
- ①a Board holder, top (bottom for SMD)
- ② Board holder, top 3 U
- ③ Extractor handle, bottom
- ③a Extractor handle, top
- ④ Identification plate
- ⑤ Bush
- ⑥ Collar screw M 2,5 × 11
- ⑦ Sleeve
- ⑧ Cheese head screw M 2,5 × 8
- ⑨ Washer
- ⑩ Raised c/sk screw M 2,5 × 8
- ⑪ Board holder middle
- ⑫ Contact springs

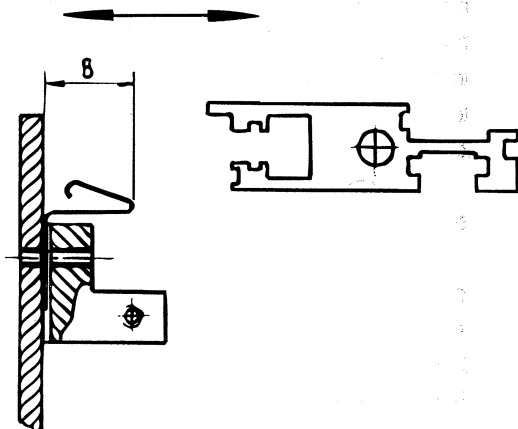
- ① équerre de carte inférieure (avec CMS en haut)
- ①a équerre de carte supérieure (avec CMS en bas)
- ② équerre de carte
- ③ poignée extractrice inférieure
- ③a poignée extractrice supérieure
- ④ plaque d'identification
- ⑤ douille
- ⑥ vis à gorge M 2,5 × 11
- ⑦ oeillet
- ⑧ vis à tête cylindrique M 2,5 × 8
- ⑨ rondelle
- ⑩ vis à tête fraisée M 2,5 × 8
- ⑪ support central de circuit imprimé
- ⑫ ressort de contact



9 HE SMD/CMS auf Kundenanfrage  
möglich

9 U on request

9 U CMS possible sur demande  
du client



**europac PRO**

Montageanweisung  
EMC - Dichtung

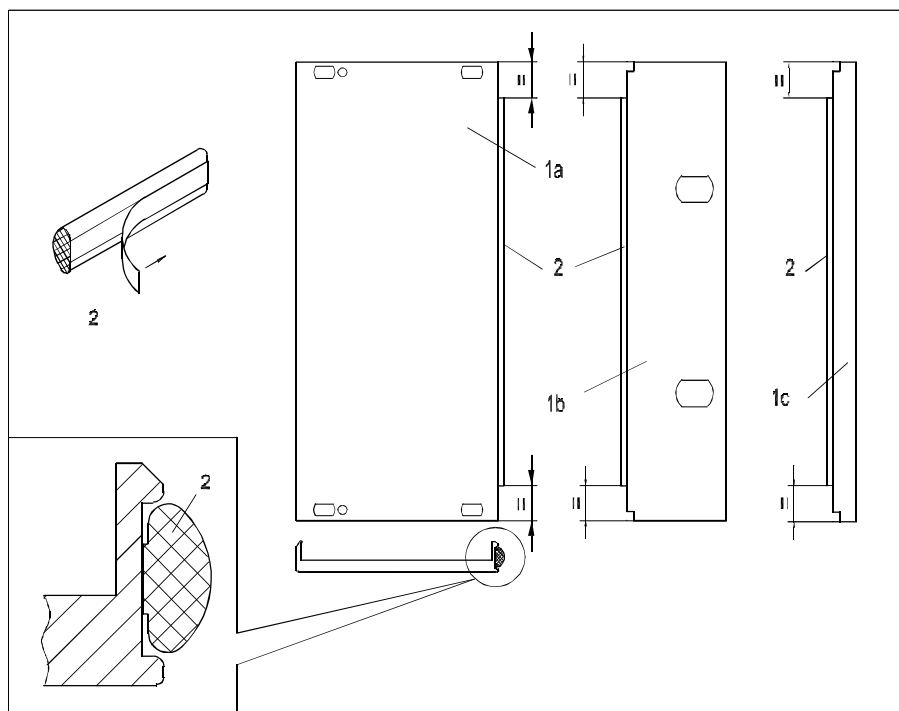
Assembly instructions  
EMC gasket

Instructions de montage  
Joints EMC

1 a(1x)      1 b(1x)      1 c(1x)      2

| Pos. 1* | Pos. 2 |
|---------|--------|
| Item 1* | Item 2 |
| Rep. 1* | Rep. 2 |
| a       |        |
| b       | 1x     |
| c       |        |

\* Pos.1 ist im Lieferumfang nicht enthalten      \* Item.1 is not supplied      \* Rep.1 non compris dans la livraison



## X-ON Electronics

Largest Supplier of Electrical and Electronic Components

*Click to view similar products for [schroff](#) manufacturer:*

Other Similar products are found below :

[24566-125](#) [14575171](#) [14575271](#) [14576145](#) [14575265](#) [20117-156](#) [20817772](#) [20827088](#) [20846211](#) [20860229](#) [21100777](#) [23022602](#) [23130082](#)  
[24571331](#) [24571586](#) [24572066](#) [24822075](#) [26230-374](#) [30817-001](#) [30825080](#) [20849021](#) [20860240](#) [23001021](#) [24560080](#) [24571303](#)  
[24572054](#) [24572056](#) [30219-113](#) [20848-410](#) [20838-125](#) [20860-601](#) [20860-633](#) [10225-602](#) [10225-623](#) [10828058](#) [13100103](#) [28230-439-C](#)  
[24563-457](#) [24563-444](#) [20848-601](#) [21101-853](#) [24563-134](#) [24564-431](#) [24827-107](#) [24563-142](#) [24563-157](#) [24563-442](#) [A265HC-5.80EH](#) [24561-331](#) [10225640](#)