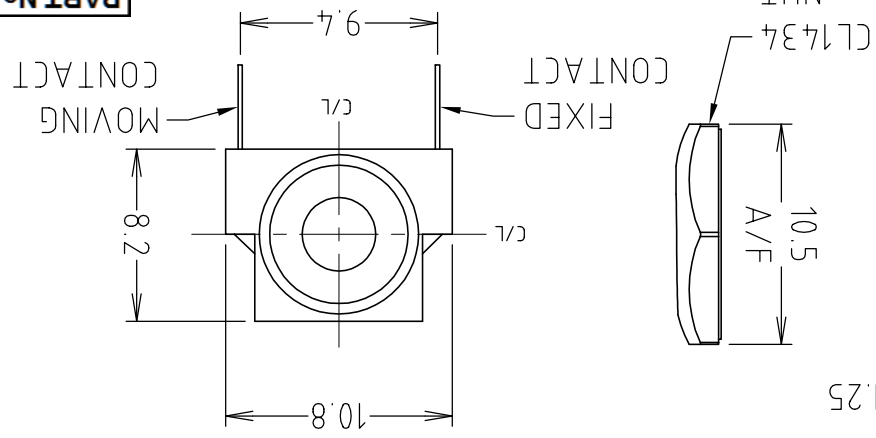
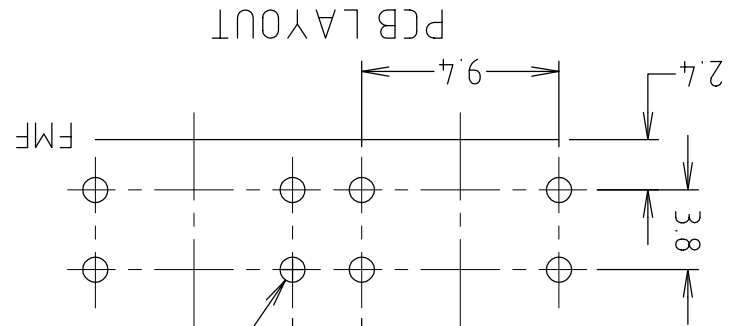


- NOTES:
- S6 SOCKETS ARE ONLY GUARANTEED TO PERFORM THE SWITCH (SS) FUNCTION.
 - USERS REQUIRING BREAK (B) OR MAKE (M) FUNCTIONS MUST SATISFY THEMSELVES THAT THE PRODUCT IS SUITABLE FOR THEIR APPLICATIONS.
 - CLIFF ACCEPTS NO RESPONSIBILITY FOR USE OUTSIDE THE (SS) FUNCTION.
 - MAXIMUM PANEL THICKNESS 3.0mm
 - ALL JACKS MADE WITH CURLY REAR CONTACT (CRC) EXCEPT CL1362 (SS).
 - NOW ALL USE CURLY REAR CONTACTS SOME MODELS ARE DUPLICATED e.g. CL1384 / CL13841.
 - NUTS 1x PER SUPPLIED UNASSEMBLED.
 - FOR VARIANTS NOT LISTED PLEASE CONTACT CLIFF SALES.
 - MATERIAL: JACK PBT (BLACK)
 - MATERIAL: CONTACTS NICKEL SILVER (TIN PLATED)
 - MATERIAL: NUT BRASS (NICKEL PLATED)



PART No	DESCRIPTION	TYPE	NUT
CL1372	S6/SB/6.0mm PCB	A	YES
CL1384	S6/BB/6.0mm PCB	A	YES
CL1385	S6/BB/NN/6.0mm PCB	A	NO
CL1389	S6/MB/6.0mm PCB	A	YES
CL1391	S6/MM/6.0mm PCB	A	YES
CL13843	S6/BB/NN/5.5mm PCB	B	NO
CL13845	S6/BB/5.5mm PCB	B	YES
CL1362	S6/SS/SOLDER TAG	C	YES
CL1382	S6/BB/SOLDER TAG	C	YES
CL1388	S6/MB/SOLDER TAG	C	YES
CL1390	S6/MM/SOLDER TAG	C	YES

ISS.	AMEND	DATE
1	REDRAWN	17/01/91
2	VARIANTS ADD	01/02/95
3	NOTE ADDED	01/03/95
4	CL1386 DELETED	13/10/97
5	ERR TOL WAS 0.2	17/11/98
6	# AMENDED	29/01/99
7	CL13845 ADDED	09/04/02
8	CRC ALL. VAR DEL	14/06/13
9	CL13842/44 DELETED	24/06/13



TOLERANCE
 NO DEC. PLACE ±
 1 DEC. PLACE ± 0.15
 2 DEC. PLACE ±
 HOLE Ø ±
 ANGLES ± 1/2°
 UNLESS OTHERWISE STATED

X-ON Electronics

Largest Supplier of Electrical and Electronic Components

Click to view similar products for [cliff](#) manufacturer:

Other Similar products are found below :

[SRP1 BLACK](#) [CL1423](#) [CL1432](#) [CL159825BA](#) [CL19192RB](#) [CL2160B TP/6 CS](#) [CL-SFE/1 FILTERS](#) [HFRP-01](#) [S2/BBB \(CL1220A\)](#)
[CIH206011](#) [CL14218](#) [CP30117](#) [CP30214M](#) [FM686813](#) [CL11607](#) [CL12345](#) [CL1308G](#) [CL13106G](#) [CP22R](#) [CP30152](#) [CP30211](#) [CP303011X](#)
[CL1406](#) [CL15501A](#) [CL1572](#) [CL681561](#) [CP30173](#) [CP30176](#) [CP30178](#) [CP30179](#) [CP30180](#) [CP30500C](#) [CP30202M3](#) [FCR1295](#) [FCR2065](#)
[FCR7360B](#) [FM686816](#) [CIH29950](#) [CP30225SM](#) [CP30170](#) [CP30174](#) [CIH684216](#) [FW6190](#) [CP30182](#) [CP30184](#) [CP30202M](#) [CIH3021](#)
[CP30208NMB](#) [CP30222SMB](#) [CP30230X](#)