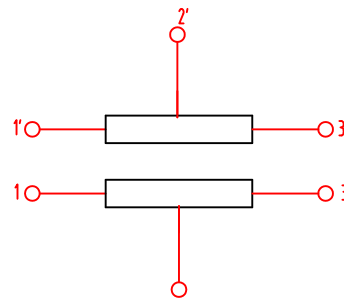
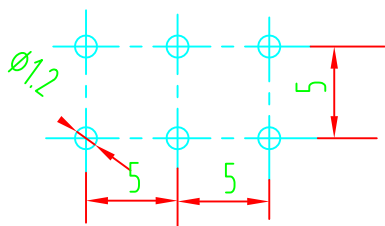
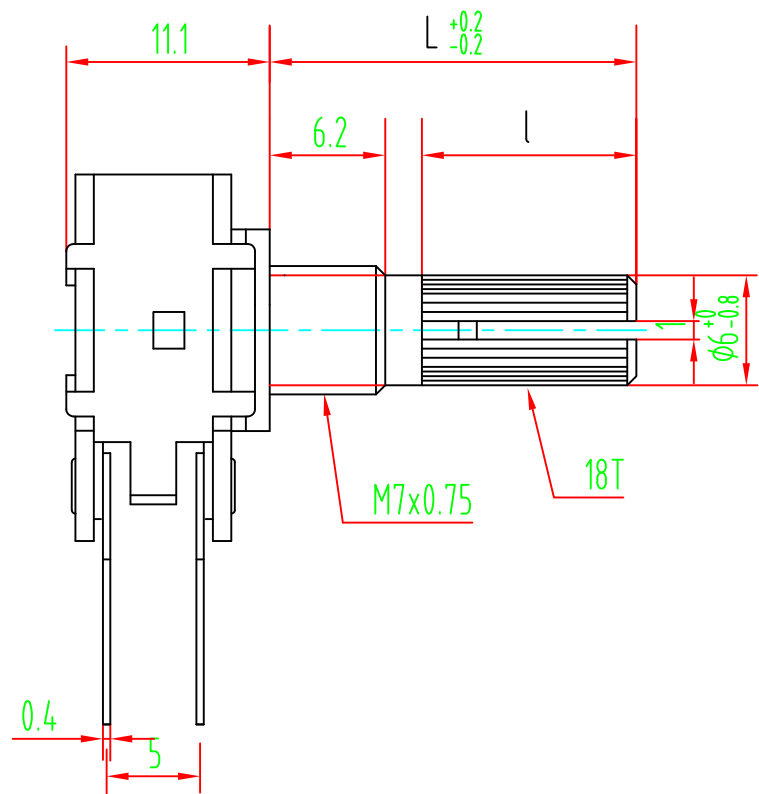
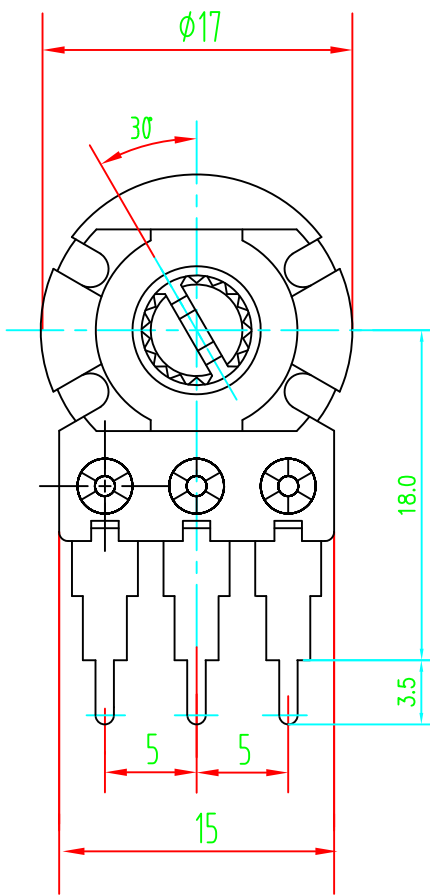


1	Electrical specifications	
1.1	Total Resistance	1K Ω ~500K Ω \pm 20%
1.2	Resistance taper	A、 B
1.3	Voltage proof	1 Minute At 500V AC
1.4	Rotational noise	Less than 100mV
1.5	Tracking error	0~ - 40dB \pm 3dB
1.6	Rated wattage	Curve B:0.125W Other than B: 0.063W
1.7	Max operating voltage	Curve B:200V AC Other curve B: 150V AC
1.8	Residual resistance	R1,2 < 5 Ω ; R2,3 < 10 Ω
1.9	Insulation resistance	\geq 100M Ω at DC500V
1.10	Operating Temperature	-10 ~ 60 $^{\circ}$ C
2	Mechanical specifications	
2.1	Drawing	See the attachment
2.2	Total rotation angle	300 \pm 5 $^{\circ}$
2.3	Rotation Torque	2~20mN.m (20~200gf.cm)
2.4	Shaft stop strength	> 6Kgf.cm
2.5	Push pull strength	60N
2.6	Switch Rotational Angle	/
2.7	Switch Contact Resistance	/
2.8	Rotary life	10,000cycle



L	12	15 ✓	18	20
l	4.5	7 ✓	12	12

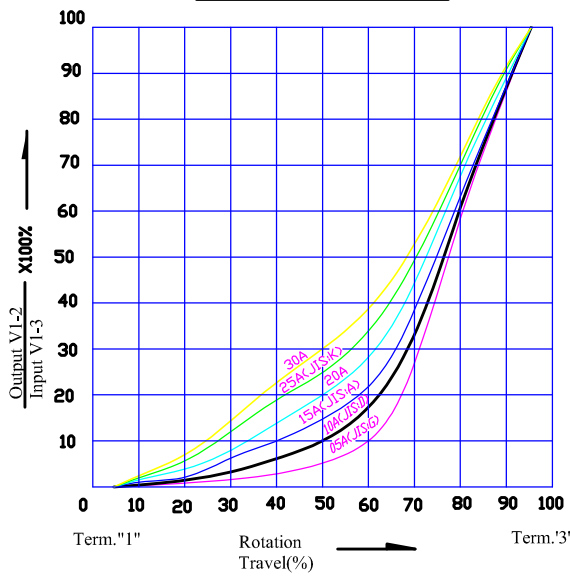
2				5			
1				4			
	DATE	REVISION	APPROVED	3			
			MODER:			DRAWING NO:	
DWN	DHKD	APPD					

Resistance taper 電阻規律曲線類型

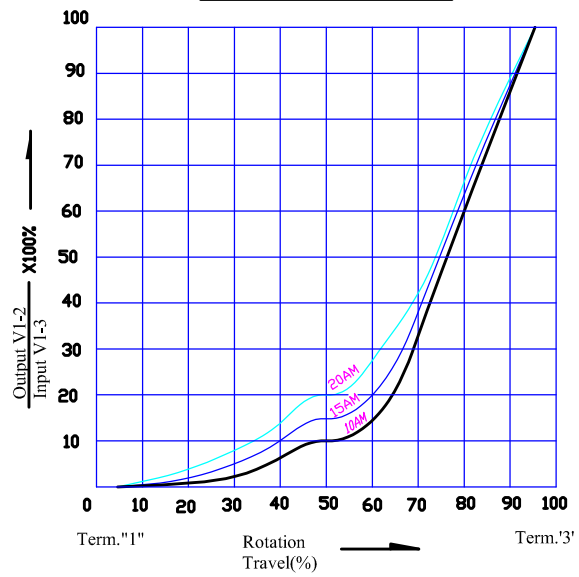
Pattern of resistance curve



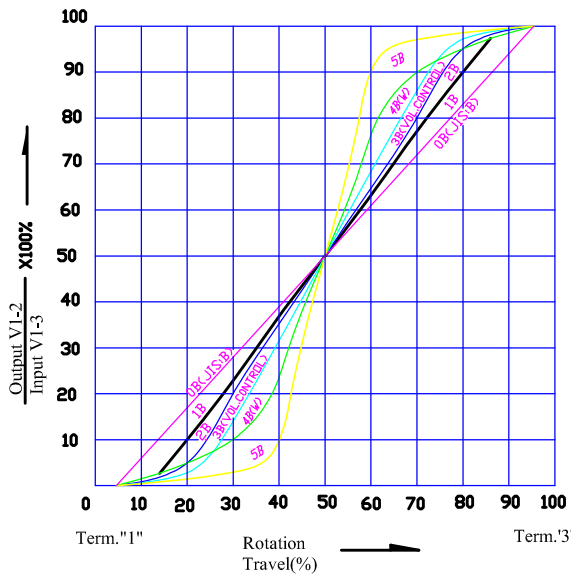
TAPERS (A) SERIES



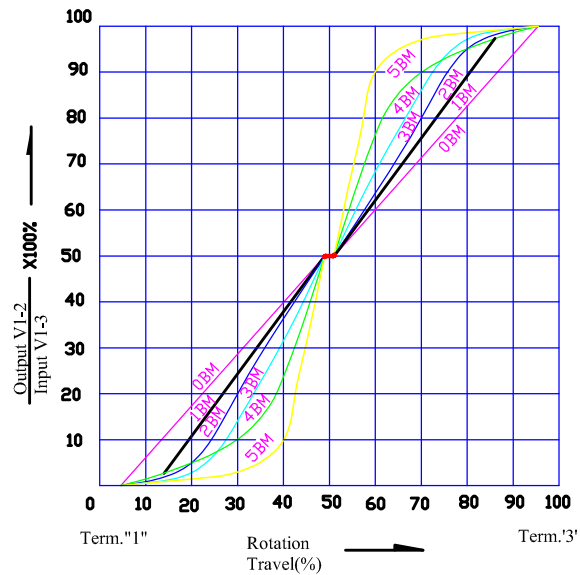
TAPERS (A) WITH 50% TAP



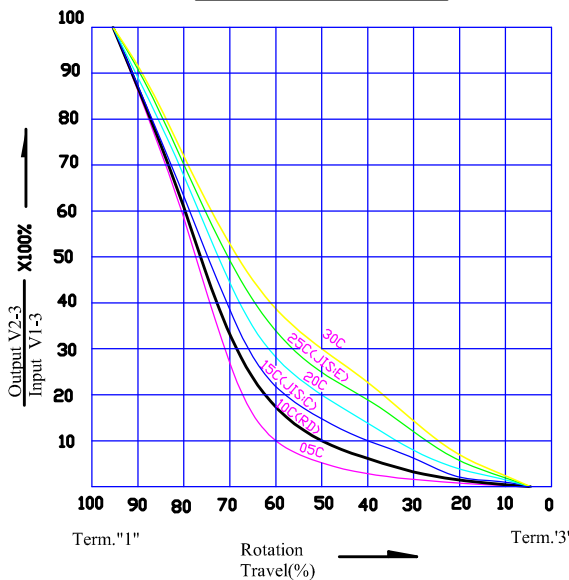
TAPERS (B) SERIES



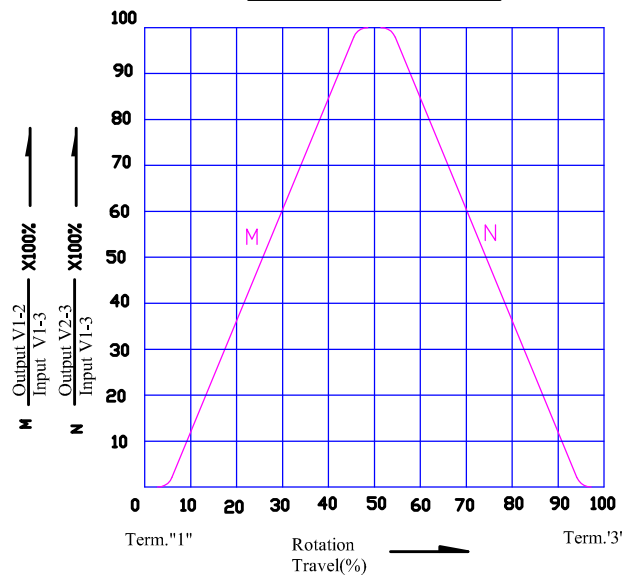
TAPERS (B) WITH 50% TAP



TAPERS (C) SERIES



TAPERS (M) & (N)



X-ON Electronics

Largest Supplier of Electrical and Electronic Components

Click to view similar products for [Trimmer Resistors - Through Hole](#) category:

Click to view products by [SR Passives](#) manufacturer:

Other Similar products are found below :

[56PR250K](#) [M63M102KB30T607](#) [M63M103KB40](#) [M63M501KB40](#) [M63P102KB30T607](#) [M63P202KB40](#) [M63P203KB30T607](#)
[M63P203KB40](#) [M63P205KB30T607](#) [M63P501KB40](#) [M63P502KB40](#) [M63S102KB40](#) [M63S103KB40](#) [M63X101KB40](#) [M63X103KB40](#)
[M63X104KB40](#) [M63X501KB40](#) [M63X503KB40](#) [M70Y102KB25](#) [76PR500K](#) [79PR5K](#) [1500](#) [P8PY103KB25](#) [CT6P-103](#) [M63M102KB40](#)
[M63M104KB40](#) [M63M502KB40](#) [M63P102KB40](#) [M63P103KB40](#) [M63P104KB30T607](#) [M63P104KB40](#) [M63P201KB40](#) [M63P204KB40](#)
[M63P504KB40](#) [M63S203KB40](#) [M63S502KB40](#) [M63X105KB40](#) [M63X502KB40](#) [M70Y203KB25](#) [M70Y502KB25](#) [T9YA472KT20](#)
[404806505008](#) [388N-100](#) [409HA102M](#) [4270W105K](#) [099168D](#) [55PR20K](#) [56PR2MEG](#) [67WR200RLF](#) [82PR2KLFTB](#)