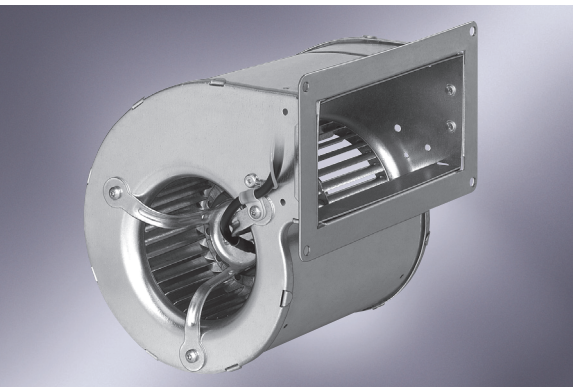


AC centrifugal blowers

dual inlet, Ø 097



- Material: scroll housing and impeller made of galvanized sheet steel
- Mounting: SAL (standard external-rotor) motor mounted via brackets on one side of the scroll housing

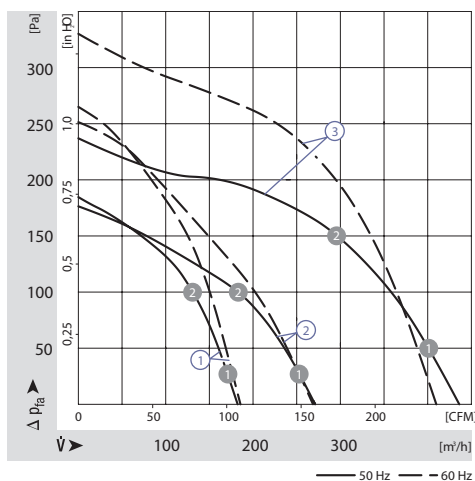
ebm-papst · Mulfingen

Nominal data		Characteristic	Voltage	Frequency	Air flow	Speed/rpm	Power input	Current draw	Capacitor	Noise level	Min. back pressure	Perm. amb. temp.	Mass
Type	Motor		VAC	Hz	m ³ /h	min ⁻¹	W	A	µF/VDB	dB(A)	Pa	°C	kg
D2E 097-CB01 -12 ⁽¹⁾⁽³⁾	M2E042-CA		230	50	180	1650	42	0,19	1,5/400	47	0	60	1,3
D2E 097-CB01 -48 ⁽¹⁾⁽³⁾⁽⁴⁾	M2E042-CA	①	230	50	180	1650	42	0,19	1,5/400	47	0	60	1,3
D2E 097-CB01 -02 ⁽²⁾⁽³⁾	M2E042-CA		230	60	180	1650	42	0,20	1,5/400	47	0	60	1,3
D2E 097-BE01 -65 ⁽¹⁾⁽³⁾	M2E042-CA	②	230	50	270	1250	48	0,22	2,0/400	47	0	55	1,5
D2E 097-BE01 -02 ⁽²⁾⁽³⁾	M2E042-CA	②	230	60	265	1200	54	0,26	2,0/400	47	0	50	1,5
D2E 097-BI56 -48 ⁽¹⁾	M2E042-CA	③	230	50	435	1950	87	0,39	2,0/400	58	0	40	1,5
D2E 097-BI56 -02 ⁽²⁾	M2E042-CA	③	230	60	410	1850	100	0,45	2,0/400	57	0	35	1,5

subject to alterations ⁽¹⁾ With flange ⁽²⁾ Without flange ⁽³⁾ FPU (P2) capacitor in keeping with IEC 252 ⁽⁴⁾ With grill guard

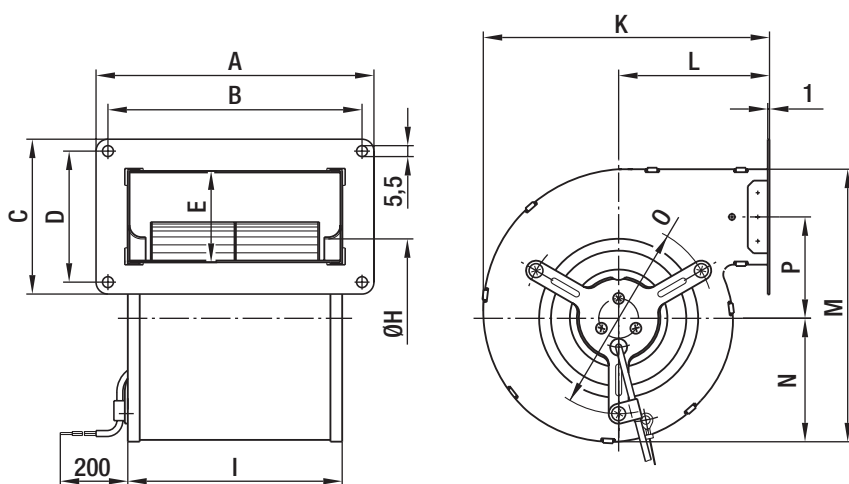
	n [min ⁻¹]	P ₁ [W]
① ①	1690	39
① ②	2090	36
② ①	1395	49
② ②	1900	45
③ ①	2150	83
③ ②	2475	73

Characteristics



Dimensions

Type	A	B	C	D	E	H	I	K	L	M	N	O	P
D2E 097-CB01 -12 D2E 097-CB01 -02	140	128	78	66	46	80,0	108	144	76	137	62	96	51,0
D2E 097-BE01 -65 D2E 097-BE01 -02	180	168	100	88	67	79,5	146	162	86	165	68	114	62,5
D2E 097-BI56 -48 D2E 097-BI56 -02	180	168	100	88	67	79,5	146	162	86	165	68	114	62,5



X-ON Electronics

Largest Supplier of Electrical and Electronic Components

Click to view similar products for [AC Fans](#) category:

Click to view products by [ebm papst](#) manufacturer:

Other Similar products are found below :

[M2E068-DF13-79](#) [F1238H24B-FHR](#) [8850A](#) [G9225S05B2-FSR](#) [A2D200-AA04-41](#) [A2E165-AA17-01](#) [R2D140-AB02-14](#) [R4D310-AS18-01](#)
[R4D400-AD22-06](#) [R4E180-AS11-09](#) [AD0912HB-A7BGL](#) [1500-FAN-01](#) [25.001.1856.0](#) [25.320.1153.1](#) [25.320.1353.1](#) [25.320.4753.1](#)
[25.320.5453.1](#) [25.330.1353.1](#) [25.330.4853.1](#) [25.330.5153.1](#) [25.330.5353.1](#) [25.340.1053.1](#) [25.350.5253.0](#) [25.600.4053.0](#) [272DL-2LP11-000](#)
[S2E250-AL06-70](#) [A2D210-AB10-05](#) [A2D240-AA02-02](#) [A2D250-AE22-06](#) [A2E170-AF23-01](#) [F1238S24BT-FSR](#) [25.000.1856.0](#)
[25.000.2056.0](#) [25.010.1856.0](#) [25.220.3953.1](#) [25.332.2453.1](#) [25.340.0453.1](#) [25.345.5353.0](#) [25.352.1853.0](#) [281DS-2LP11-000B](#) [281DY-](#)
[1LP14-000B](#) [298DM-2LP11-000](#) [298DS-2LP11-000A](#) [R2S150-AD08-09](#) [344DY-1LP11-000](#) [D2E146-CD51-09](#) [39.703.0253.0](#)
[USTF1203224VHW](#) [3915100996-SA3](#) [3G2C7MC224](#)