

Accessories

Cannon offers a wide selection of accessories that allow the design engineers to configure the product for their exacting needs. The accessories range from the simple actuating handle to junction and backshells, as well as polarizing posts and protective covers for the contacts.

**Actuating handles** are the same for the DL1/2/3 and DLM1/2/3 series. The DL5/DLM5 and DLM6 series have specific handles. Handles are sold separately since many applications require the connector to be attached or removed only by an authorized technician.

**Plastic junction shells** are available for the DL1/2/3 series for encasement of the crimp contacts after complete installation into the connector. These shells also make it possible for the DL to be used as a cable-to-cable mating connector as they can be used both on the plug and the receptacle. The DL1/2/3 plastic junction shells have optional secondary cable entry capability by removing the molded in cable entry plugs. Cable clamp kits are available to affix the cable to the second entry. This second entry option is very useful in applications where the large wire sizes make the cable diameter too large to be handled from a single entry port.

**Metal Backshells** are available for the entire DL/DLM series. The metal backshells are constructed from die cast aluminum with a nickel plating to facilitate in EMI/RFI shielding of the connector system. Shielding has become a driving force because of ever increasing stringent EMI/RFI regulations.



**Polarizing posts** are available to offer a keying feature for both the DL and DLM connectors. The polarizing posts can be installed in specific orientation so that plugs of the same size connectors can only be mated in predetermined receptacles. This feature offers the designer the ability to fool-proof the attachment possibilities to protect accidental damage to the system.

**Protective covers** of plastic and anti-static rubber are available to offer contact protection from physical damage or dust. Since the DL series has a high density of contacts in an exposed area, these covers are very useful for many applications. For example: where systems have multiple connectors; when the connections are often left unattached; or when the system parts are put into storage.

Accessories Selection Guide

Connector Series	Actuating Handles see page 47	Protective Covers		Metal Shell EMI/RFI Shielding see page 49	Plastic Junction Shell see page 46	Cable Clamps see page 46	Metal Backshell see pages 44-45	Polarizing Posts see page 48
		Rubber see page 47	Plastic see page 47					
DL1-156	●	●	●	-	●	●	●	●
DL2-96	●	●	●	-	●	●	●	●
DL3-60	●	●	●	-	●	●	●	●
DL4-624	-	●	-	-	-	-	-	-
DL4-1248	-	●	-	-	-	-	-	-
DL4-2496	-	●	-	-	-	-	-	-
DL5-260	●	-	-	●	-	-	●	●
DLM1-156	●	●	●	-	●	●	●	●
DLM2-96	●	●	●	-	●	●	●	●
DLM3-60	●	●	●	-	●	●	●	●
DLM5-260	●	-	-	-	-	-	●	●
DLM6-360	●	-	-	-	-	-	●	●
DLD1-156	-	-	-	-	-	-	-	-
DLD2-96	-	-	-	-	-	-	-	-

● Compatible  
- Not Compatible

Accessories

Metal Backshell

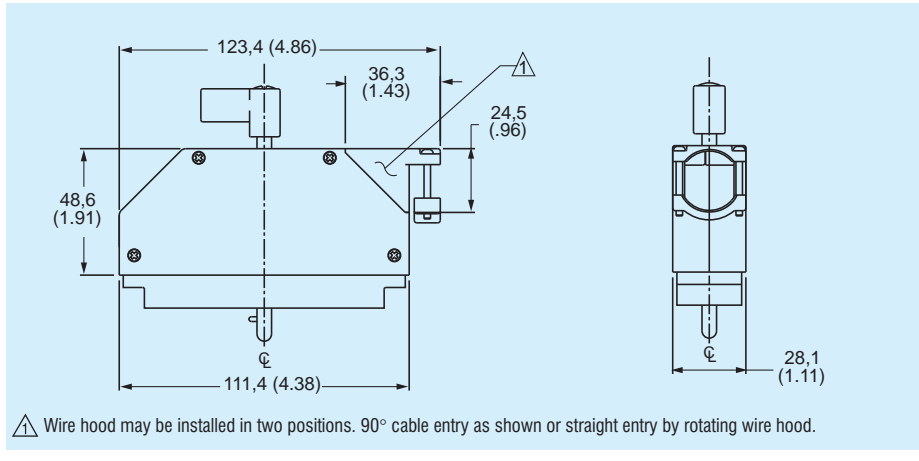
DL1, DLM1



- DL1, DLM1 is a two piece shell design.
- Kit consists of 2 shells, 10 screws, 1 wire hood, 1 wire clamp, 1 lock/open indication seal.

Materials and Finishes

Shell:	Nickel over die cast aluminum
Hardware:	Stainless Steel



Used On	Part Number	Mounting	Max Cable Entry
DL1, DLM1	249-4516-000	Straight or 90°	19,05 (.750)

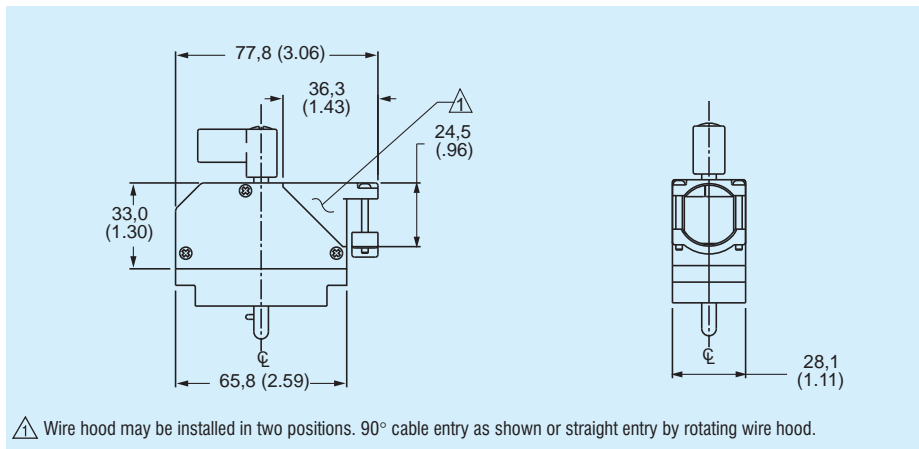
DL2, DLM2



- DL2, DLM2 is a two piece shell design.
- Kit consists of 2 shells, 9 screws, 1 wire hood, 1 wire clamp, 1 lock/open indication seal.

Materials and Finishes

Shell:	Nickel over die cast aluminum
Hardware:	Stainless Steel



Used On	Part Number	Mounting	Max Cable Entry
DL2, DLM2	249-4517-000	Straight or 90°	19,05 (.750)

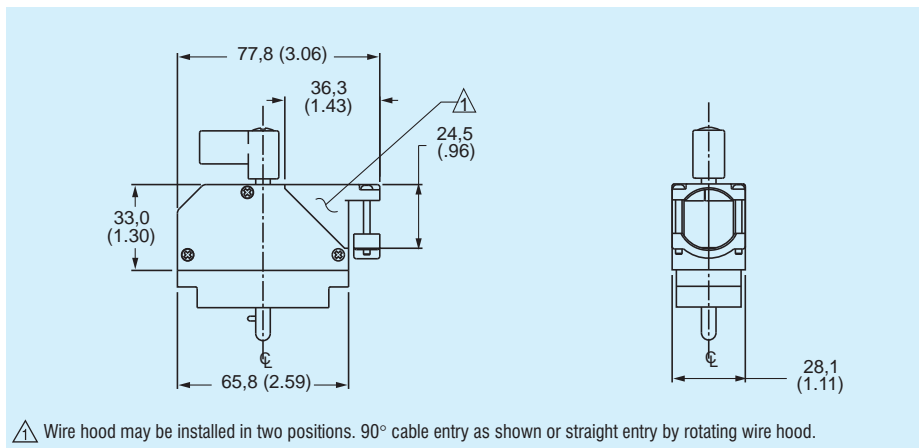
DL3, DLM3



- DL3, DLM3 is a two piece shell design.
- Kit consists of 2 shells, 9 screws, 1 wire hood, 1 wire clamp, 1 lock/open indication seal.

Materials and Finishes

Shell:	Nickel over die cast aluminum
Hardware:	Stainless Steel



Used On	Part Number	Mounting	Max Cable Entry
DL3, DLM3	249-4518-000	Straight or 90°	19,05 (.750)

Accessories

Metal Backshell

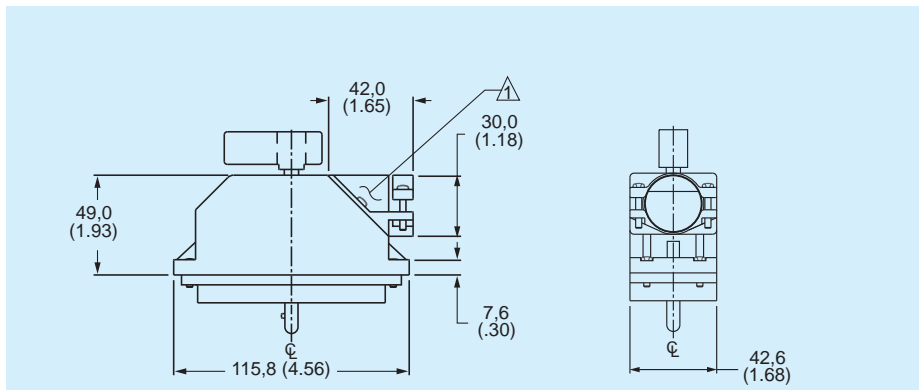
DL5, DLM5



- DL5, DLM5 is a one piece shell design.
- Kit consists of 1 shell, 8 screws, 1 wire hood, 1 wire clamp, 4 nuts.

Materials and Finishes

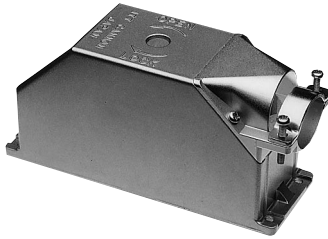
Shell:	Nickel over die cast aluminum
Hardware:	Stainless Steel



⚠ Wire hood may be installed in two positions. 90° cable entry as shown or straight entry by rotating wire hood.

Used On	Part Number	Mounting	Max Cable Entry
DL5, DLM5	249-4501-000	Straight or 90°	22,23 (.875)

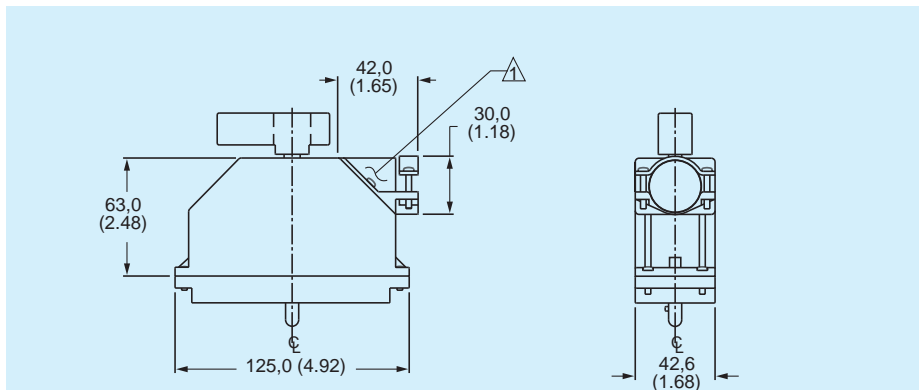
DLM6



- DLM6 is a one piece shell design.
- Kit consists of 1 shell, 8 screws, 1 wire hood, 1 wire clamp, 4 nuts.

Materials and Finishes

Shell:	Nickel over die cast aluminum
Hardware:	Stainless Steel



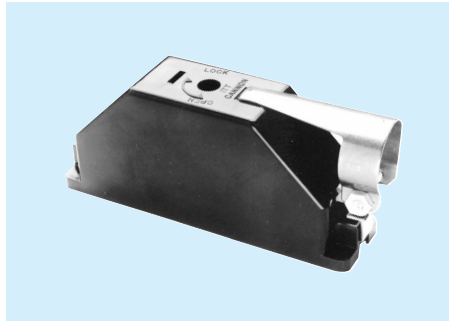
⚠ Wire hood may be installed in two positions. 90° cable entry as shown or straight entry by rotating wire hood.

Used On	Part Number	Mounting	Max Cable Entry
DLM6	249-4515-000	Straight or 90°	28,00 (1.102)

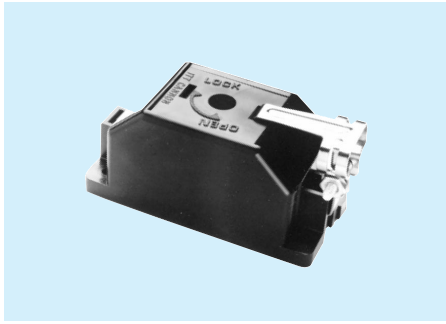
Accessories

Plastic Junction Shell Kits DL1, DL2, DL3

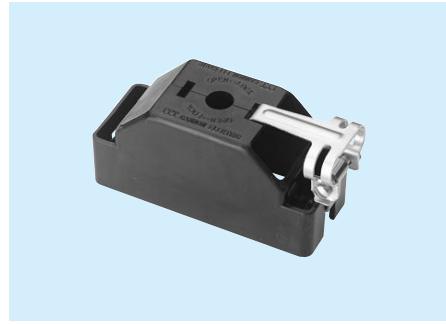
DL1-J/S



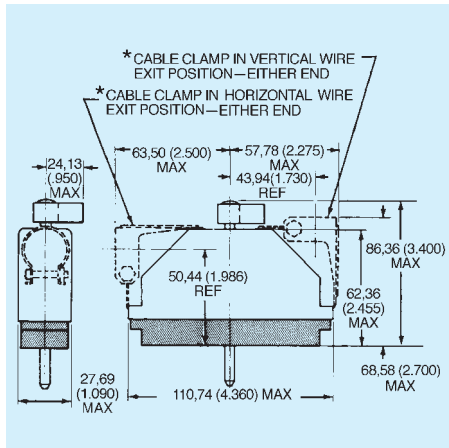
DL2-J/S



DL3-J/S

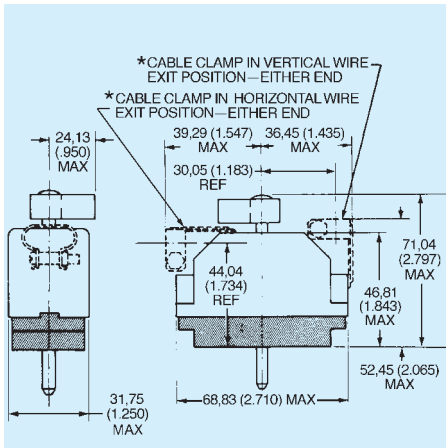


DL1 – Dimensions



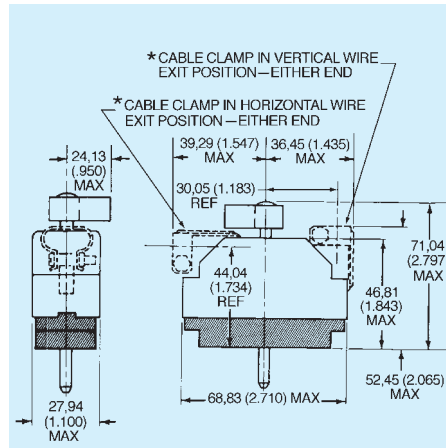
Note: DL1 shell is single piece.

DL2 – Dimensions



Note: DL2 is two piece shell.

DL3 – Dimensions



Note: DL3 is two piece shell.

- Stainless steel cable clamps.
- Thermoplastic UL 94V-1 rated.
- Straight, 90° or 45° cable entry.

- Accommodates up to 22,22 (.875) cable.
- For use with crimp contact connectors.

- Knockout plug provides alternate second entry.
- Complete with 4 attaching screws and nuts.
- Complete with one cable clamp kit.

Junction Shell Kit

Used On	J/S Kit	Part Number	Mounting	Max. Cable Entry
DL1, DLM1	DL1-J/S	249-1950-000	Straight or 90°	22,23 (.875)
DL2, DLM2	DL2-J/S	249-1985-000	Straight or 90°	14,20 (.560)
DL2, DLM2	DL2-2-J/S	249-2238-000	Straight or 90°	15,90 (.625)
DL2, DLM2	DL2-4-J/S	249-2238-001	Straight or 90°	22,23 (.875)
DL2, DLM2	DL2-1-J/S	249-1985-001	45°	15,90 (.625)
DL3, DLM3	DL3-J/S	249-2060-000	Straight or 90°	14,20 (.560)
DL3, DLM3	DL3-3-J/S	249-2237-000	Straight or 90°	15,90 (.625)
DL3, DLM3	DL3-4-J/S	249-2237-001	Straight or 90°	22,23 (.875)
DL3, DLM3	DL3-2-J/S	249-2060-001	45°	15,90 (.625)

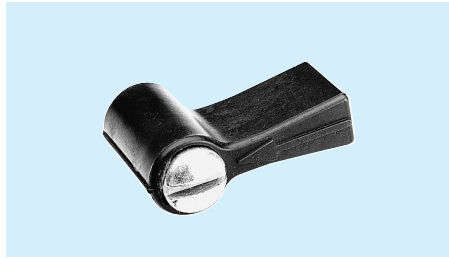
Cable Clamp Kit (For optional second entry)

Used On	C/C Kit	Part Number	Mounting	Max. Cable Entry
DL1	DL1-C/C	218-0179-000	Straight or 90°	22,23 (.875)
DL2, DL3	DL2-C/C	218-0180-000	Straight or 90°	14,20 (.560)
DL2, DL3	DL2-1-C/C	218-0181-000	45°	15,90 (.625)
DL2, DL3	DL2-2-C/C	218-0181-001	Straight or 90°	15,90 (.625)
DL2, DL3	DL2-3-C/C	218-0200-000	Straight or 90°	22,23 (.875)

Accessories

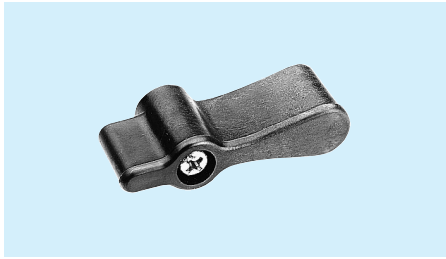
Actuating Handle Kit

DL1/2/3 & DLM1/2/3



- Provides a convenient method of actuating the contacts and cam for locking the connector.
- Kit provides actuating handle and attaching screw.
- Pointer on handle denotes “locked” and “open” positions.

DL5, DLM5



Handle Material: Glass-filled thermoplastic

DLM6



Handle for:	Part Number
DL1/2/3, DLM1/2/3	204-0016-000
DL5, DLM5	204-4501-000
DLM6	204-4500-000

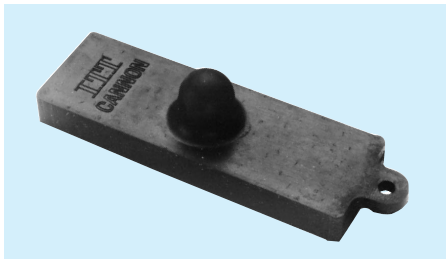
Protective Covers

Protective Covers – Rubber

- Fits snugly over mating faces.
- Prevents foreign matter from permeating contact cavities.

Material: Anti-static synthetic rubber – ASTM2BC520A14B14Z1.

DL, DLM Plug



Description	Part Number
DL1-156P	039-0242-000
DL2-96P	039-0244-000
DL3-60P	039-0246-000
DL4-624P	039-0239-000
DL4-1248P	039-0235-000
DL4-2496P	039-0237-000

DL, DLM Receptacle



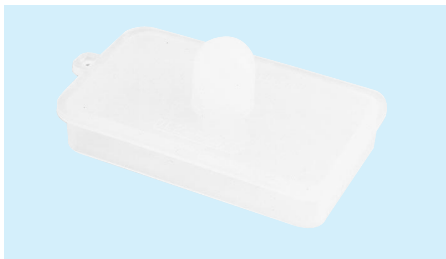
Description	Part Number
DL1-156R	039-0243-000
DL2-96R	039-0245-000
DL3-60R	039-0247-000
DL4-624R	039-0240-000
DL4-1248R	039-0236-000
DL4-2496R	039-0238-000

Protective Covers – Plastic

- Fits snugly over mating faces.
- Prevents foreign matter from permeating contact cavities.

Material: Polyethylene.

DL, DLM Plug

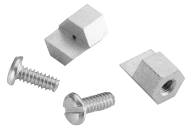


Description	Part Number
DL1-156P	025-0852-000
DL2-96P	025-0857-000
DL3-60P	025-0850-000

Accessories

Polarizing Posts

Corner Mounting\* for DL1/2/3, DLM6



Kit Number: 320-0021-006

- Kit contains 2 posts and 2 No. 4-40x9/32 pan head screws.
- Order 1 kit per connector.

Description	Material	Finish/Treatment
Post	Zinc	Yellow chromate over cadmium
Screw	Stainless Steel	Passivated

\*Corner mounting polarization is accomplished by replacing the nut with polarizing posts.

Corner Mounting\* for DL5, DLM5



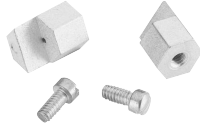
Kit Number: 320-4502-000

- Kit contains 4 posts and 4 M3x8 screws.
- Order 1 kit per connector.

Description	Material	Finish/Treatment
Post	Zinc	Nickel
Screw	Stainless Steel	Passivated

\*Corner mounting polarization is accomplished by replacing the nut with polarizing posts.

Center Mounting for DL1/2, DLM1/2



Kit Number: 320-0021-005

- Kit contains 2 posts and 2 No. 2-56x3/16 fil. head screws.
- Order 1 kit per connector.

Description	Material	Finish/Treatment
Post	Zinc	Clear chromate over cadmium
Screw	Steel	Clear chromate over cadmium

Corner Mounting\* for DLM1/2/3



Kit Number: 320-4505-000

- Kit contains 4 posts and 4 M2.5x12 screws.
- Order 1 kit per connector.
- For metal backshells.

Description	Material	Finish/Treatment
Post	Zinc	Nickel
Screw	Stainless Steel	Passivated

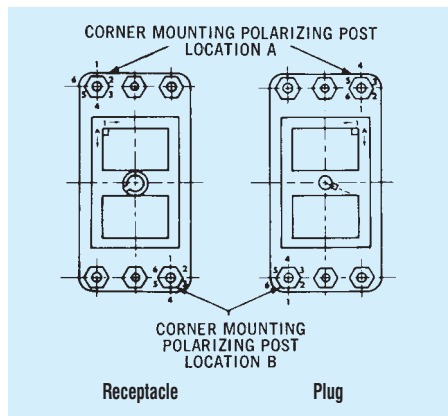
\*Corner mounting polarization is accomplished by replacing the nut with polarizing posts.

Recommended Key Nomenclature

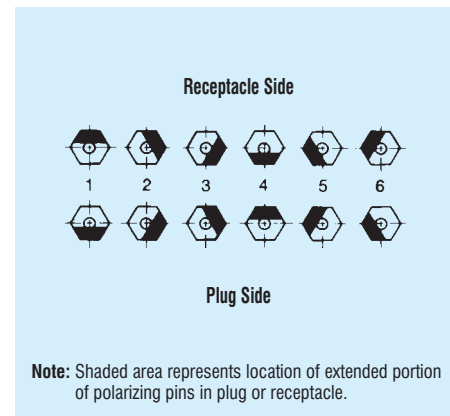
- Polarizing posts are a customer installed option.
- Recommended key nomenclature can be used for simple, opposite corner polarization.
- It is recommended that customers use their own configuration drawings.

Example:  
DL1-156RW4B32C describes a Size 1 receptacle connector with 156 front insertable/removable square post 50μ in. gold contacts with polarization position 3 at location A and position 2 at location B. (C ⇒ corner polarization). Receptacle DL1-156RW4B32C would mate with plug DL1-156PW4A32C

Corner Polarizing Post Layouts (for customer reference only)



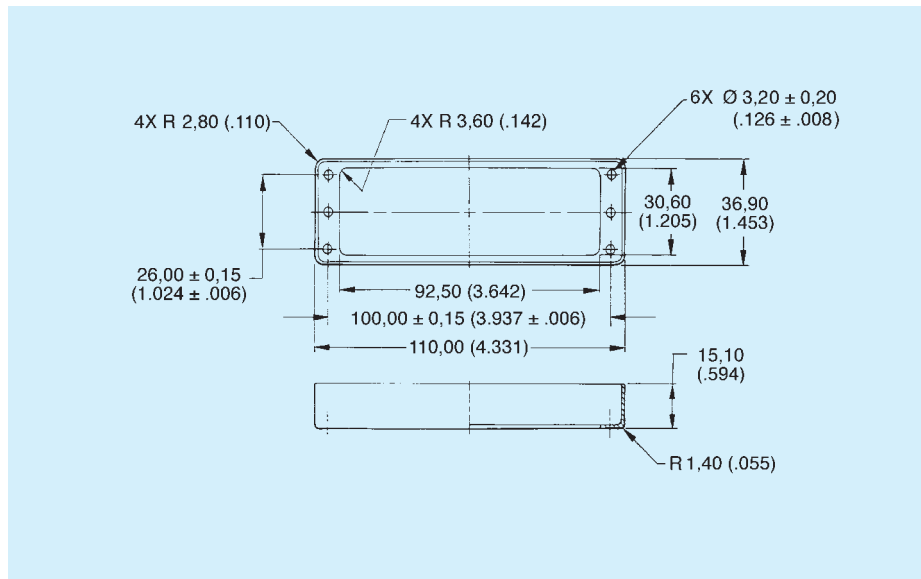
Reference views for Polarizing Arrangements



Accessories

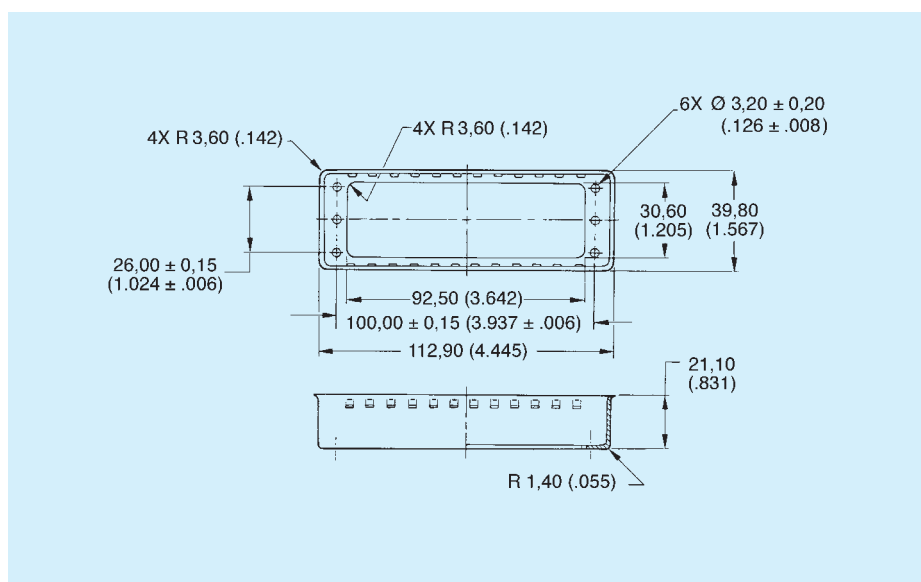
Metal Shells for EMI/RFI Shielding (Optional for DL5-260 Connector)

Plug



Description	Part Number	Material	Finish
Plug Shell	248-4500-000	Steel	Nickel

Receptacle



Description	Part Number	Material	Finish
Receptacle Shell	248-4501-000	Steel	Nickel

Accessories

## X-ON Electronics

Largest Supplier of Electrical and Electronic Components

*Click to view similar products for [Gate Drivers](#) category:*

*Click to view products by [ITT](#) manufacturer:*

Other Similar products are found below :

[00028](#) [00053P0231](#) [8967380000](#) [56956](#) [CR7E-30DB-3.96E\(72\)](#) [57.404.7355.5](#) [LT4936](#) [57.904.0755.0](#) [5801-0903](#) [5803-0901](#) [5811-0902](#)  
[5813-0901](#) [58410](#) [00576P0030](#) [00581P0070](#) [5882900001](#) [00103P0020](#) [00600P0005](#) [00-9050-LRPP](#) [00-9090-RDPP](#) [5951900000](#) [01-](#)  
[1003W-10/32-15](#) [LTI LA6E-1S-WH-RC-FN12VXCR1](#) [0131700000](#) [00-2240](#) [LTP70N06](#) [LVP640](#) [0158-624-00](#) [5J0-1000LG-SIL](#) [020017-13](#)  
[LY1D-2-5S-AC120](#) [LY2-0-US-AC120](#) [LY2-US-AC240](#) [LY3-UA-DC24](#) [00-5150](#) [00576P0020](#) [00600P0010](#) [LZNQ2M-US-DC5](#) [LZNQ2-](#)  
[US-DC12](#) [LZP40N10](#) [00-8196-RDPP](#) [00-8274-RDPP](#) [00-8275-RDNP](#) [00-8609-RDPP](#) [00-8722-RDPP](#) [00-8728-WHPP](#) [00-8869-RDPP](#) [00-](#)  
[9051-RDPP](#) [00-9091-LRPP](#) [00-9291-RDPP](#)