

188 series

30 Amp Power Relays

File E38802

File LR54109

Users should thoroughly review the technical data before selecting a product part number. It is recommended that users also seek out the pertinent approvals files of the agencies/laboratories and review them to confirm the product meets the requirements for a given application.

Features

- AC coils 6-240VAC 50/60 Hz., DC 6-110VDC.
- Single pole, double throw, double break/double make contacts.
- .250" combination quick connect/solder terminals or PC terminals.
- Various mounting options include stud, core, bracket, flange, PC board.
- Open-style relay or with dust cover.

Contact Data @ 25°C

Arrangements: 1 Form X (SPST-NO-DM), 1 Form Y (SPST-NC-DB and 1 Form Z (SPDT-NC/NO-DB/DM).

Material: Silver-cadmium oxide, .25" (6.5mm) dia.

Expected Mechanical Life: 10 million operations.

Initial Contact Resistance: 50 milliohms.

Contact Ratings

Contact Arrangement	UL Ratings	Expected Life
1 Form X, 1 Form Y & 1 Form Z	30A 120/240/277VAC 15A 480/600VAC 1 HP @ 120VAC, 1 1/2 HP @ 240VAC 2 HP @ 208/277VAC* 30A @ 28VDC	100,000 ops.

*2 HP rating at reduced electrical life, consult factory.

Initial Dielectric Strength

Between Open Contacts: >1,200V rms, 60 Hz.

Between All Other Mutually Isolated Elements: >2,500V rms, 60 Hz.

Coil Data @ 25°C

Voltage: 6-110VDC and 6-240VAC.

Nominal Power:

DC Coils: 1.2 Watts.

AC Coils: 3.0VA.

Duty Cycle: Continuous at up to 25% overvoltage.

Initial Insulation Resistance: 1,000 megohms, min. @ 500VDC

Insulation: Class B, 130°C.

Temperature Rise:

AC Coils:

Nominal Voltage: 35°C for open models.
45°C for enclosed models.

25% Overvoltage: 55°C for open models.
65°C for enclosed models.

DC Coils:

Nominal Voltage: 35°C for open models.
40°C for enclosed models.

25% Overvoltage: 50°C for open models.
55°C for enclosed models.

Coil Data

	Nominal Voltage	DC Resistance in Ohms ± 10%	Must Operate Voltage
DC Coils	6	32	4.5
	12	120	9.0
	24	470	18.0
	48	1,800	36.0
	110	11,000	82.5
AC Coils	6	4.2	5.1
	12	18	10.2
	24	72	20.4
	120	1,700	102.0
	208	5,400	176.8
	240	7,200	204.0

Operate Data @ 25°C

Must Operate Voltage:

DC Coils: 75% of nominal.

AC Coils: 85% of nominal.

Operate Time (Excluding Bounce): 20 milliseconds, max, at nominal voltage, no coil suppression.

Release Time (Excluding Bounce): 10 milliseconds, max, at nominal voltage, no coil suppression.

Environmental Data

Temperature Range (50/60 Hz operation, based on 105°C limit):

Operating

AC Coils: -45°C to +70°C for open models.
-45°C to +60°C for enclosed models.

DC Coils: -45°C to +80°C for open models.
-45°C to +70°C for enclosed models.

Storage

All: -65°C to +100°C.

Shock: 15g's, 11 ± 1 ms (non-operating, no mechanical damage).

Vibration: .1" double amplitude or 10 g's, 10-55 Hz. (operating, no contact chatter).

Mechanical Data

Termination: .250" quick connect/solder; and PC board.

Enclosure: Open or polycarbonate dust cover.

Weight: 3 oz. (86g) approximately.

Outline Dimensions

Typical Part No. > **188- 3 4 T 2 00**

1. Basic Series and Type:

188 = Open or Enclosed 30 Amp Power Relay.

2. Enclosure and Terminals:

- 1 = Open, Solder/Quick Connect Terminals.
- 2 = Plain Enclosure with 6-32 Tapped Core, Solder/Quick Connect Terminals
- 3 = Flanged Enclosure, Solder/Quick Connect Terminals
- 4 = Plain Enclosure with Mounting Bracket and Stud on Closed End, Solder/Quick Connect Terminals
- 5 = Plain Enclosure with Bottom Mounted 6-32 Stud, Solder/Quick Connect Terminals
- 6 = Plain Enclosure with Bottom Mounted Bracket, Solder/Quick Connect Terminals
- 7 = Open, Printed Circuit Board Terminals
- 8 = Plain Enclosure, Printed Circuit Board Terminals
- 0 = Special

3. Contact Arrangement:

4 = 1 Form X (SPST-NO-DM) 5 = 1 Form Y (SPST-NC-DB) 6 = 1 Form Z (SPDT-NC-NO, DB-DM) 0 = Special

4. Coil:

A = 6VDC M = 208VAC S = Special
 B = 12VDC N = 6VAC
 C = 24VDC P = 12VAC
 D = 48VDC Q = 24VAC
 F = 110VDC T = 120VAC
 U = 240VAC

5. Contacts:

2 = 1/4" (6.25mm) Diameter, Silver-Cadmium Oxide. 0 = Special

6. Standard or Special:

00 = Standard F0 = Class "F" Coil A1-Z9 = Special Construction or Feature

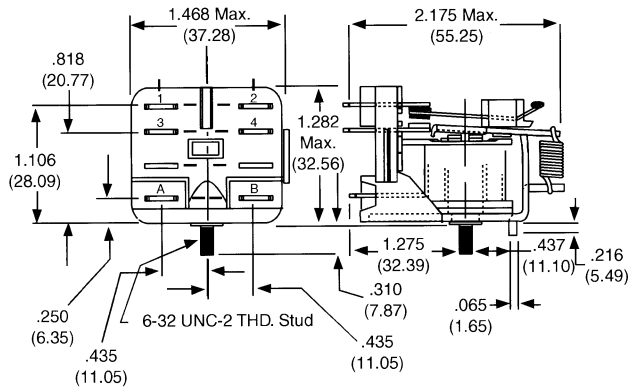
NOTE: No sockets are available for this relay.

Our authorized distributors are more likely to maintain the following items in stock for immediate delivery.

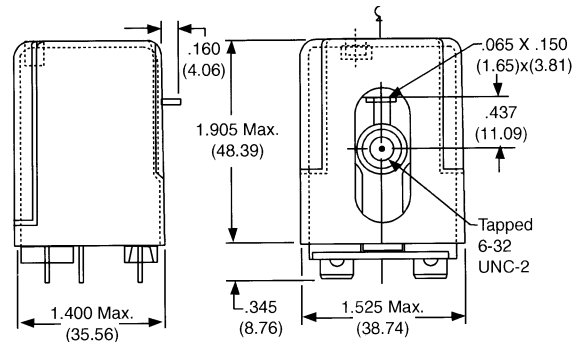
188-34B200 188-34T200 188-34C200 188-36Q200
 188-34C200 188-34Q200 188-36B200 188-36T200

Outline Dimensions

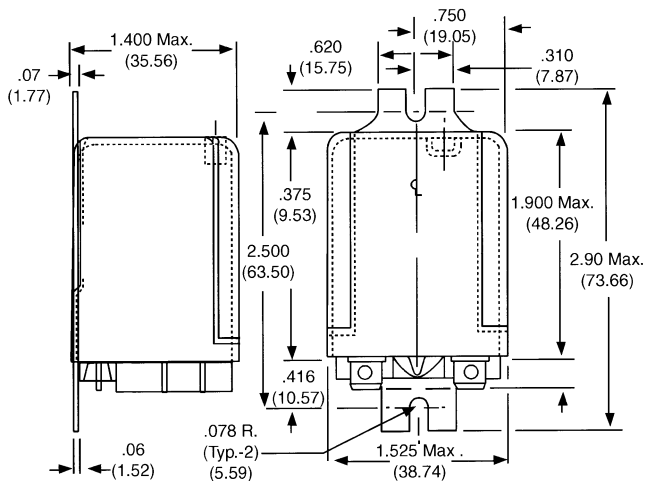
Open 188-1



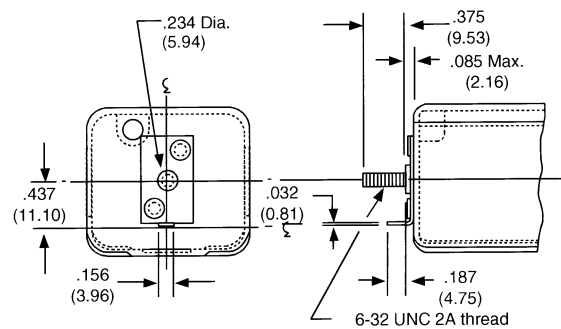
Dust Cover 188-2



Dust Cover with Mounting Flange 188-3

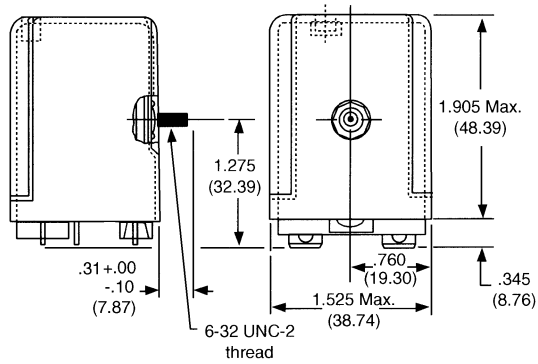


Dust Cover with Bracket and Stud on End 188-4

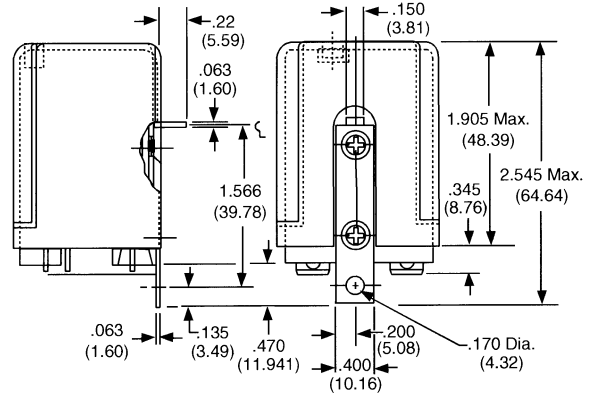


Outline Dimensions (Continued)

Bottom Stud 188-5

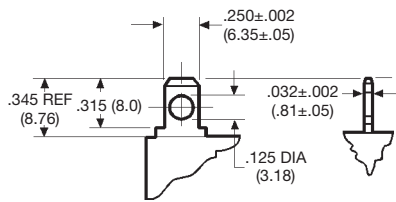


Bracket Mount 188-6

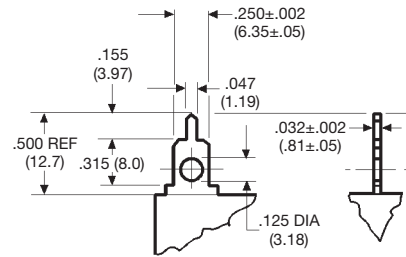


Terminal Dimensions

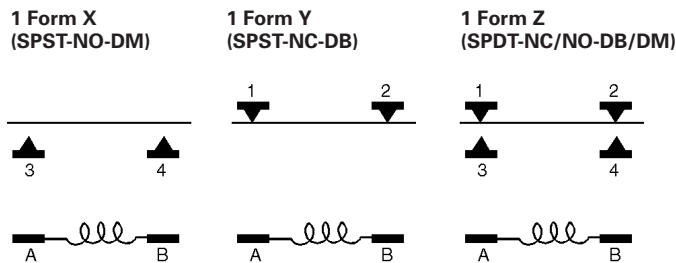
.250" (6.35mm) Quick Connect



Printed Circuit

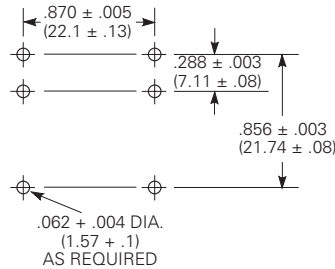


Wiring Diagrams



PC Board Layout (Bottom View)

Suggested PCB layout for 188 series relays with PCB terminals



Reference Only

Disclaimer

While Tyco Electronics has made every reasonable effort to ensure the accuracy of the information in this document, Tyco Electronics does not guarantee that it is error-free, nor does Tyco Electronics make any other representation, warranty or guarantee that the information is accurate, correct, reliable or current.

Tyco Electronics reserves the right to make any adjustments to the information contained herein at any time without notice. Tyco Electronics expressly disclaims all implied warranties regarding the information contained herein, including, but not limited to, any implied warranties of merchantability or fitness for a particular purpose.

The dimensions in this catalog are for reference purposes only and are subject to change without notice. Specifications are subject to change without notice. Consult Tyco Electronics for the latest dimensions and design specifications.

X-ON Electronics

Largest Supplier of Electrical and Electronic Components

Click to view similar products for [General Purpose Relays](#) category:

Click to view products by [TE Connectivity](#) manufacturer:

Other Similar products are found below :

[APF30318](#) [JVN1AF-4.5V-F](#) [PCN-105D3MHZ](#) [5JO-10000S-SIL](#) [5JO-1000CD-SIL](#) [5JO-400CD-SIL](#) [LY2S-AC220/240](#) [LYQ20DC12](#)
[6031007G](#) [6131406HQ](#) [6-1393099-3](#) [6-1393099-8](#) [6-1393122-4](#) [6-1393123-2](#) [6-1393767-1](#) [6-1393843-7](#) [6-1415012-1](#) [6-1419102-2](#) [6-](#)
[1423698-4](#) [6-1608051-6](#) [6-1608067-0](#) [6-1616170-6](#) [6-1616248-2](#) [6-1616282-3](#) [6-1616348-2](#) [6-1616350-1](#) [6-1616350-8](#) [6-1616358-7](#) [6-](#)
[1616359-9](#) [6-1616360-9](#) [6-1616931-6](#) [6-1617039-1](#) [6-1617052-1](#) [6-1617090-2](#) [6-1617090-5](#) [6-1617347-5](#) [6-1617353-3](#) [6-1617801-8](#) [6-](#)
[1617802-2](#) [6-1618107-9](#) [6-1618248-4](#) [M83536/1-027M](#) [CX-4014](#) [MAHC-5494](#) [MAVCD-5419-6](#) [703XCX-120A](#) [7-1393100-5](#) [7-1393111-7](#)
[7-1393144-5](#) [7-1393767-8](#)