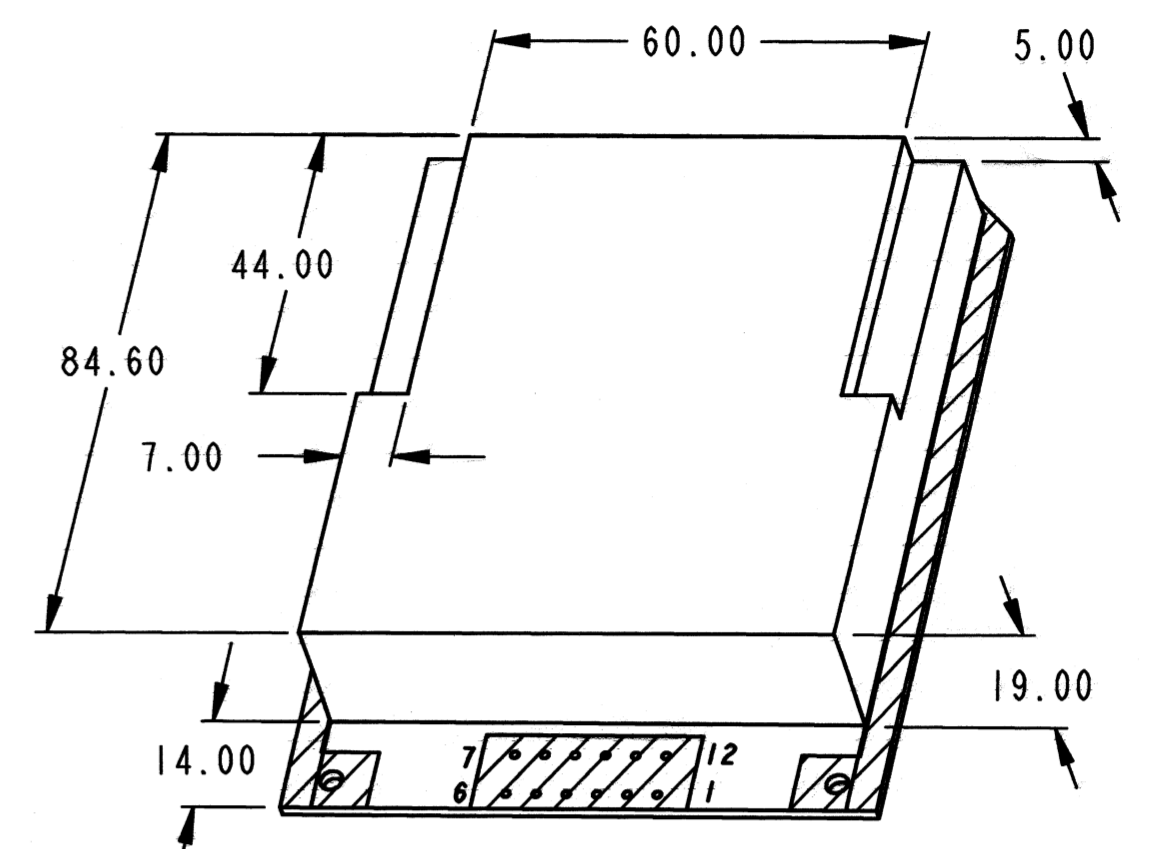
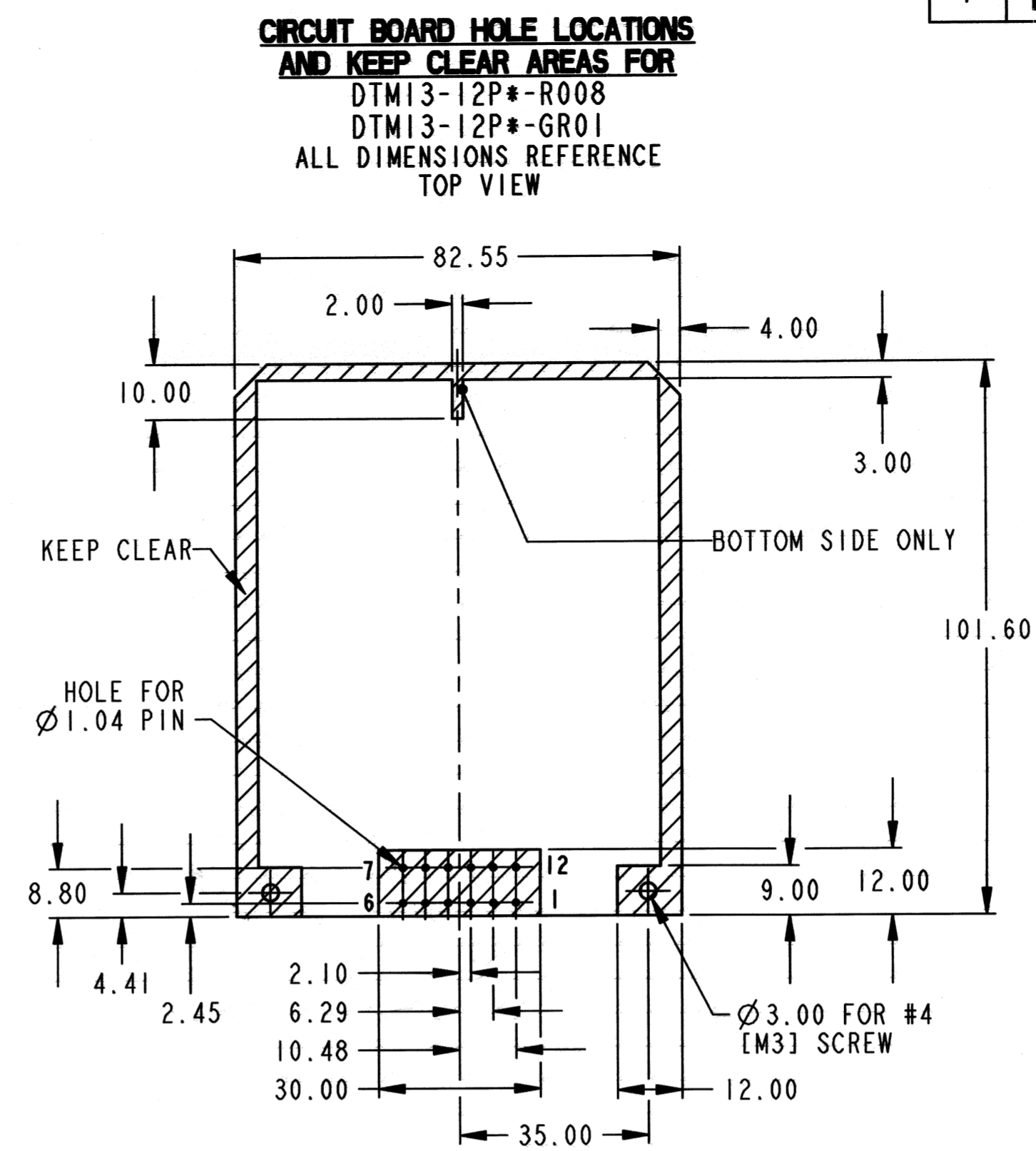
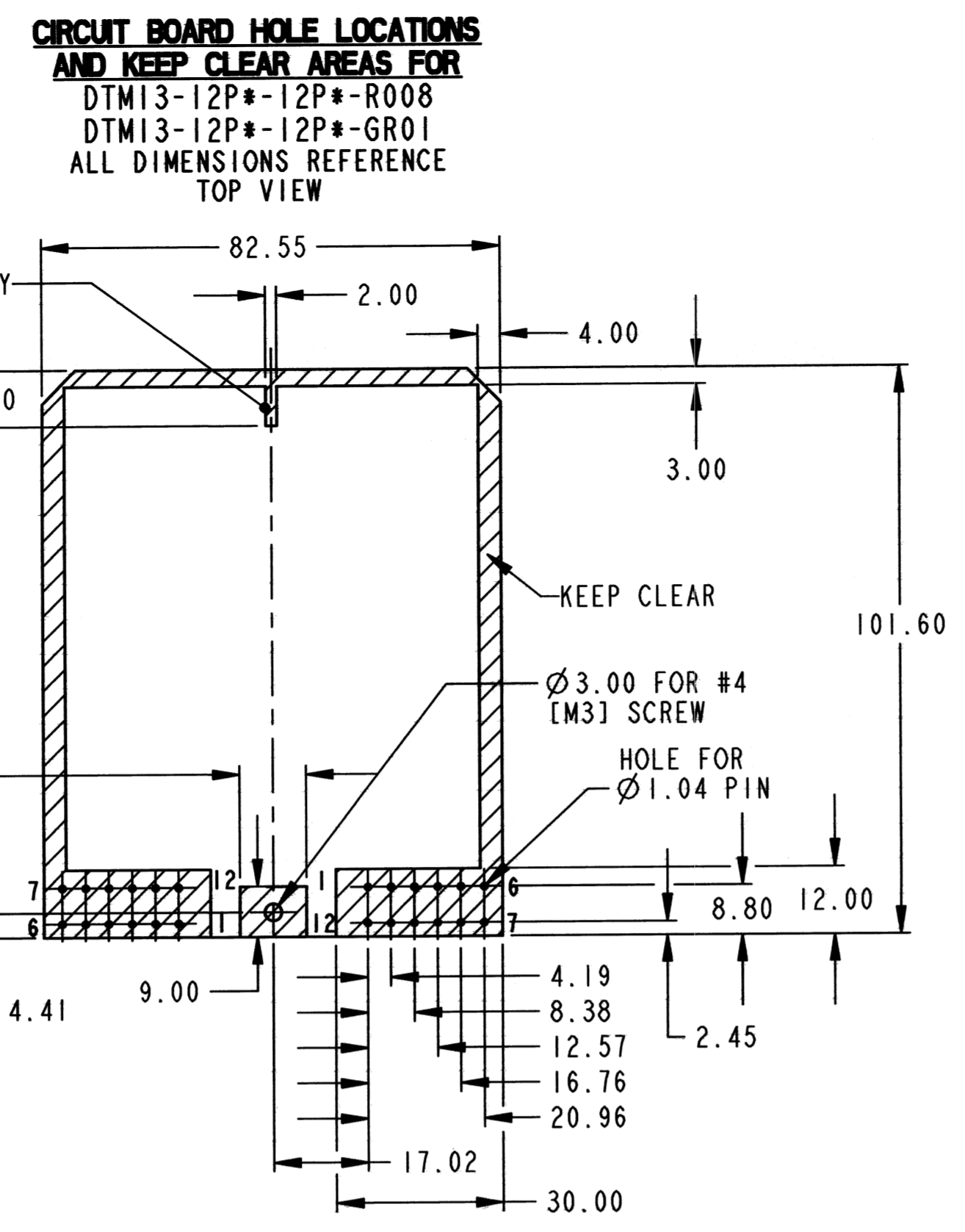
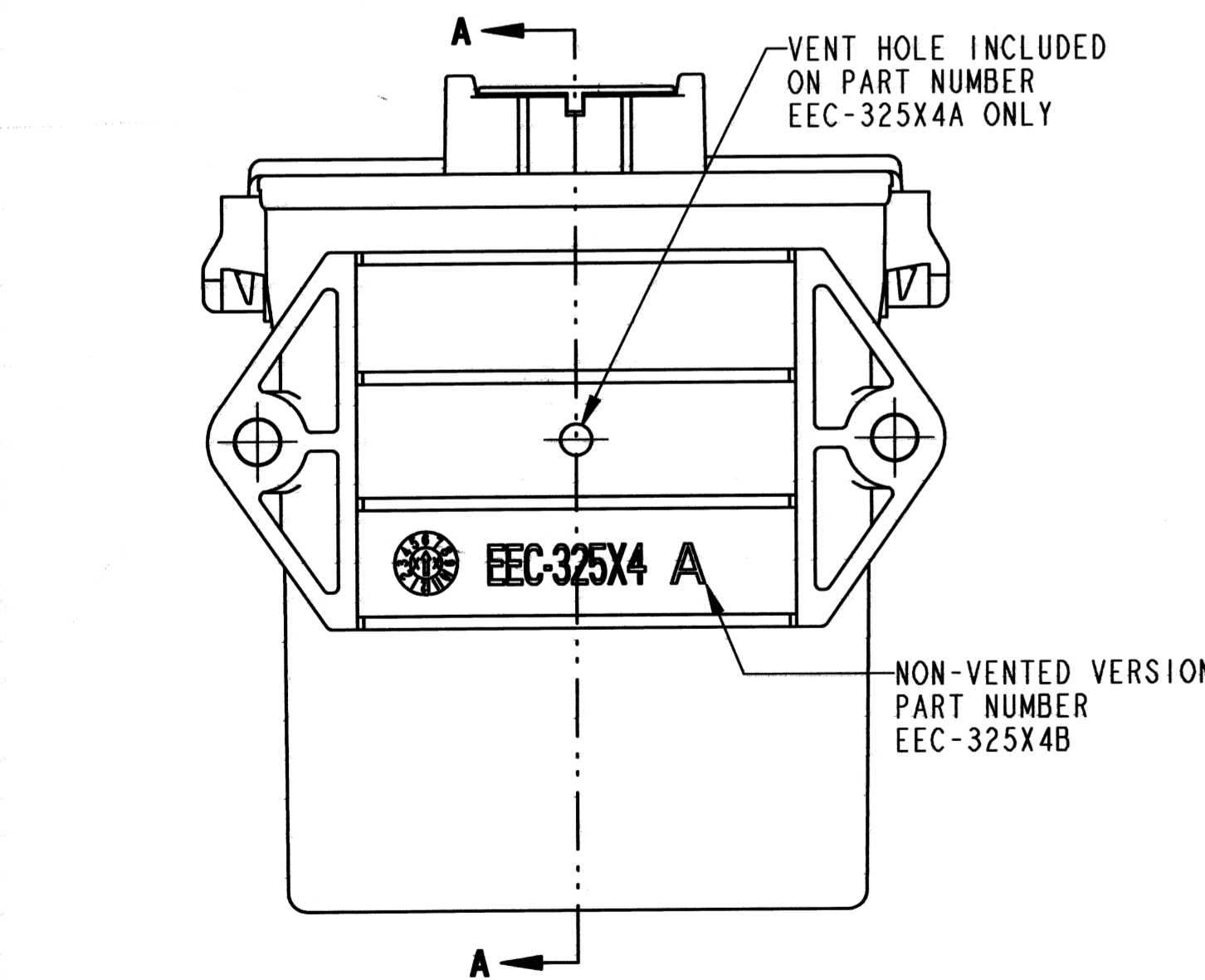
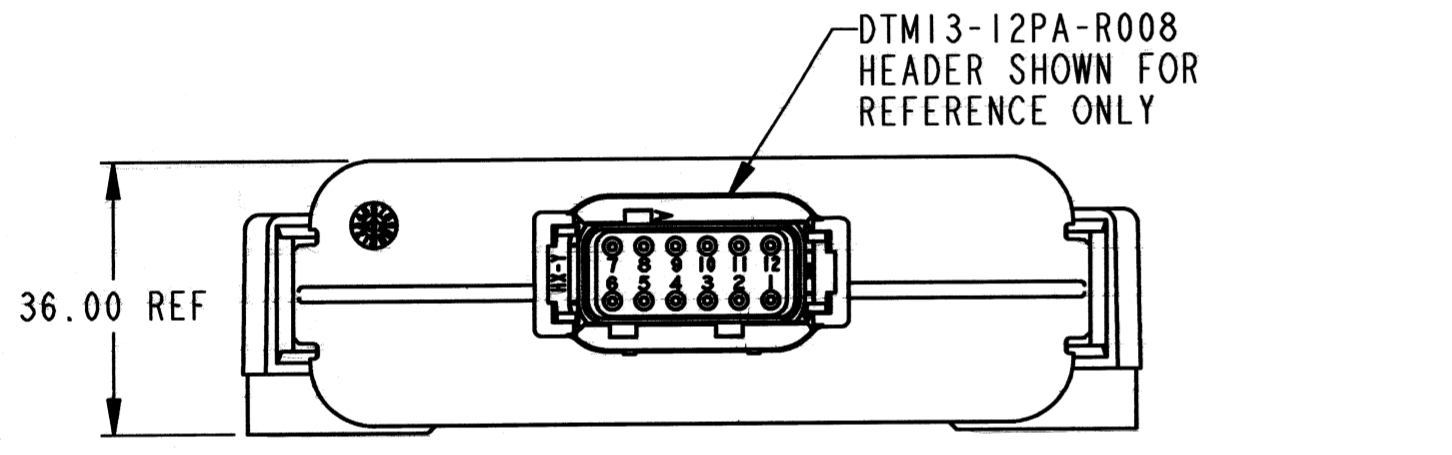
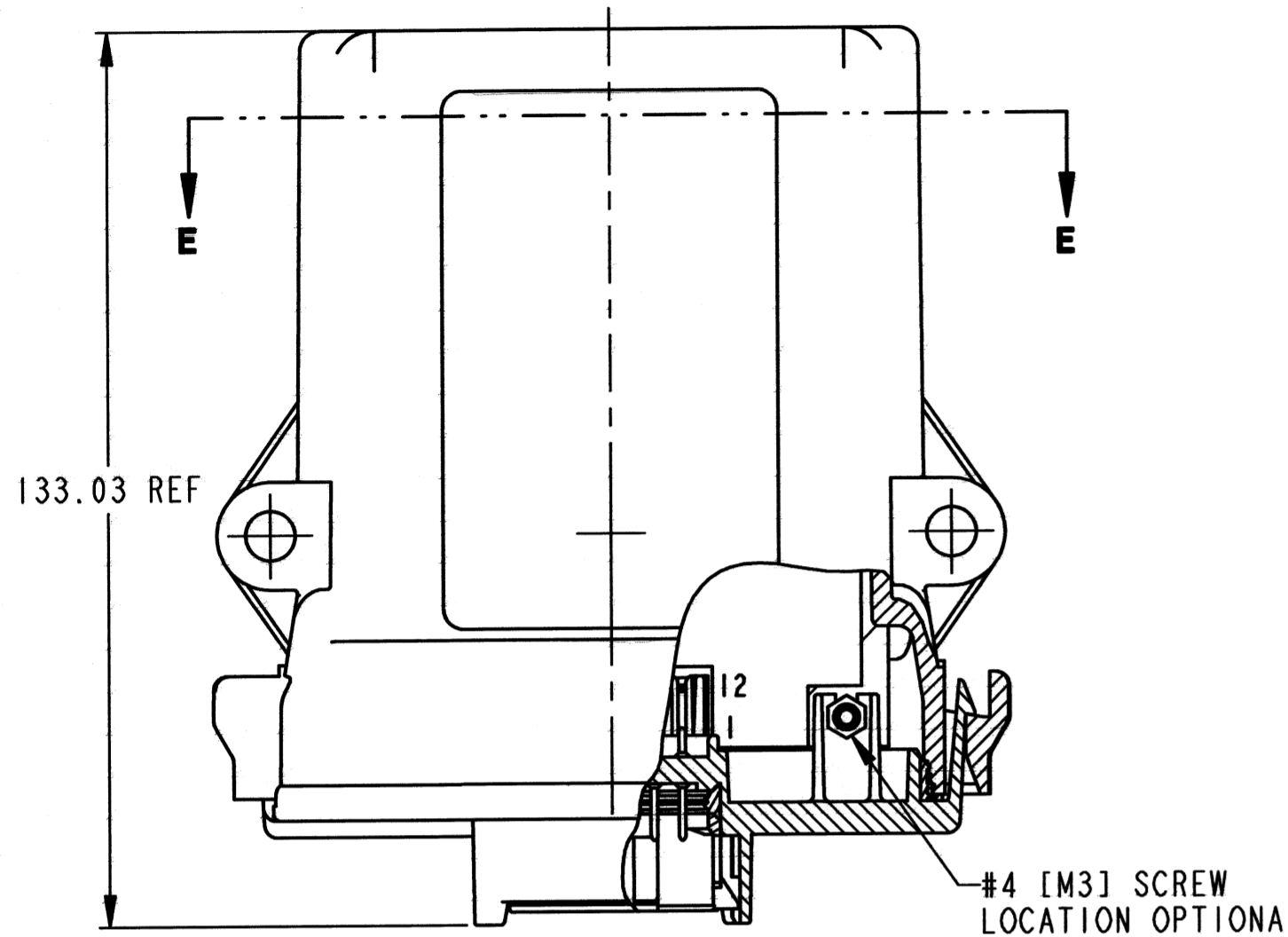
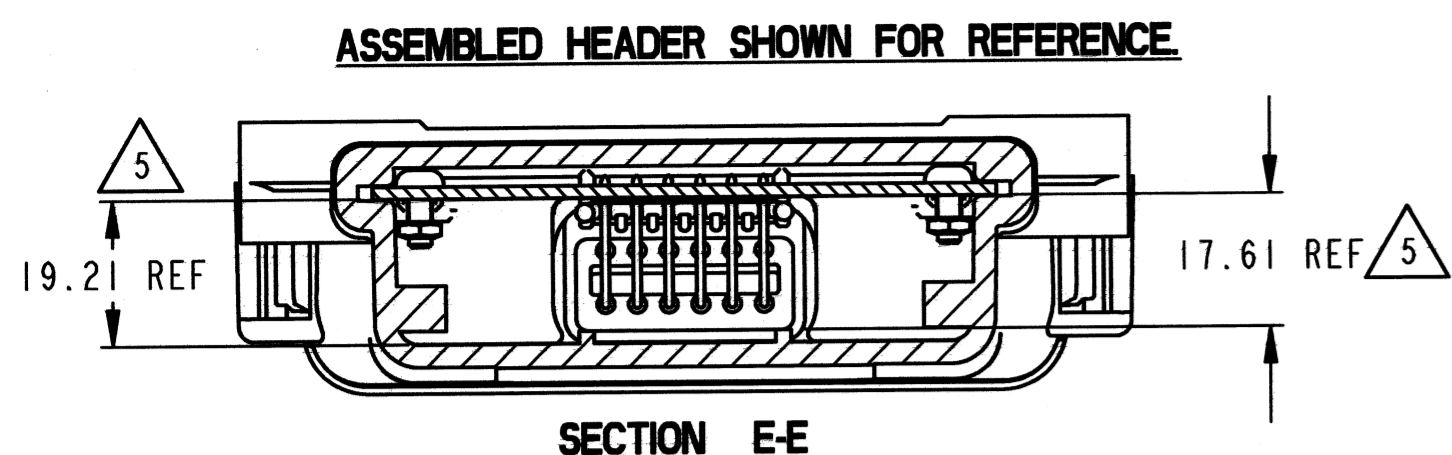
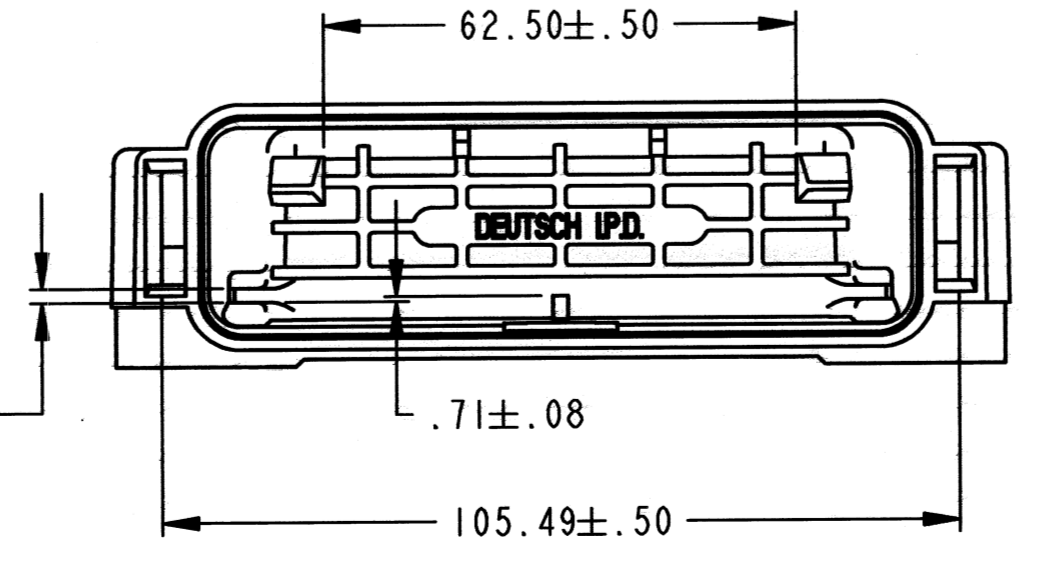
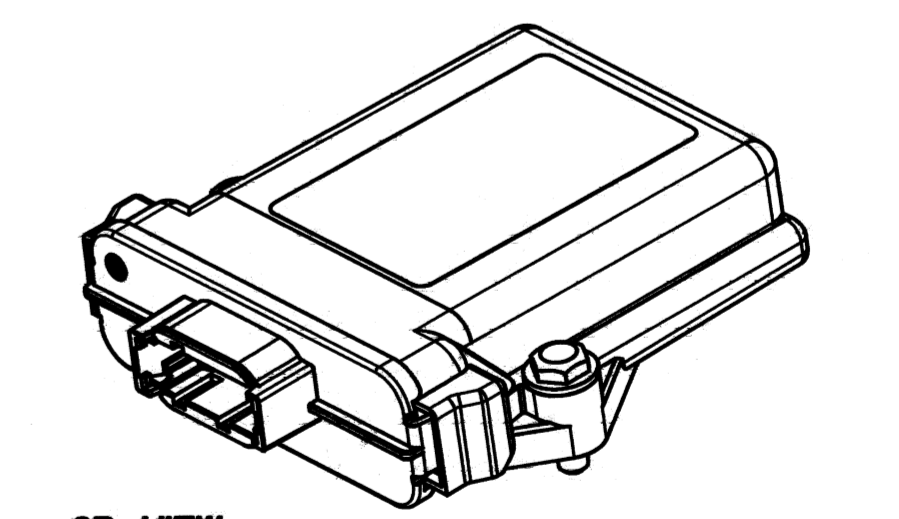
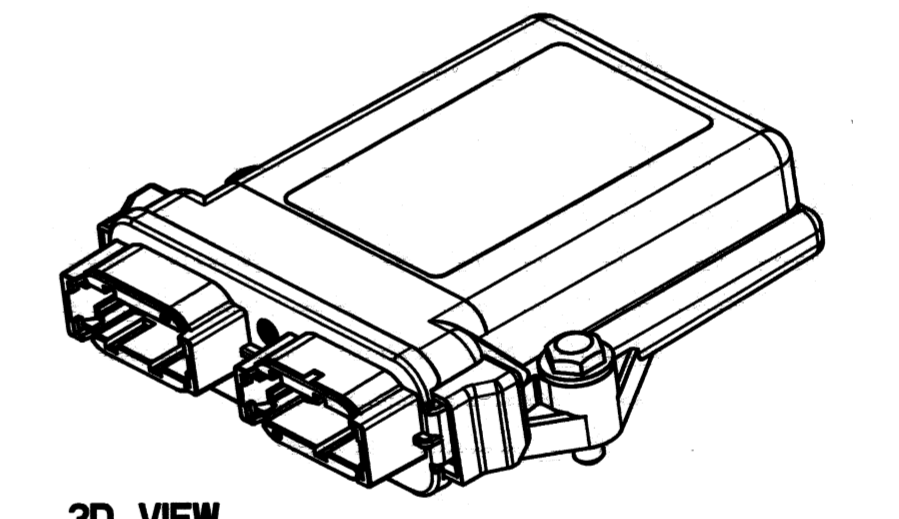
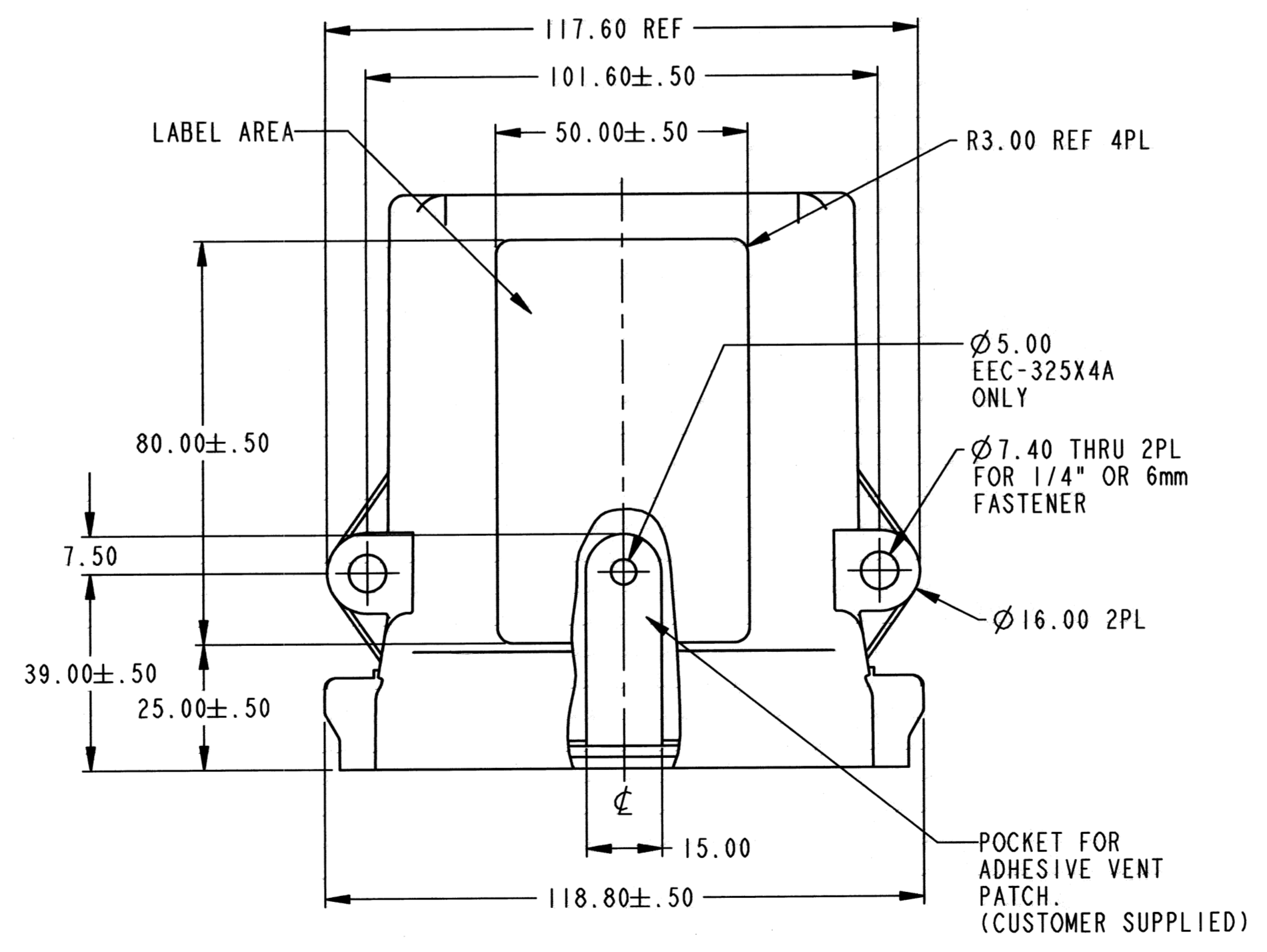
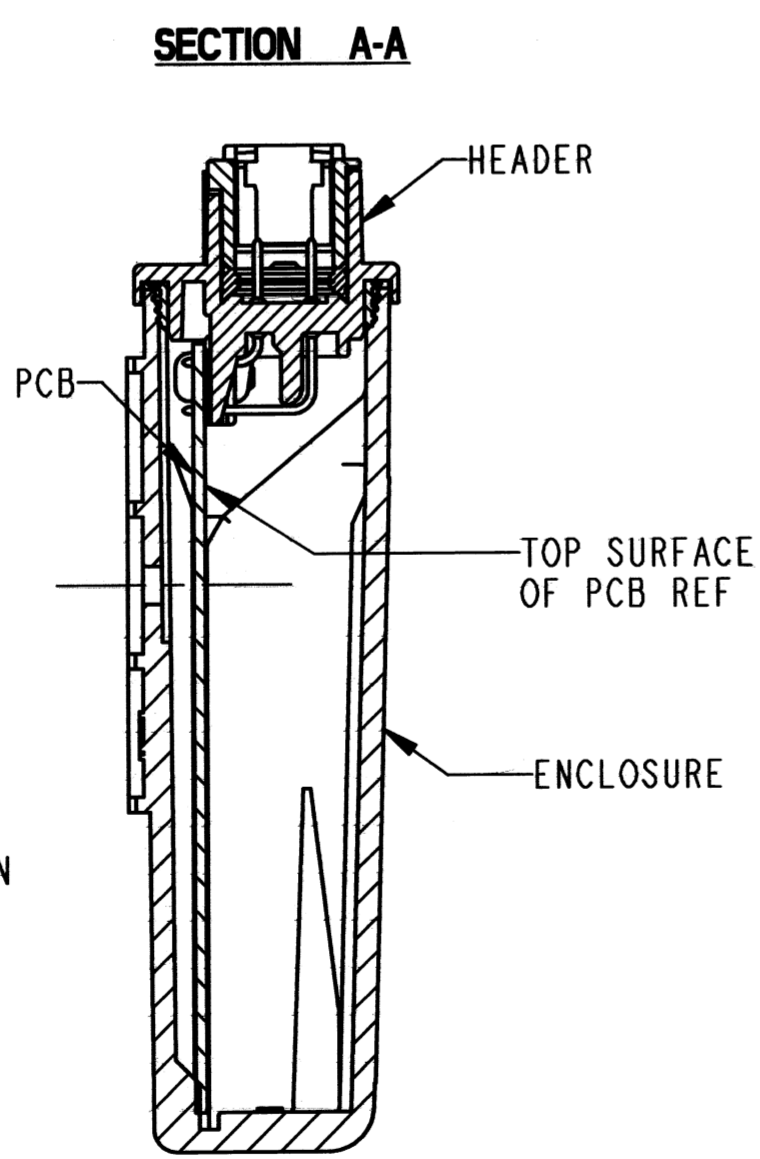


REV F EEC-325X4A EEC-325X4B

REVISIONS			
SYM	DESCRIPTION	DATE	APPROVED
C	RELEASED PER E.O. P17282	6-7-01	RDR
D	RELEASED PER E.O. P17357	7-13-01	RDR
E	RELEASED PER E.O. P18244	8-4-03	C.W.
F	REVISED PER E.O. P21370	5-29-12	RDR



**THREE DIMENSIONAL SPACE LIMIT**  
APPROXIMATE INTERNAL SPACE FOR COMPONENT SPACE LAYOUT  
MAX. COMPONENT HEIGHT UNDER BOARD 2.00 mm.



- NOTES:
- ALL DIMENSIONS ARE METRIC.
  - ALL DIMENSIONS ARE +/- .25 UNLESS OTHERWISE SPECIFIED.
  - ENCLOSURE MATERIAL: NYLON 6/6 BLACK.
  - THIS ENCLOSURE MATES WITH DTM13-12P\*-R008 (Ni PINS); DTM13-12P\*-GR01 (Au PINS); DTM13-12P\*-12P\*-R008 (Ni PINS); DTM13-12P\*-12P\*-GR01 (Au PINS) HEADERS. (\* = A,B,C,D KEYS).
- △ MAXIMUM COMPONENT HEIGHT DEPENDS ON LOCATION DUE TO PART DRAFT AND RIBS.

SIGNATURE & DATE	
DR	C. WOODRUFF 25APR00
CHK	5/29/012
PE	Phelan 5/17/12
APPD	S. B. [Signature]
SCALE	NONE WT

PCB ENCLOSURE SHOWN WITH 12 AND 24 PIN HEADER VENTED AND NON-VENTED DTM SERIES

ENVELOPE

EP053	MATL CODE
3850 INDUSTRIAL AVE. HEMET, CA 92545	
<b>DEUTSCH INDUSTRIAL</b>	
<b>EEC-325X4A</b>	
<b>EEC-325X4B</b>	
DWG SIZE	CODE
T1130	SHEET 1 OF 1

## X-ON Electronics

Largest Supplier of Electrical and Electronic Components

*Click to view similar products for [Automotive Connectors](#) category:*

*Click to view products by [TE Connectivity](#) manufacturer:*

Other Similar products are found below :

[003-018-000](#) [600858](#) [60403001](#) [60993906-B](#) [60993913-B](#) [629515004020001](#) [M902-2131](#) [M902-2161](#) [M902-2344](#) [72.330.1035.1](#)  
[73.353.4028.0](#) [F118010](#) [F119300-B](#) [F132210](#) [F132210-B](#) [F166900](#) [F180100](#) [F258300](#) [F258300-B](#) [F294300-B](#) [F339100](#) [F339700](#) [F358300-](#)  
[B](#) [F374110](#) [F407400](#) [F412210](#) [F427600](#) [F444110](#) [F487000](#) [F495100-B](#) [F500900-B](#) [F509500B-B](#) [770444-1](#) [776880-1](#) [827153-1](#) [881735-1](#)  
[8N1515-32-24P](#) [9-1326727-8](#) [9-1326729-8](#) [925467-1](#) [925474-1](#) [928905-1](#) [936398-2](#) [964562-1](#) [964562-4](#) [964731-2](#) [965051-1](#) [968782-1](#)  
[GT17SA-8DS-HU](#) [GT17VS-10DP-5.2CF](#)