

Enclosure material: Polycarbonate, ABS.

For technical data see pages 7.4 - 7.7.

Colour: Light grey, similar to RAL 7035.

Special colours on request for orders of 500+.

Scope of delivery: Upper and lower section; lid screws made of V2A; self-tapping screws for mounting bosses.

Ingress protection: IP65/DIN VDE 0470; increased protection on request.

Lid seal: Sponge cord (neoprene) in lid groove.
For technical data see pages 7.13.

Accessories (additional charge):

M: Mounting plate, laminated paper (Pertinax), Zinc-coated steel for model 260

RD: Set of knurled screws = 4 pcs

F: Set of rubber feet = 4 pcs

SIL: Lid with silicone seal

WL: Set of wall brackets = 4 pcs

TS 15: Top hat rail DIN EN 50045 – 15 x 5

TS 32: G-rail DIN EN 50035 – G 32

TS 35: Top hat rail DIN EN 50022 – 35 x 7.5

SchM: Hinge for M/T

Notes:

- We recommend fitting the mounting plate or the DIN-rails with the self-tapping screws (included with the enclosure)
- Threaded inserts are required for assembly with metric screws. See page 6.31
- Cable glands, see page 6.12 ff
- Terminal assignment, see page 5.47
- Material shrinkage may result in ABS enclosures being approx. 0.1 - 0.25% larger than the PC enclosures illustrated

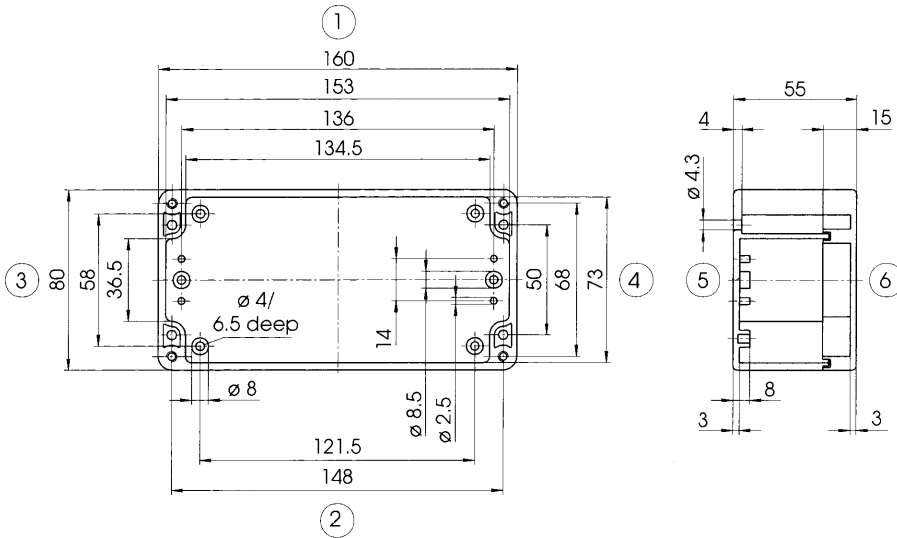
Polycarbonate enclosures				ABS enclosures				External dim.		
Model	Order no.	Model	Order no.	Model	Order no.	Model	Order no.	L	W	H
M 205	02205000	M 205 G	02205400	T 205	03205000	T 205 SV	03205400	52	50	35
M 206	02206000	M 206 G	02206200	T 206	03206000	T 206 SV	03206400	65	50	35
M 208	02208000			T 208	03208000	T 208 SV	03208400	98	64	36
M 210	02210000	M 210 G	02210100	T 210	03210000	T 210 SV	03210400	82	80	55
M 215	02215000	M 215 G	02215100	T 215	03215000	T 215 SV	03215400	120	80	55
M 216	02216000	M 216 G	02216100	T 216	03216000	T 216 SV	03216400	120	80	60
M 217	02217000	M 217 G	02217200	T 217	03217000	T 217 SV	03217400	122	120	55
M 219	02219000			T 219	03219000	T 219 SV	03219400	160	80	60
M 220	02220000	M 220 G	02220100	T 220	03220000	T 220 SV	03220400	160	80	55
M 221	02221000	M 221 G	02221100	T 221	03221000	T 221 SV	03221400	200	120	75
M 223	02223000	M 223 G	02223100	T 223	03223000	T 223 SV	03223400	200	150	75
M 225	02225000	M 225 G	02225100	T 225	03225000	T 225 SV	03225400	82	80	85
M 226	02226000	M 226 G	02226100	T 226	03226000	T 226 SV	03226400	120	80	85
M 227	02227000	M 227 G	02227100	T 227	03227000	T 227 SV	03227400	122	120	85
M 228	02228000	M 228 G	02228100	T 228	03228000			122	120	105
M 230	02230000			T 230	03230000	T 230 SV	03230400	120	80	90
M 231	02231000	M 231 G	02231100	T 231	03231000	T 231 SV	03231400	160	80	85
M 235	02235000			T 235	03235000	T 235 SV	03235400	160	80	90
M 237	02237000	M 237 G	02237100	T 237	03237000	T 237 SV	03237400	200	120	90
M 238	02238000	M 238 G	02238100	T 238	03238000	T 238 SV	03238400	160	120	90
M 240	02240000	M 240 G	02240100	T 240	03240000	T 240 SV	03240400	250	160	90
M 2401	02240200	M 2401 G	02240300	T 2401	03240200	T 2401 SV	03240240	240	160	90
M 241	02241000			T 241	03241000	T 241 SV	03241400	250	160	120
M 242	02242000	M 242 G	02242100	T 242	03242000	T 242 SV	03242400	240	120	100
M 243	02243000	M 243 G	02243100	T 243	03243000	T 243 SV	03243400	240	160	120
M 244	02244000	M 244 G	02244100	T 244	03244000			340	150	100
M 245	02245000			T 245	03245000			340	150	120
M 246	02246000	M 246 G	02246100	T 246	03246000			160	120	140
M 250	02250000			T 250	03250000			250	160	150
M 251	02251000			T 251	03251000	T 251 SV	03251400	360	160	100
M 252	02252000							300	230	65
M 253	02253000	M 253 G	02253100	T 253	03253000	T 253 SV	03253400	300	230	85
M 254	02254000	M 254 G	02254100	T 254	03254000	T 254 SV	03254400	300	230	110
M 255	02255000	M 255 G	02255100	T 255	03255000	T 255 SV	03255400	360	200	150
				T 260	03260000			400	360	150

G = clear lid

SV = quick-release fastening

Euromas Polycarbonate/ABS

M/T 220



Z-2501106

Order designation

Polycarbonate enclosures	Order no.
M 220	02220000
M 220 G	02220100

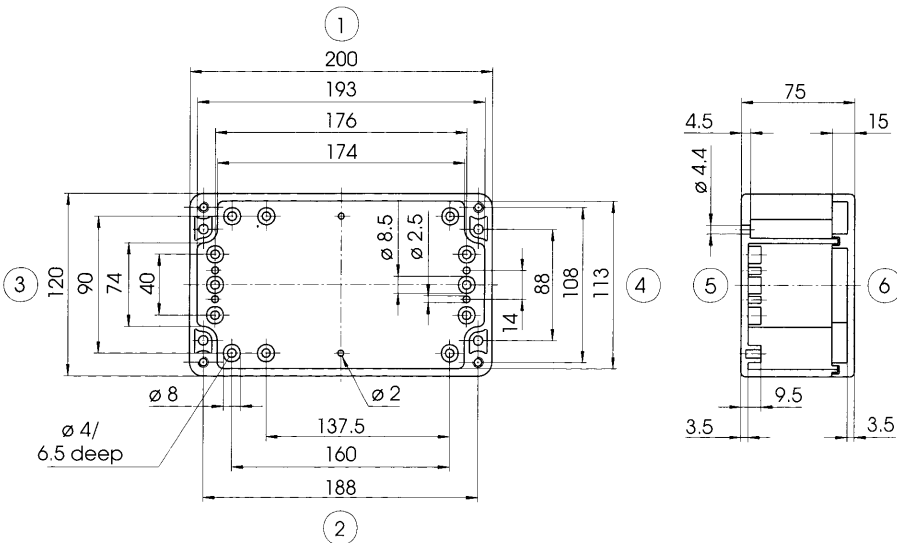
(G = with clear lid)

ABS enclosures	Order no.
T 220	03220000
T 220 SV	03220400

(SV = quick-release fastening)

Accessories (additional charge)	Order no.
M: Mounting plate, 1.5 mm	22000600
RD: Set of knurled screws = 4 pcs	22003100
F: Set of rubber feet = 4 pcs	22003300
SIL: Lid with silicone seal	22003800
WL: Set of wall brackets = 4 pcs	22004900
TS 15: Top hat rail DIN EN 50045	22002000
TS 32: G-rail DIN EN 50035	22002010
TS 35: Top hat rail DIN EN 50022	22002020

M/T 221



Z-2501107

Order designation

Polycarbonate enclosures	Order no.
M 221	02221000
M 221 G	02221100

(G = with clear lid)

ABS enclosures	Order no.
T 221	03221000
T 221 SV	03221400

(SV = quick-release fastening)

Accessories (additional charge)	Order no.
M: Mounting plate, 2.0 mm	22000700
RD: Set of knurled screws = 4 pcs	22003100
F: Set of rubber feet = 4 pcs	22003300
SIL: Lid with silicone seal	22003900
WL: Set of wall brackets = 4 pcs	22004900
TS 15: Top hat rail DIN EN 50045	22002100
TS 32: G-rail DIN EN 50035	22002110
TS 35: Top hat rail DIN EN 50022	22002120

**Maximum assignment
with terminal blocks**

	Phoenix						Weidmüller				
	MBK 2,5	MBK 3	MBK 5	UK 3 N	UK 5 N	UK 10 N	AKZ 1.5	AKZ 2.5	AKZ 4	SAK 2.5	SAK 4
DIN-rail TS 15	X	X	X				X	X	X		
DIN-rail TS 32				X	X	X				X	X
DIN-rail TS 35				X	X	X					
Bridgeable		X	X	X	X	X	X	X	X	X	X
End angle-piece	2	2	2	2	2	2	2	2	2	2	2
Closing plate	-	-	-	1	1	1	1	1	1	1	1
Connection cross-section (mm ²) fine-strand	1.5	2.5	4	2.5	4	10	1.5	2.5	4	2.5	4
Connection cross-section (mm ²) single wire	2.5	4	4	4	6	16	2.5	4	6	4	10
Nominal voltage (V)	500	500	500	750	750	800	400	250	500	800	800
Rating (A)	26	32	34	34	34	76	17.5	24	32	24	32
Terminal width (mm)	5.2	5.2	6.2	5.2	6.2	10.2	5	5	6	6	6.5

Model	Number per DIN-rail						Number per DIN-rail				
	Phoenix						Weidmüller				
M/T 205	1 x KL16/4 PA-DS terminal block						1 x KL16/4 PA-DS terminal block				
M/T 206	1 x KL16/8 PA-DS terminal block						1 x KL16/8 PA-DS terminal block				
M/T 208	7						7	7			
M/T 210	7	7	5				7	7	6		
M/T 215	14	14	11				14	14	12		
M/T 216	14	14	11				14	14	12		
M/T 217	15	15	12				14	14	12		
M/T 219	22	22	18	22	18	11	22	22	18		
M/T 220	22	22	18				30	22	18		
M/T 221	30	30	24	29	23	15	30	30	25	25	23
M/T 223	30	30	24	29	23	15	7	30	25	25	23
M/T 225	7	7	5	6	5	3	14	7	6	6	5
M/T 226	14	14	11	13	11	7	14	14	12	12	9
M/T 227	15	15	12	14	11	7	14	14	12	12	11
M/T 228	15	15	12	14	11	7	14	14	12	12	11
M/T 230	14	14	11	13	11	7	14	14	12	12	11
M/T 231	22	22	18	21	18	11	21	21	17	17	16
M/T 235	22	22	18	21	18	11	21	21	17	17	16
M/T 237	30	30	24	29	23	15	30	30	25	25	23
M/T 238	22	22	18	21	18	11	21	21	17	17	16
M/T 240	38	38	30	36	30	20	40	40	33	33	30
M/T 2401	38	38	30	36	30	20	40	40	33	33	30
M/T 241	38	38	30	36	30	20	40	40	33	33	30
M/T 242	38	38	30	36	30	20	40	40	33	33	30
M/T 243	38	38	30	36	30	20	40	40	33	33	30
M/T 244	52	52	47	50	45	28	54	54	49	49	43
M/T 245	52	52	47	50	45	28	54	54	49	49	43
M/T 246	22	22	18	21	18	11	21	21	17	17	16
M/T 250	38	38	30	36	32	20	40	40	33	33	30
M/T 251	60	60	50	58	48	30	62	62	52	52	46
M 252	48	48	40	46	40	24	48	48	42		
M/T 253	48	48	40	46	40	24	48	48	42	42	38
M/T 254	48	48	40	46	40	24	48	48	42	42	38
M/T 255	60	60	50	58	48	30	60	60	50	50	45
T 260	60	60	50	58	48	30	60	60	50	50	45

**Maximum assignment
with terminal blocks**

	Phoenix						Weidmüller				
	MBK 2,5	MBK 3	MBK 5	UK 3 N	UK 5 N	UK 10 N	AKZ 1.5	AKZ 2.5	AKZ 4	SAK 2.5	SAK 4
DIN-rail TS 15	X	X	X				X	X	X		
DIN-rail TS 32				X	X	X				X	X
DIN-rail TS 35				X	X	X					
Bridgeable		X	X	X	X	X	X	X	X	X	X
End angle-piece	2	2	2	2	2	2	2	2	2	2	2
Closing plate	-	-	-	1	1	1	1	1	1	1	1
Connection cross-section (mm ²) fine-strand	1.5	2.5	4	2.5	4	10	1.5	2.5	4	2.5	4
Connection cross-section (mm ²) single wire	2.5	4	4	4	6	16	2.5	4	6	4	10
Nominal voltage (V)	500	500	500	750	750	800	400	250	500	800	800
Rating (A)	26	32	34	34	34	76	17.5	24	32	24	32
Terminal width (mm)	5.2	5.2	6.2	5.2	6.2	10.2	5	5	6	6	6.5

Model	Number per DIN-rail						Number per DIN-rail				
M/T 205	1 x KL16/4 PA-DS terminal block						1 x KL16/4 PA-DS terminal block				
M/T 206	1 x KL16/8 PA-DS terminal block						1 x KL16/8 PA-DS terminal block				
M/T 208	7						7	7			
M/T 210	7	7	5				7	7	6		
M/T 215	14	14	11				14	14	12		
M/T 216	14	14	11				14	14	12		
M/T 217	15	15	12				14	14	12		
M/T 219	22	22	18	22	18	11	22	22	18		
M/T 220	22	22	18				30	22	18		
M/T 221	30	30	24	29	23	15	30	30	25	25	23
M/T 223	30	30	24	29	23	15	7	30	25	25	23
M/T 225	7	7	5	6	5	3	14	7	6	6	5
M/T 226	14	14	11	13	11	7	14	14	12	12	9
M/T 227	15	15	12	14	11	7	14	14	12	12	11
M/T 228	15	15	12	14	11	7	14	14	12	12	11
M/T 230	14	14	11	13	11	7	14	14	12	12	11
M/T 231	22	22	18	21	18	11	21	21	17	17	16
M/T 235	22	22	18	21	18	11	21	21	17	17	16
M/T 237	30	30	24	29	23	15	30	30	25	25	23
M/T 238	22	22	18	21	18	11	21	21	17	17	16
M/T 240	38	38	30	36	30	20	40	40	33	33	30
M/T 2401	38	38	30	36	30	20	40	40	33	33	30
M/T 241	38	38	30	36	30	20	40	40	33	33	30
M/T 242	38	38	30	36	30	20	40	40	33	33	30
M/T 243	38	38	30	36	30	20	40	40	33	33	30
M/T 244	52	52	47	50	45	28	54	54	49	49	43
M/T 245	52	52	47	50	45	28	54	54	49	49	43
M/T 246	22	22	18	21	18	11	21	21	17	17	16
M/T 250	38	38	30	36	32	20	40	40	33	33	30
M/T 251	60	60	50	58	48	30	62	62	52	52	46
M 252	48	48	40	46	40	24	48	48	42		
M/T 253	48	48	40	46	40	24	48	48	42	42	38
M/T 254	48	48	40	46	40	24	48	48	42	42	38
M/T 255	60	60	50	58	48	30	60	60	50	50	45
T 260	60	60	50	58	48	30	60	60	50	50	45

X-ON Electronics

Largest Supplier of Electrical and Electronic Components

Click to view similar products for [Enclosures, Boxes, & Cases](#) category:

Click to view products by [Bopla](#) manufacturer:

Other Similar products are found below :

[CR-425 PAINTED](#) [585-R-WH-PK](#) [M-10-PLATED](#) [60221-01](#) [60566-01-000](#) [HPL-9VB BATT DOOR](#) [M-16-LID-PLATED](#) [M18-PLTD](#) [M-21-LID-PLATED](#) [M-21-PLATED](#) [M-23-PLATED](#) [CU-281-MB](#) [6711GSKT](#) [71884-29-028](#) [LH45-100 Black](#) [7200B](#) [72868-510-000](#) [CNS-0000 Black](#) [72883-510-000](#) [CNS-0101 Black](#) [72906-510-000](#) [CNS-0407 Black](#) [73091-510-000](#) [CNM-0000-BLACK Kit](#) [73092-510-000](#) [CNM-0101 Black](#) [73108-510-000](#) [CNL-0303 Black](#) [73395-510-039](#) [CNS-0006 Bone](#) [74257-510-000](#) [CNL-0004](#) [MDC-1183-PLAIN-ALUM](#) [MDC-1183-PTD](#) [MDC-13104-PLAIN-ALUM](#) [MDC-211 - PAINTED IVORY/BEIGE](#) [MDC-321-PTD](#) [MDC-432-PLAIN-ALUM](#) [MDC-973-PTD](#) [76](#) [77153-01-028](#) [FLX6030](#) [83535-01-508](#) [PS-11296-G](#) [PS-11298-B](#) [116-508](#) [120-407](#) [120-412](#) [120-909](#) [120-455](#) [R272-100-000](#) [120-910](#) [R501-001-010](#) [R508-080-000](#) [R508-160-000](#) [R530-120-000](#) [R530-122-000](#) [R530-200-000](#) [R531-160-000](#) [R531-200-000](#) [R582-080-100](#)