



HC-F24V-6L-36LED Specification

I. Product Description

● Features

- Please note that these require a smart pixel controller - these will not work with dumb controllers!
- Smart / Pixel Strip
- Pixel protocol WS2821 (supported by DMX protocol directly, every major pixel controller)
- Viewing angle of 120 degrees
- Includes 4" leader/pig tail wires
- Available with either black or white PCB circuit board background

● Lights

- Total LEDs per Strip: 180 of 5mm x 5mm (5050) RGB LED Lights
- Total Individually Controllable Sections per Strip: 30 Sections/Pixels - each~6.7" in length, each contain 6 RGB LED lights per section
- Total DMX channels required: 30 DMX Channels (30 sections, each with three channels - Red, Green, Blue)

● Wiring colors

- See strip markings for wire color
- 24V = Positive 24v Power
- G=GND = Negative 24v Power
- DI = Data In
- ADI=Address In
- ~4" Lead In and Lead Out wires (three). Both lead in and out have plugs.
- Includes 4" leader that plugs into input side of strip

● Power

- 24v DC Input
- White (all three colors) Entire Roll: 1.8 amps / ~43.2 Watts
Per meter: 0.36 amps / 8.64 Watts

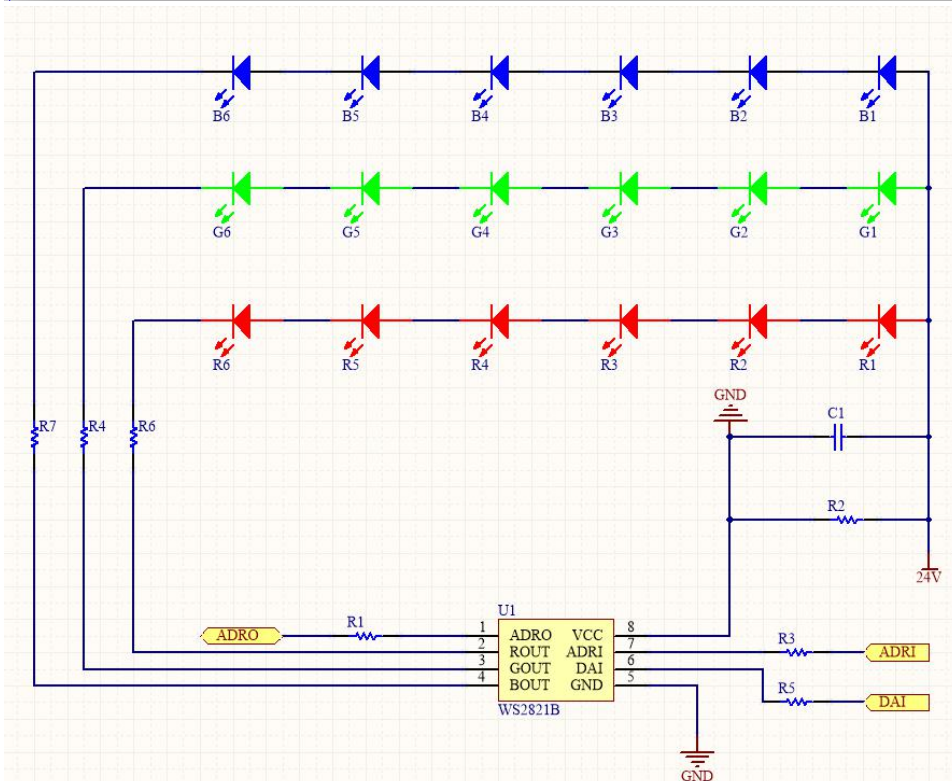
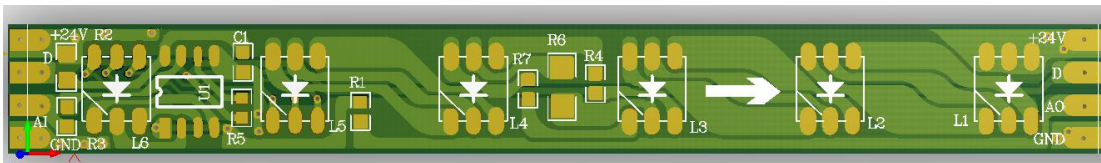
● Packaging

- Each strip ships on a plastic reel, packed in a plastic, anti-static envelope.
- Wiring instructions are provided on the outside of the envelope.

II. Glowing Effect



III. PCBA outlook & Typical application diagram



X-ON Electronics

Largest Supplier of Electrical and Electronic Components

Click to view similar products for [LED Lighting Bars and Strips](#) category:

Click to view products by [Worldsemi](#) manufacturer:

Other Similar products are found below :

[ZLF0310W62524](#) [LF1D-F2F-2W-300](#) [HH-SWW320F210W24-COB IP65](#) [HH-SNW320F210W12-COB IP65](#) [HH-SNW320F010W12-COB IP20](#) [HH-SNW320F210W24-COB IP65](#) [HH-SNW320F010W24-COB IP20](#) [HH-SNW528F210W12-COB IP65](#) [HH-SNW528F010W12-COB IP20](#) [HH-SNW528F010W24-COB IP20](#) [HH-SCW320F210W12-COB IP65](#) [HH-SCW320F010W12-COB IP20](#) [HH-SCW528F210W12-COB IP65](#) [HH-SCW528F010W12-COB IP20](#) [HH-SR528F010W12-COB IP20](#) [HH-SR528F010W24-COB IP20](#) [LF2D-EN2F-2W-A](#) [PUUA-100LLL-NK2P](#) [HC-F12V-3535 PCBA](#) [HC-F12V-WS2811-3535](#) [HC-F24V-6L-36LED-W-WS2821/IP20](#) [HC-F5V-144L-144LED-B-WS2813 IP20](#) [HC-F5V-144L-144LED-B-WS2813 IP65](#) [HC-F5V-144L-144LED-W/IP65](#) [HC-F5V-144L-144LED-W-WS2813 IP20](#) [HC-F5V-30L-30LED-B-WS2813 IP20](#) [HC-F5V-60L-60LED-B-WS2813 IP20](#) [HC-F5V-60L-60LED-W-WS2813 IP65](#) [HC-T12V-10L-30LED-W/IP20](#) [HC-T12V-16L-48LED-W/IP20](#) [HC-T12V-16L-48LED-W/IP65](#) [HC-T12V-20L-60LED-W/IP65](#) [LFBHL-SW860-24V-12D83-20](#) [LFBLL-SW860-24V-5S200-20-IC](#) [LFBML-MW827860-24V-12D83-20](#) [LFBML-SW827-24V-6S167-20](#) [LM-SAG1-W2](#) [LMV-MINI-W2](#) [LS-2835W120RN](#) [LS-2835W120RN1](#) [LS-2835W60RN2](#) [LS-2835WW120R-1](#) [LS-2835WW60RN](#) [LS-3014WW60RN](#) [LS-3014WW60RN3](#) [LS-3528W60RN-1](#) [LS-3528W60RN-2](#) [LS-5050F60R-2](#) [LS-5050F60RN-3](#) [LS-5050W30RN](#)