

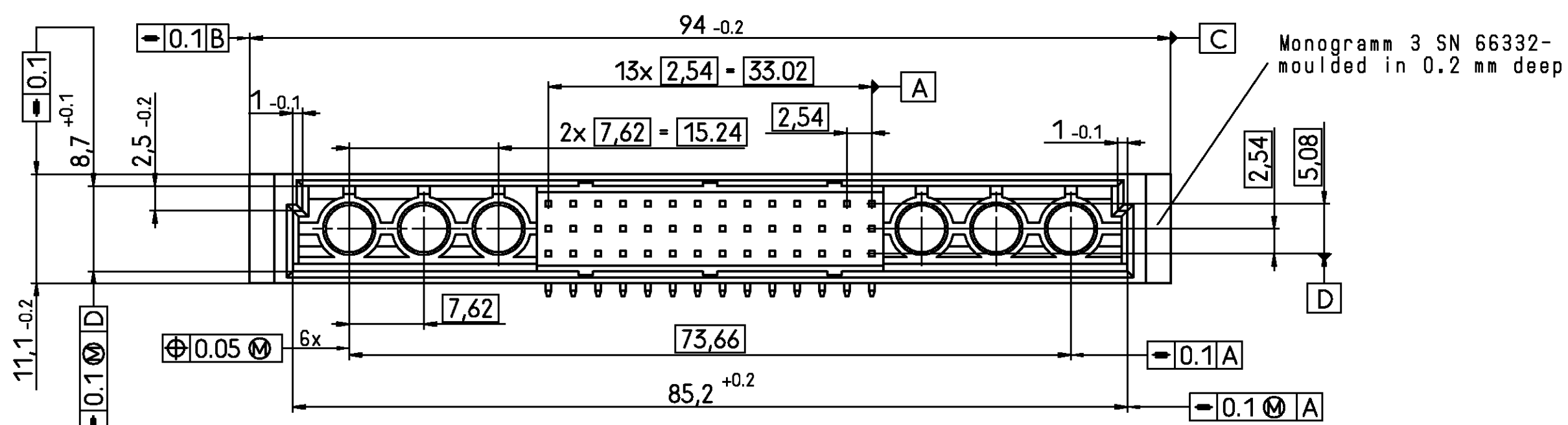
old P/N (without V42254-) Manufacturing date consisting of: 2 digits for the year (YY), 2 digits for the week (WW) and 1 digit for the day (D)

TYCO
X-XXXXXX-X

YYWVD
+XXXX-XXX

Style M4**

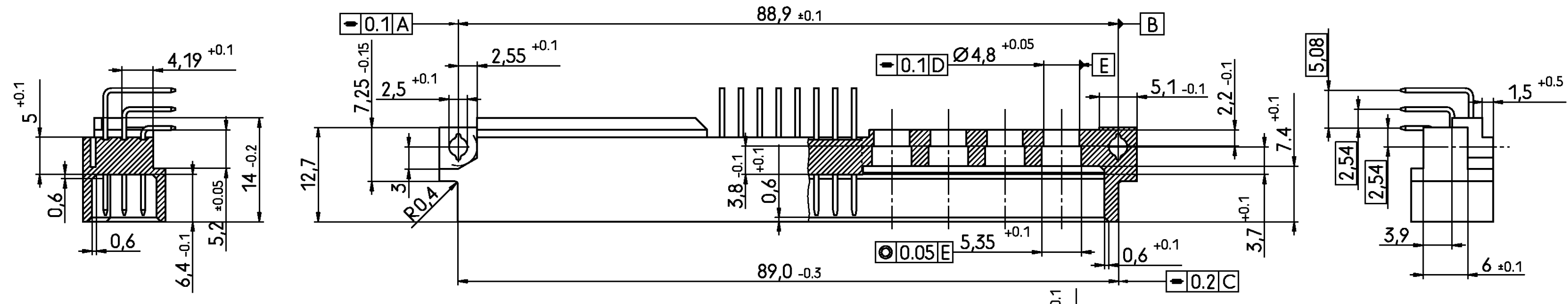
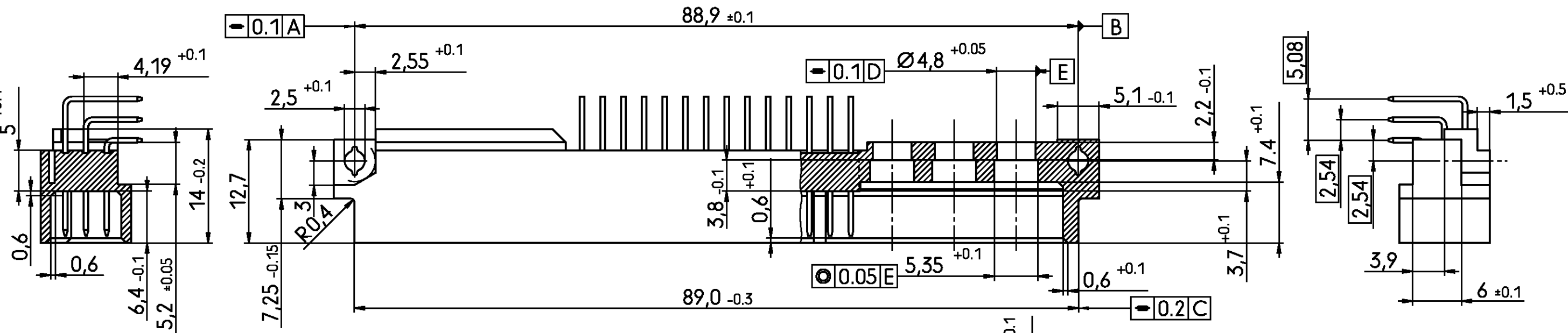
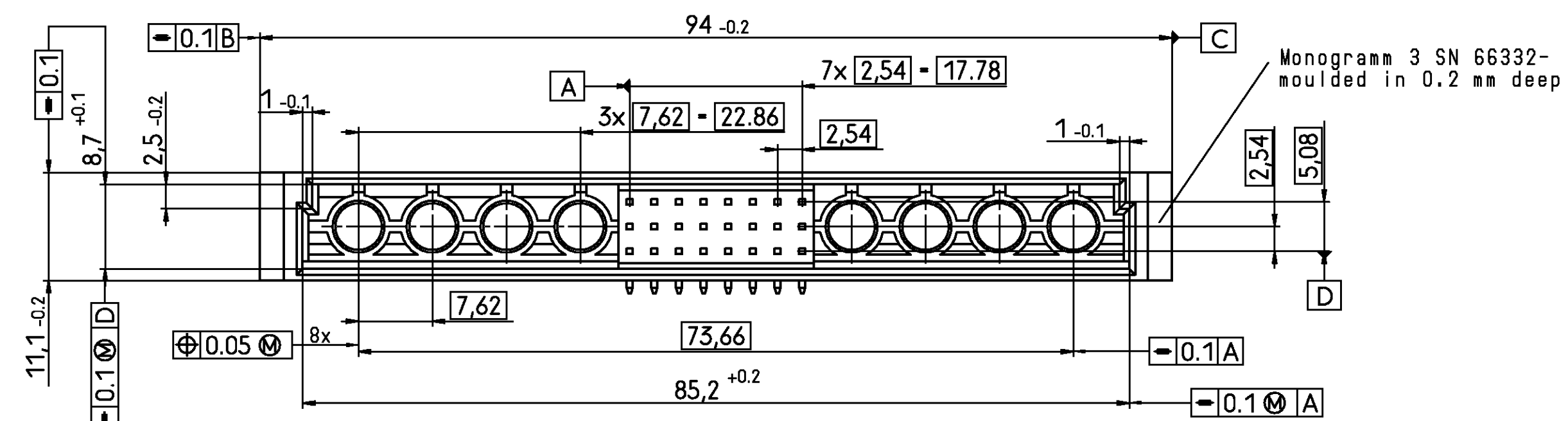
Tyco P/N



TYCO
X-XXXXXX-X

YYWVD
+XXXX-XXX

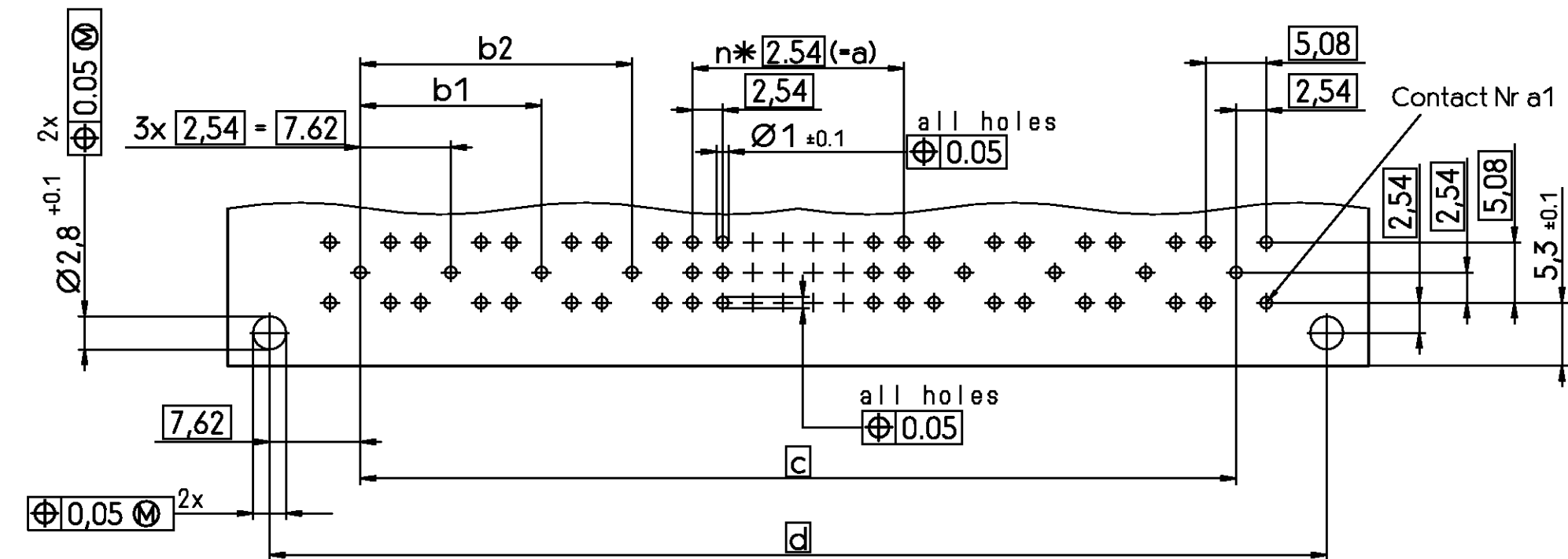
Style M2**



Inscription E 1.25-5 DIN 30640 moulded in 0.2 mm deep
Housing material: PBTP 30% glassfilled (UL94V-0)
Pebble grey (similar RAL 7032)

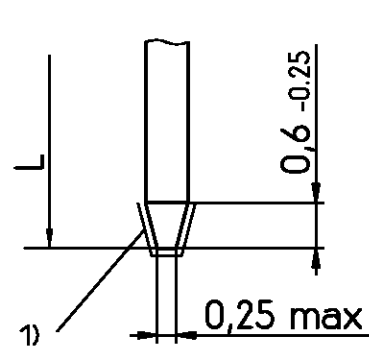
Inscription E 1.25-5 DIN 30640 moulded in 0.2 mm deep
Housing material: PBTP 30% glassfilled (UL94V-0)
Pebble grey (similar RAL 7032)

Mounting holes in PCB



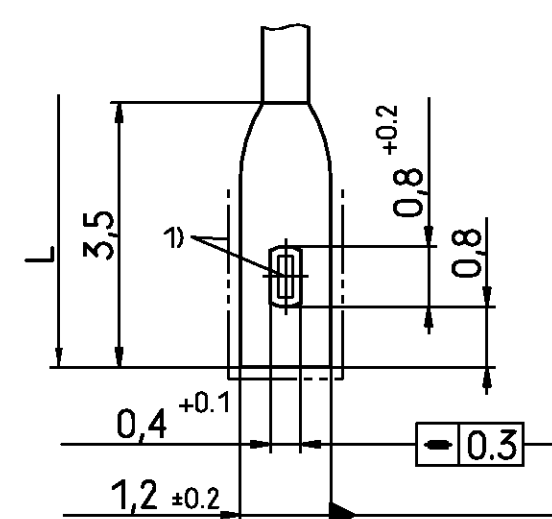
Termination Style

Soldering/Wire-Wrap pins



1) Cutting edges not plated
Terminations Sn plated

Soldering lug

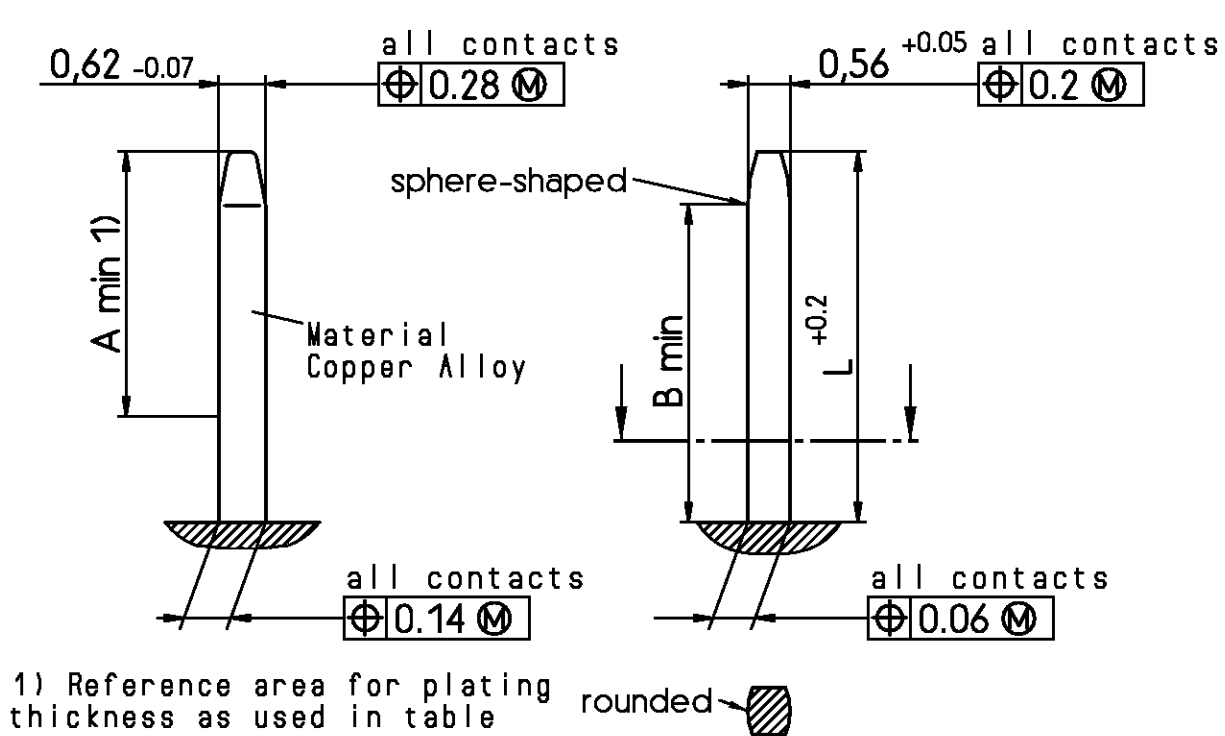


L Code

3	-0.4	00
2.9 ± 0.3		01
4.5 ± 0.3		02
13 ± 0.5		40
11 ± 0.5		41
17 ± 0.5		42
5.5 ± 0.3		35
10	-0.5	

V42254-B1***-M***

Contact: Dimensions, plating, material, pre-mating



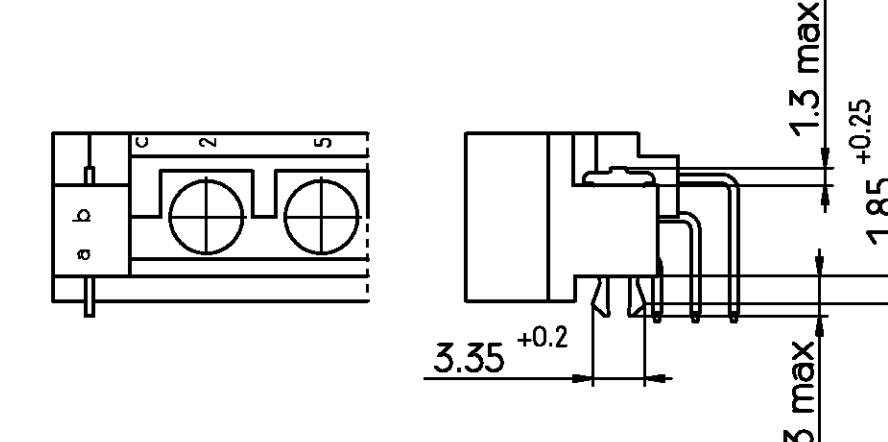
	L	A	B
normal contacts	4,8	3,5	4,2
pre-mating contacts	5,8	4,5	5,2

V42254-B1***-M***

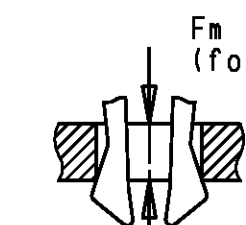
Performance level	Noble metals	Code
Class I	Pd + Au or Au	1
	Au	4
Class II	Pd + Au or Au	2
	Au	5
Class III	Pd + Au or Au	3

Nickel underlayer
Protection film: HF-grease

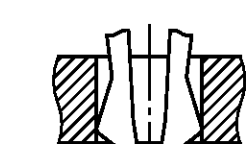
Male connector with board locks



Mounted in PC-boards of 1.5 to 1.8 mm
Fm < 60 N
Fr > 20 N
Fr > 200 N, wenn soldered-in



Mounted in PC-boards over 1.8 mm
Fm < 60 N
Fr > 16 N



V 4 2 2 5 4 - B 1 * * * - M * * *
Code for performance level
Code for termination style
Style, nr of contacts and contact assignment: see page 2

THIS INFORMATION IS CONFIDENTIAL AND PROPRIETARY TO TYCO ELECTRONICS CORPORATION AND ITS WORLDWIDE WORLDWIDE SUBSIDIARIES AND AFFILIATES. IT MAY NOT BE DISCLOSED TO ANYONE, OTHER THAN TYCO ELECTRONICS CORPORATION, WITHOUT WRITTEN AUTHORIZATION FROM TYCO ELECTRONICS CORPORATION, HARRISBURG, PENNSYLVANIA USA.

tyco Electronics		TYCO ELECTRONICS CORPORATION COSTKAMP - BELGIUM	SCALE DIMENSIONS IN MM	MATERIAL	WEIGHT
C	EH10-0177-05	09FEB05	U.O	NAME: Verboesen	PART NAME
B2	SR10-0177-03	05 AUG 03	KV	DEP: PD.COM	Pin Assembly Eurocard, Type M
B1	SR10-0413-02	16 Sep 02	BC		With 6 and 8 Special Contacts
B	SR10-0150-01	10.04.01	BC	TOLERANCE UNLESS SPECIFIED OTHERWISE	PART NO.
A	WCO 007072	20.07.00	IVS		V42254-B1***-M4***-7626
O5	WCO 91223	09.04.91	CUV		
REV	CHANGE ORDER	DATE	APP	Customer Drawing Nr. C 2-1393644-4	Sht. 1+ OF 2

WITHOUT WRITTEN AUTHORIZATION FROM TYCO ELECTRONICS CORPORATION, HARRISBURG, PENNSYLVANIA, USA.
 SUBSIDIARIES AND AFFILIATES. IT MAY NOT BE REPRODUCED TO ANYONE OTHER THAN TYCO ELECTRONICS PERSONNEL.

Product description code	Tyco Part Number	Style & Number of Positions	Termination Posts	Loaded Rows	Standard Pre-Mating 7mm J)	Performance Level	Board Locks
V42254-B1100-M240	2-1393644-4	M24+8	right-angle solder leads	every row, every pitch	No	1	No
V42254-B1100-M420	2-1393644-6	M42+6	right-angle solder leads	every row, every pitch	No	1	No
V42254-B1135-M420	4-1393644-2	M42+6	solder lugs	every row, every pitch	No	1	No
V42254-B1200-M240	0-1393645-3	M24+8	right-angle solder leads	every row, every pitch	No	2	No
V42254-B1200-M420	0-1393645-7	M42+6	right-angle solder leads	every row, every pitch	No	2	No
V42254-B1200-M420B	0-1393645-8	M42+6	right-angle solder leads	every row, every pitch	No	2	No
V42254-B1200-M423	0-1393645-9	M42+6	right-angle solder leads	row a+c, every pitch	No	2	No
V42254-B1299-M28B	3-1393646-9	M24+8	NONE	NONE	NO	N/A	NO

3) HOUSING ONLY - NO TERMINATION POSTS FITTED
 2) According to BT 236 level 2.
 1) First and last contact of each loaded row is a pre-mating (make first / break last) contact.

Active part numbers.
 Contact Tyco Electronics for other configuration availability

tyco TYCO ELECTRONICS CORPORATION		SCALE		WEIGHT	
OOSTKAMP - BELGIUM		DIMENSIONS IN MM		MATERIAL	
DATE: 21.04.89		PART NAME		SHT. 2-	
NAME: Verboeslant		PART NO.		V42254-B1***-M4***-7626	
DEP.: PD.CCM		TOLERANCE UNLESS SPECIFIED OTHERWISE		OF 2	
C: SEE SHEET 1		Customer Drawing Nr. C 2-1393644-4			
B2: SEE SHEET 1					
REV. CHANGE ORDER		DATE		APP.	

PROFRIETARIETÀ

X-ON Electronics

Largest Supplier of Electrical and Electronic Components

Click to view similar products for [FFC & FPC Connectors](#) category:

Click to view products by [TE Connectivity](#) manufacturer:

Other Similar products are found below :

[HFW11R-1STE1H1LF](#) [FH29B-100S-0.2SHW\(99\)](#) [FA5S008HP1](#) [FH29B-120S-0.2SHW\(99\)](#) [FH29B-80S-0.2SHW\(99\)](#) [FHS-16](#) [FPH-2022G](#)
[52610-1075](#) [52610-1275](#) [52610-1934](#) [XF3M\(1\)-1415-1B-R100](#) [501864-3091-TR225](#) [0525594033](#) [086210010340800](#) [086222026001800](#)
[52271-2869-CUT-TAPE](#) [62674-201121DLF](#) [62684-36210E9ALF](#) [52610-1675](#) [52746-1671-TR250](#) [10051922-2810EHLF](#) [6-520415-9](#)
[BD021-09A-A1-0350-0200-0550-LD](#) [SFV6R-1STE9HLF](#) [XF3M-2915-1B-R100](#) [1658549-1](#) [62674-221121ALF](#) [46214008010800](#)
[046298003000883](#) [151660622](#) [842-816-2630-035](#) [AYF530665TA](#) [AYF351525](#) [046296011930846+](#) [AYF352325A](#) [046254020000800+](#)
[FH19C-13S-0.5SH\(99\)](#) [FH39J-51S-0.3SHW\(99\)](#) [AYF355125A](#) [AYF530365TA](#) [FH29B-44S-0.2SHW\(99\)](#) [SFW5R-2STAE9LF](#) [AYF351125A](#)
[AYF350725A](#) [62684-502100AHLF](#) [FH39-61S-0.3SHW\(99\)](#) [AYF414035A](#) [10064555-172520HLF](#) [AYF212335A](#) [504754-2500](#)