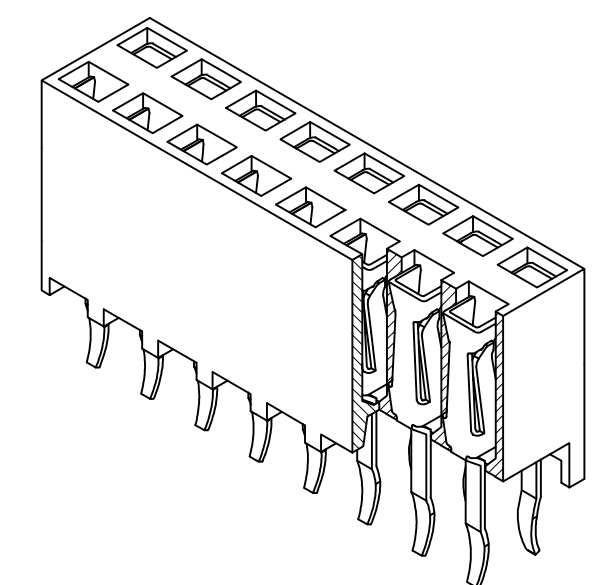
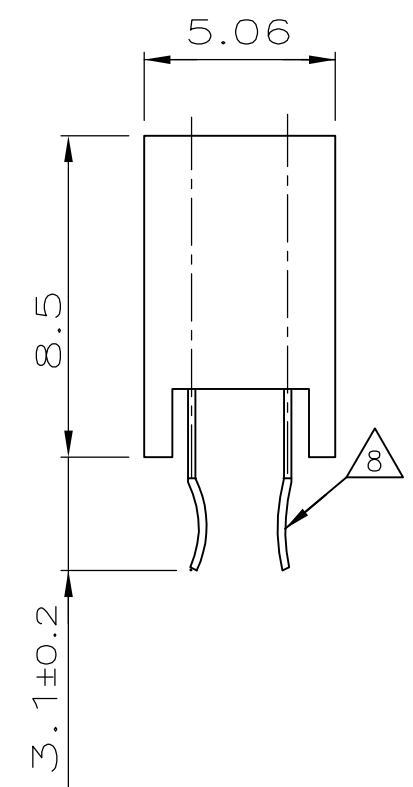
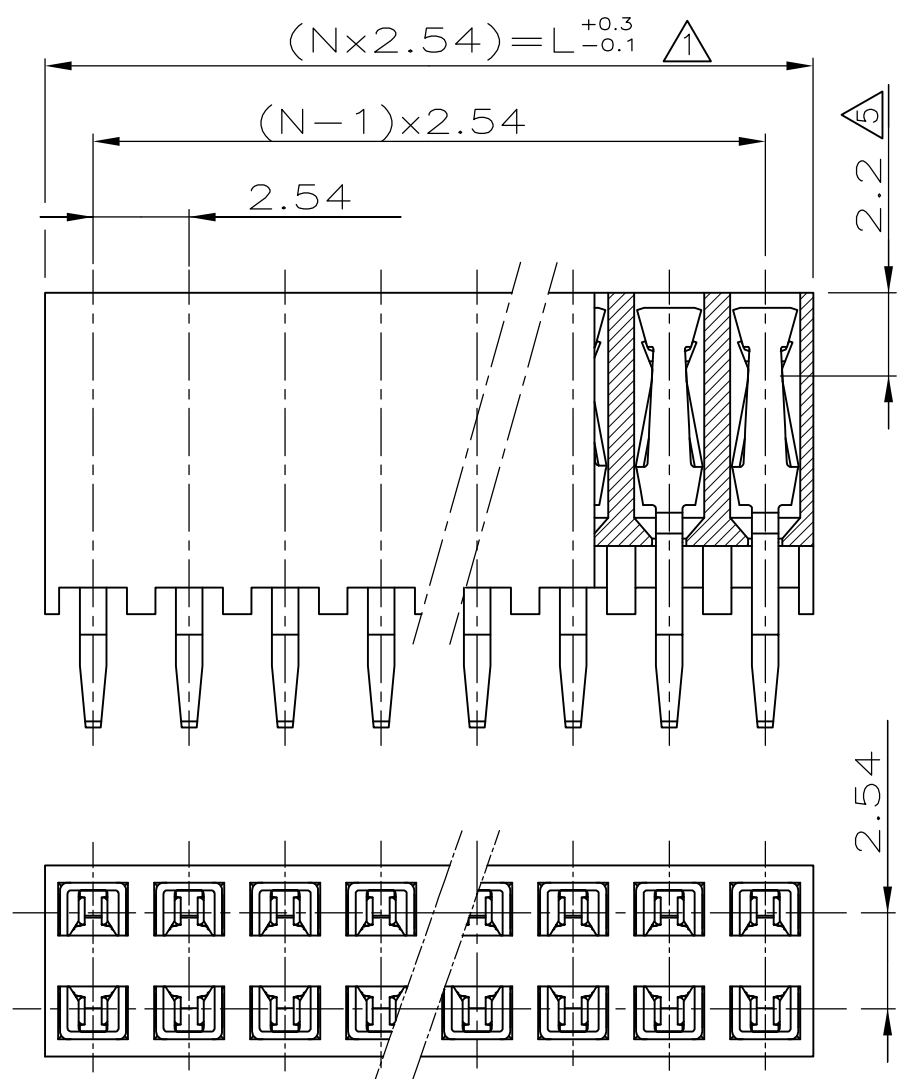
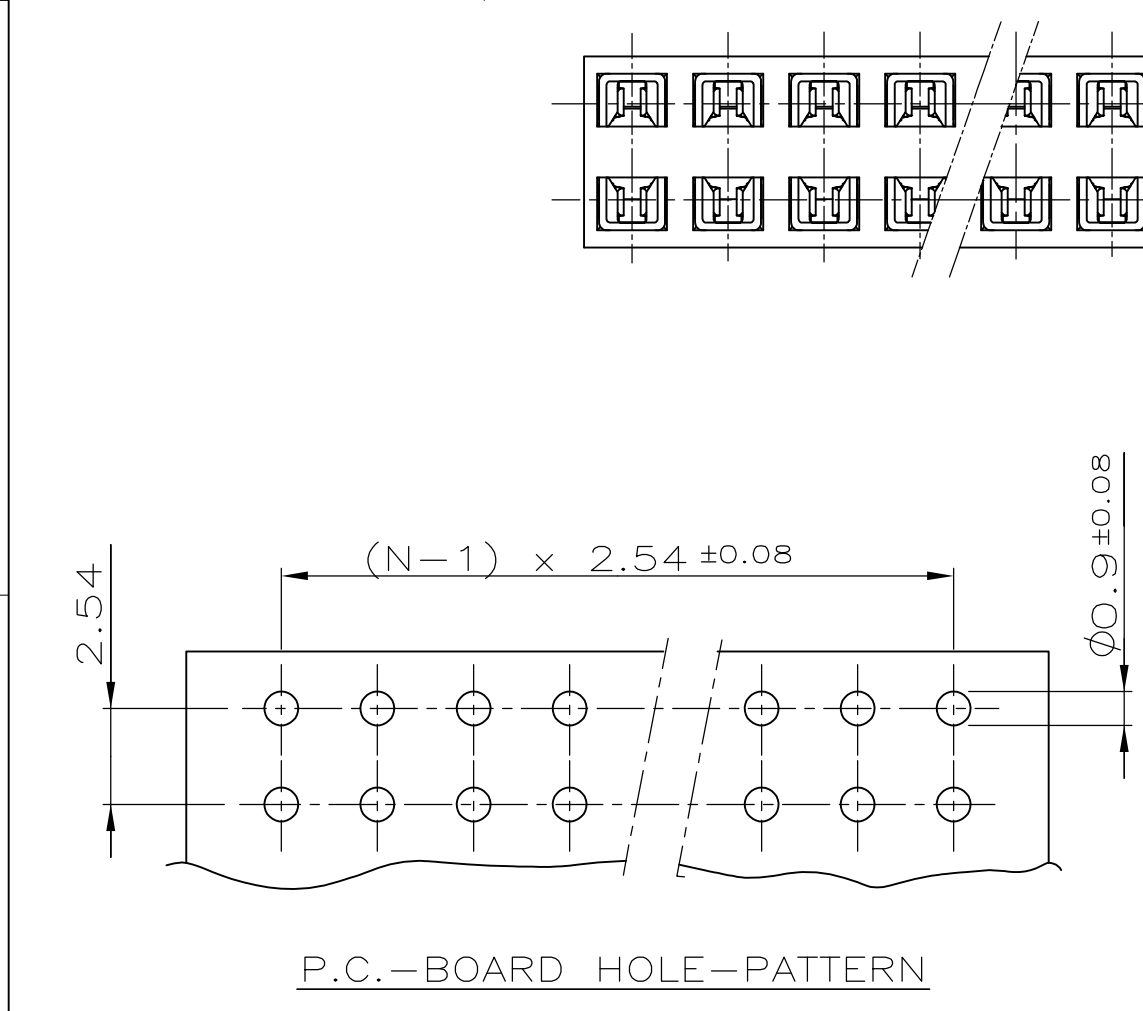


POS. PER ROW 'N'	L	PART NUMBER
2	5.08	215309-2
3	7.62	-3
4	10.16	-4
5	12.70	-5
6	15.24	-6
7	17.78	-7
8	20.32	-8
9	22.86	-9
10	25.40	1-0
11	27.94	1-1
12	30.48	1-2
13	33.02	1-3
14	35.56	1-4
15	38.10	1-5
16	40.64	1-6
17	43.18	1-7
18	45.72	1-8
19	48.26	1-9
20	50.80	2-0
21	53.34	2-1
22	55.88	2-2
23	58.42	2-3
24	60.96	2-4
25	63.50	2-5
26	66.04	2-6
27	68.58	2-7
28	71.12	2-8
29	73.66	2-9
30	76.20	3-0
31	78.74	3-1
32	81.28	3-2
33	83.82	3-3
34	86.36	3-4
35	88.90	3-5
36	91.44	3-215309-6



- NOTES:
- TO DETERMINE DIMENSIONS TAKE $2 \times N = \text{NR. OF POS.}$. FOR EXAMPLE: $2 \times 10 \text{ POS.} : N \times 2,54 = 25,4 \text{ mm.}$ FOR ORDER NR. USE BASIC NR. + NR. OF POS. FOR EXAMPLE: $2 \times 2 \text{ POS.} = 215\ 309-2$ (SHORTEST VERSION) $2 \times 36 \text{ POS.} = 3-215\ 309-6$ (LONGEST VERSION)
 - HOUSING MATERIAL: GREEN GLASSFILLED POLYESTER, UL 94V-0 CONTACT MATERIAL: PHOSPHOR BRONZE.
 - PLATING: UNDERCOATING: $1,3\ \mu\text{m Ni.}$ AT CONT.PLACE: $0,8\ \mu\text{m Au.}$ AT SOLDER-TYNES: MIN. $2,5\ \mu\text{m Sn.}$
 - MATES WITH 0,63 SQUARE/ROUND MODU POSTS.
 - CONTACT-POINT.
 - RECOMMENDED P.C.BOARD-THICKNESS: 1,6.
 - RETENTION FEATURE.
 - HV100 CONNECTOR PACKED IN ANTISTATIC BLISTER
 - OBSOLETE PARTS: OBSOLETE CIS STREAMLINING PER D.RENAUD/D.SINISI
 - OBSOLETE



THIS DRAWING IS A CONTROLLED DOCUMENT.		DWN L.V.D.HEYDEN 09.07.86	STE TE Connectivity		
DIMENSIONS: mm		CHK W.SIMONS			
TOLERANCES UNLESS OTHERWISE SPECIFIED: ±0.15		APVD L.v.SOEST	NAME HV 100 VERTICAL CONNECTOR DUAL ROW, 8,5mm HEIGHT, TOP ENTRY, GOLD, MAX. 2X36 POSITIONS		
0 PLC ± -		PRODUCT SPEC 108-19056	SIZE A3	CAGE CODE 00779	DRAWING NO C-215309
1 PLC ± -		APPLICATION SPEC	RESTRICTED TO		
2 PLC ± -		WEIGHT -	SCALE 5:1		
3 PLC ± -		CUSTOMER DRAWING	SHEET 1 OF 1		
4 PLC ± -		FINISH SEE NOTES	REV D		
ANGLES ± -					
MATERIAL SEE NOTES					

X-ON Electronics

Largest Supplier of Electrical and Electronic Components

Click to view similar products for [Headers & Wire Housings](#) category:

Click to view products by [TE Connectivity](#) manufacturer:

Other Similar products are found below :

[95000-104TRLF](#) [10135584-644402LF](#) [DF62W-EP2022PCA](#) [95000-106TRLF](#) [DF62W-2022SCA](#) [DF62W-EP2022PC](#) [2203348](#) [DF62W-2022SC](#) [1084018](#) [1029039](#) [1084017](#) [802-10-012-10-002000](#) [1112640](#) [1112639](#) [891-007-9SS-BST1T](#) [000-34000](#) [0008550134](#) [0009482033](#) [0009507031](#) [57102-F02-18ULF](#) [57102-S06-03LF](#) [57202-S52-04LF](#) [PCN6-15S-2.5E](#) [0039019024](#) [58102-G61-06LF](#) [582553-1](#) [0009485154](#) [0009508121](#) [0022285053](#) [0050291907](#) [018731A](#) [LY20-4P-DT1-P1E-BR](#) [02.125.8002.8](#) [60101931](#) [60598-1 \(Cut Strip\)](#) [M1625-3R/100](#) [61062-3](#) [61082-181009](#) [CSU011177004](#) [636-1427](#) [638009-1](#) [641938-9](#) [641991-4](#) [644168-1](#) [644827-2](#) [647662-1](#) [65039-019ELF](#) [65692-001LF](#) [65781-018](#) [65781-047](#)