

MODEL NO. : HCI-0750 SERIES



Features :

- * SMD version .
- * Low core loss and high efficiency performance .
- * Close magnetic path for low leakage flux .
- * Low DCR with flat wire design .
- * Compliant with RoHS and Halogen free .

Application :

- * Automobile .
- * VGA card .
- * DC/DC converter in power regulation system .



Electrical Specification :

PART NO	INDUCTANCE (μ H) \pm 20% @0ADC	INDUCTANCE (μ H)TYP @ TEMPERATURE RISE CURRENT	TEMPERATURE RISE CURRENT (ADC) (NOTE 2)	INDUCTANCE (μ H)TYP @SATURATION CURRENT	SATURATION CURRENT (ADC) (NOTE 3)	DCR \pm 10% (m Ω)
HCI075-R24	0.24 \pm 3 0 %	0 . 1 9	24.0	0.18	30.0	0.93
HCI075-R47	0 . 4 7	0 . 3 5	22.0	0.36	20.5	1.20
HCI075-R76	0 . 7 6	0 . 5 4	17.0	0.55	15.0	2.50
HCI075-1R1	1 . 1	0 . 7 5	15.0	0.8	13.0	3.20
HCI075-1R5	1 . 5	1 . 0	13.0	1.1	12.0	4.50
HCI075-2R0	2 . 0	1 . 4	11.0	1.5	10.0	6.20
HCI075-2R6	2 . 6	1 . 8	9.0	1.9	8.0	8.70
HCI075-3R3	3 . 3	2 . 2	8.5	2.3	8.0	9.50
HCI075-4R0	4 . 0	2 . 7	7.0	2.7	7.0	13.10
HCI075-4R9	4 . 9	3 . 4	6.5	3.4	6.5	15.10
HCI075-5R8	5 . 8	3 . 9	6.0	4.0	5.7	17.80
HCI075-6R5	6 . 5	4 . 5	5.3	4.6	5.3	22.2
HCI075-7R6	7 . 6	5 . 4	4.4	5.3	4.8	27.7
HCI075-8R5	8 . 5	5 . 9	4.4	5.8	4.5	29.4
HCI075-100	10	7 . 2	3.7	7.0	4.0	32.7

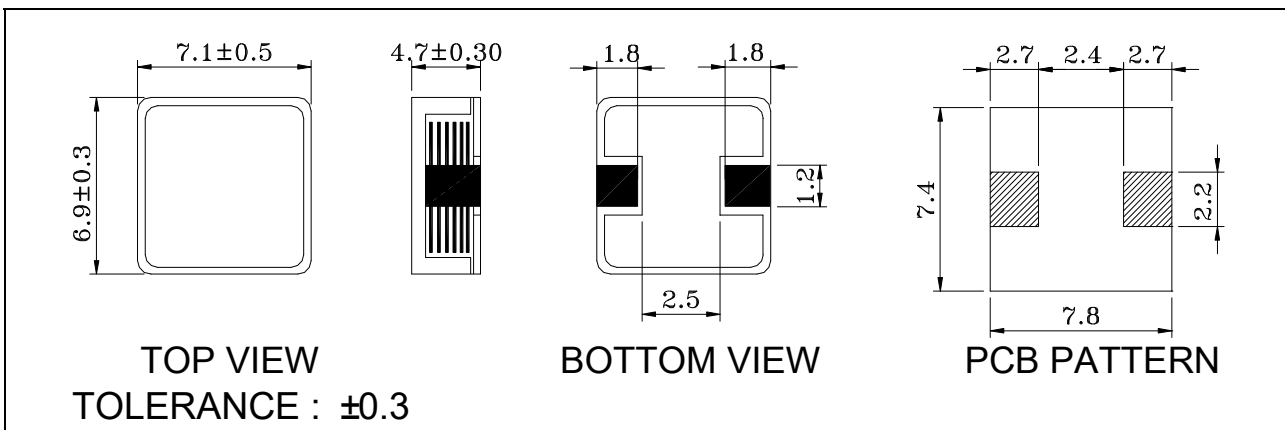
NOTE(1):Measuring condition : 100 KHZ,0.1vrms.

NOTE(2): Δ T =40°C approximately under the temperature rise current.

NOTE(3): The saturation current indicates the value of DC current is approximately 30% lower than its initial value of inductance.

NOTE(4): Operating temperature range: -40°C~+150°C.

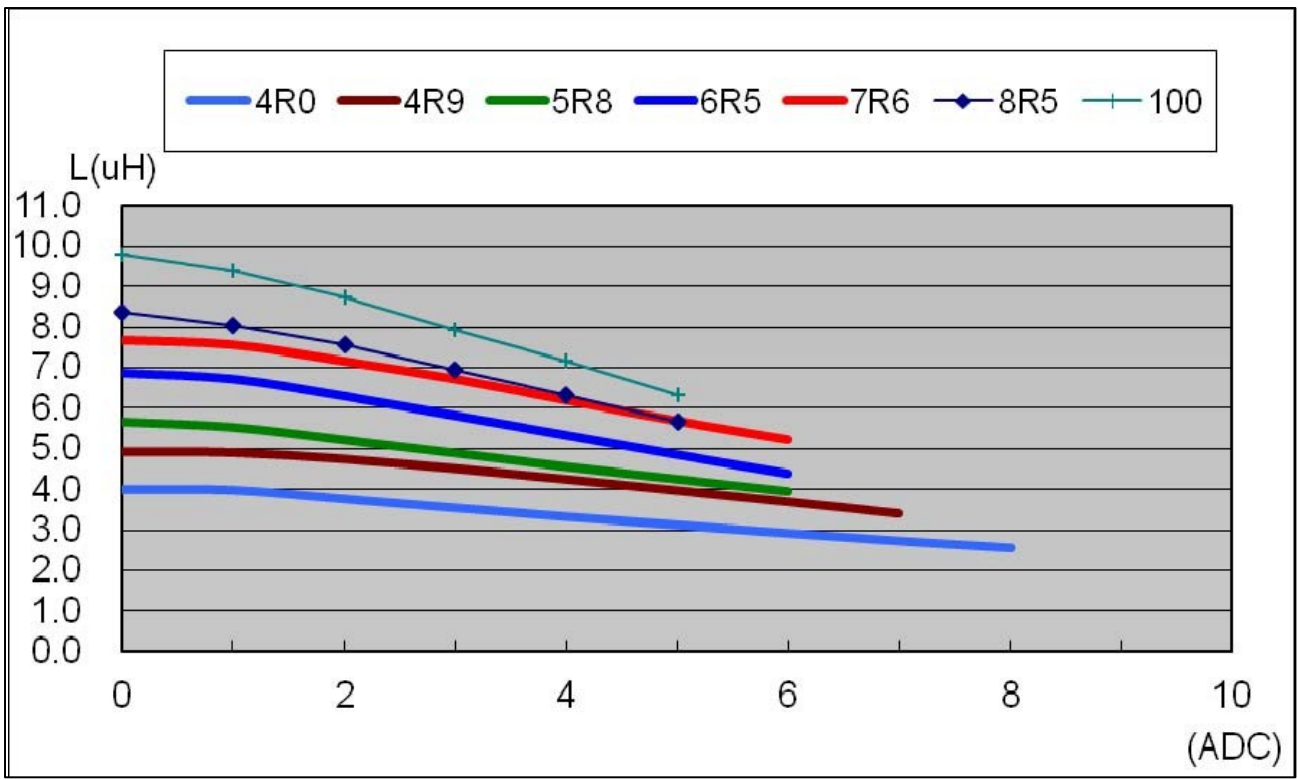
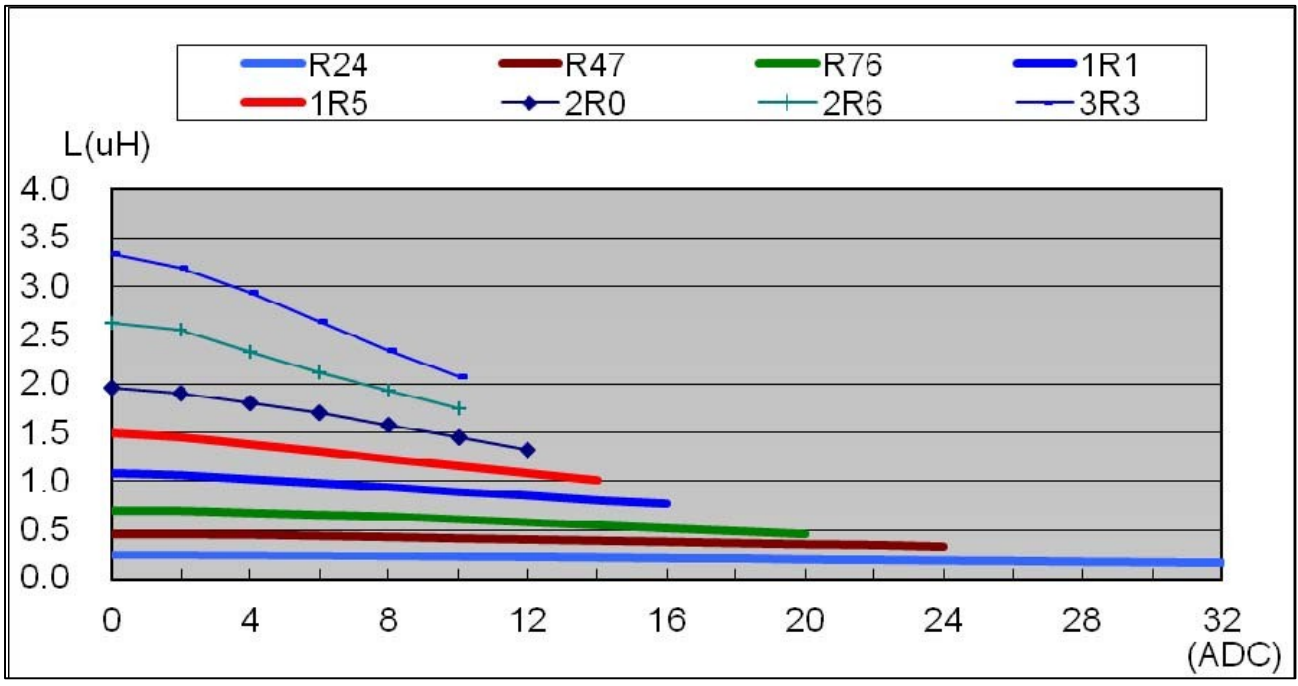
Physical Dimension : (unit :mm)



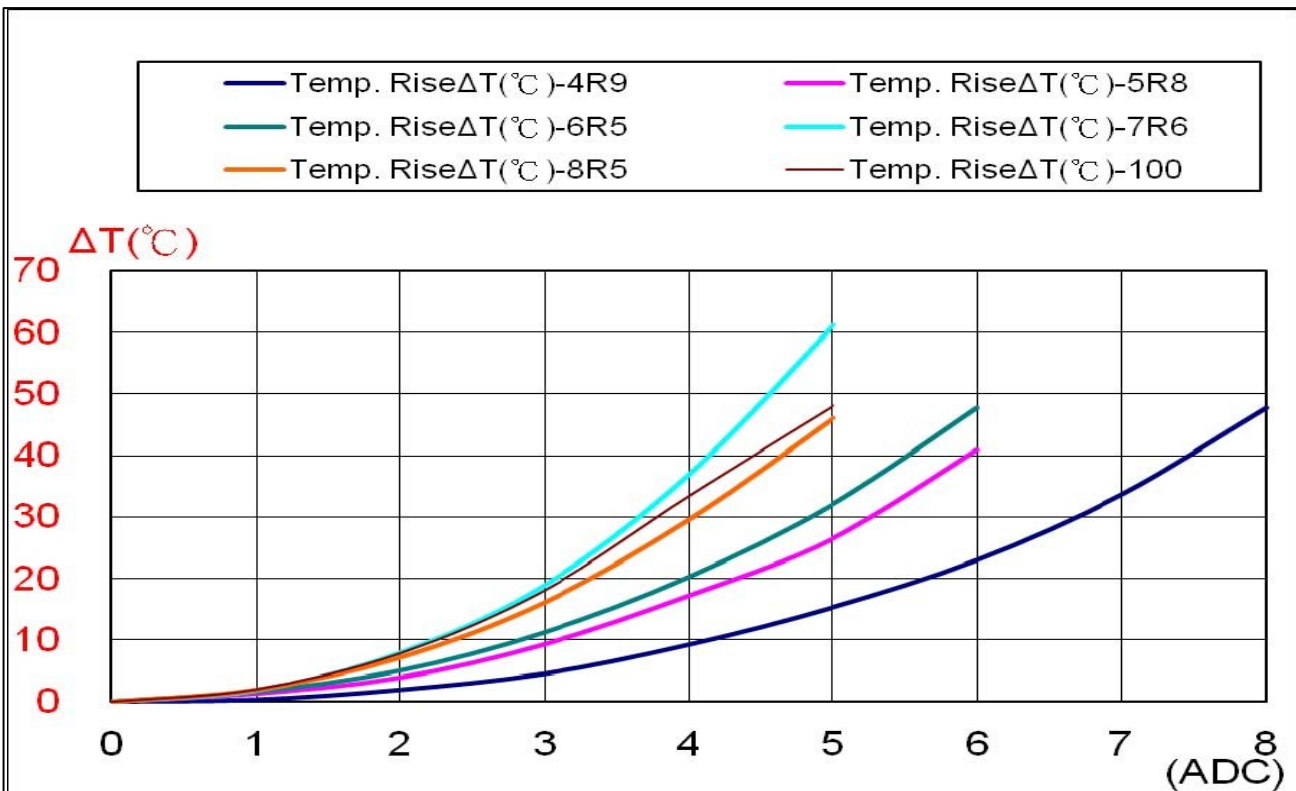
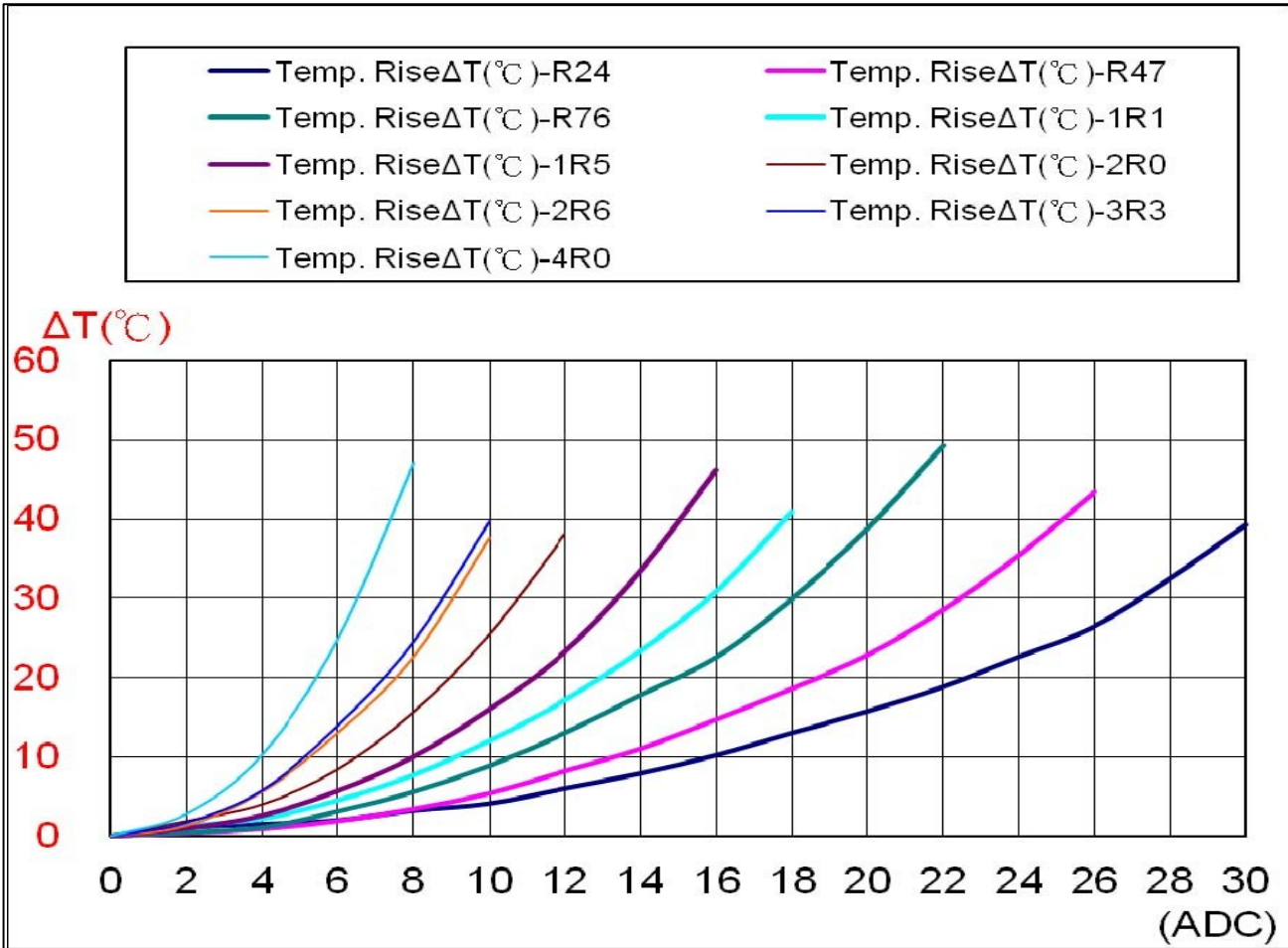
PACKAGING SPEC:

1. REEL SIZE & UNITS PER REEL :13",1000PCS.
2. TAP WIDTH : 1.6 mm .
3. REE WIDTH : 2.4 mm .
4. COMPONENT CH : 1.2 mm

INDUCTANCE vs DC BIAS:



TEMPERATURE RISE vs DC BIAS:



X-ON Electronics

Largest Supplier of Electrical and Electronic Components

Click to view similar products for [Ferrite Beads](#) category:

Click to view products by [Ferrocore](#) manufacturer:

Other Similar products are found below :

[2943778301](#) [BMB1J0120BN3JIT](#) [82350120560](#) [0261014605](#) [2643066902](#) [3061000011](#) [2673045901](#) [2643083601](#) [2643074901](#) [4361142521](#)
[4078078621](#) [4078044821](#) [4078033621](#) [CZB2BFTTE121P](#) [BMB2A0120AN2](#) [BMB1J0200BN3JIT](#) [EMI0805R-220](#) [74279250](#) [7427924](#)
[CZB1JGTTD202P](#) [MAF0603GWY551AT000](#) [MAF1005GWZ102AT000](#) [BLM18HE152SH1D](#) [2944778302](#) [BLM02PX600SN1D](#) [SMB2.5-1](#)
[EMI1206R-600](#) [BLM02KX180SN1D](#) [BLM02BC100SN1D](#) [BLM02KX100SN1D](#) [BLM02BB101SN1D](#) [BLM02BC220SN1D](#)
[BLE32PN260SH1L](#) [BLE32PN260SN1L](#) [BLE32PN260SZ1L](#) [74275013](#) [7427503](#) [BLM18HE601SH1D](#) [BLM15BD152SN1D](#)
[BLM15BD152SZ1D](#) [BLE18PS080SZ1D](#) [BLM21PG221BH1D](#) [WLBD1005HCU330TL](#) [BLM21AG471BH1D](#) [BLE18PS080BH1D](#)
[BLM21AG331BH1D](#) [BLM21PG300BH1D](#) [BLM21PG600BH1D](#) [BLM03HB401SZ1D](#) [BLM03HB401SN1D](#)