

T5009 & T5009-6



For full product information, visit www.sti.com. Use the SpeedSpec code or scan the QR Code for quick access to the specific web page.

Universal Tongue-Operated Safety Interlock Switch

- Strong and versatile—the compact size of the strong, glass-filled polyester housing and metal reinforced cam allows this popular switch to be used in most applications
- NEMA 6 enclosure enables these switches to withstand water washdown cleaning.
- Rotatable head gives four possible actuator entry points for versatile installation. A blanking plug is supplied for the unused entry.
- Small swing radius allows use on doors with a swing radius as small as 2.5 in. when using the optional flexible actuators
- Hi-Hold models reduce nuisance rips and allow the switch to also serve as the gate catch without the need to mount any additional hardware.
- The 4 contact poles provide 2 poles for dual channel safety monitoring and 2 additional poles for status monitoring
- Optional connector makes installation easy
- An optional stainless steel head is available
- A Rapid Delivery Product: Select models are available for shipment today or within 3 to 5 days



HI-HOLD MODELS AVAILABLE



Conforms to EN1088, EN292, EN60947-5-1, EN60204-1
UL and C-UL listed

G

Specifications

Electrical	All Models	T5009	T5009-6
Contact Configurations:		2 N/C + 1 N/O	2 N/C + 2 N/O, 3 N/C + 1 N/O, 4 N/C
Safety Contacts:	2 N/C positive break		
Switching Ability	AC: 500 V–1 A, 240 V–3 A, 120 V–6 A DC: 250 V–0.5 A, 24 V–2.5 A		
Safety Contact Gap:	> 2 mm (0.079 in.)		
Auxiliary Contacts:		1 N/O	1 N/C + 1 N/O, 2 N/C, 2 N/O
Max Switching Current/Volt/Amp:	500 V/500 VA		
Minimum Current:	5 V 5 mA DC		
Electrical Life:	1 x 10 ⁶ minimum		
Mechanical			
Mounting:	Any position		
Mounting Hardware:	2 x M5 screws		
Actuator Travel for Positive Opening:	7 mm (0.275 in.)		
Min Operating Radius:	60 mm (2.5 in.) with Flex 1 actuator; 175 mm (6.89 in.) with standard actuator		
Break Contact Min Force:	12 N (2.7 lb.); Hi-Hold models are 50 N (11.2 lbs.)		
Max Actuation Speed:	160 mm/sec (6.30 in./sec)		
Max Actuation Frequency:	2 cycles/sec		
Case Material:	UL listed, glass-filled polyester, optional stainless steel head		
Actuator Material:	Stainless steel		
Wiring Entry:	M20 with 1/2 in. NPT adapter included, 1/2 in. NPT, 6-pin micro AC connector 1/2 in.– 20		
Weight:	160 g (5.6 oz.)		
Color:	Red		
Mechanical Life:	1 x 10 ⁶ minimum		
Environmental			
Protection:	IP67 (NEMA 6)		
Operating Temperature:	-25 to 80°C (-13 to 176°F)		
Cleaning:	Water washdown		
Compliance			
Standards:	EN1088, EN292, EN60947-5-1, EN60204-1, UL508		
Approvals/Listings:	CE marked for all applicable directives, UL and C-UL		

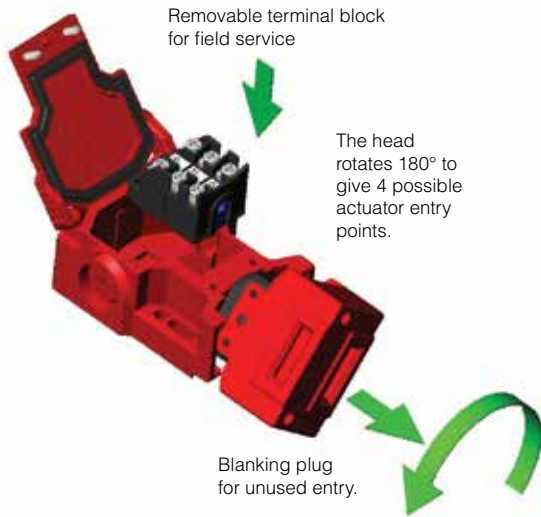
Specifications are subject to change without notice.

Note: The safety contacts of the STI switches are described as normally closed (N/C)—i.e., with the guard closed, actuator in place, and the machine able to be started.

Select models are available for Rapid Delivery.

Visit this product on www.sti.com for details.

Operation



Flex 1
15° flexibility in any direction.



Flex 2
15° flexibility in two directions.



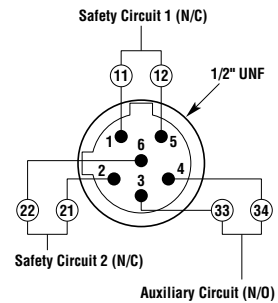
Optional SLD Series

Optional switch locking devices are available. See accessories section for details.

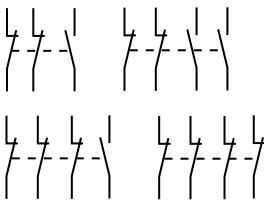


Optional Connector for 3-Pole Switches

6-Pin Male, Micro AC, 1/2-20 UN2A

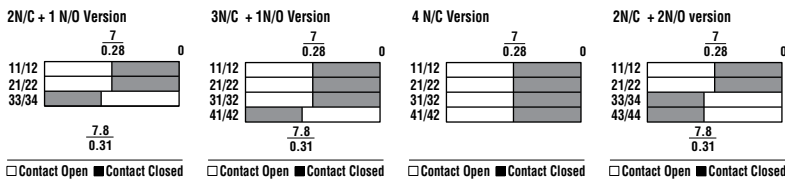


Contact Arrangements



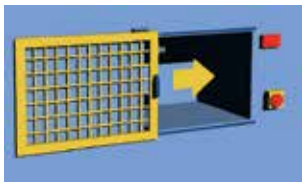
Minimum Allowable Radius for Actuator Entry				
44501-0755	175 mm	175 mm	175 mm	175 mm
44501-0785	175 mm	175 mm	175 mm	175 mm
44501-0790	175 mm	175 mm	175 mm	175 mm
44501-0765	175 mm	50 mm	60 mm	175 mm
44501-0760	60 mm	60 mm	60 mm	60 mm

Contact Block Operation at Withdrawal of Actuator

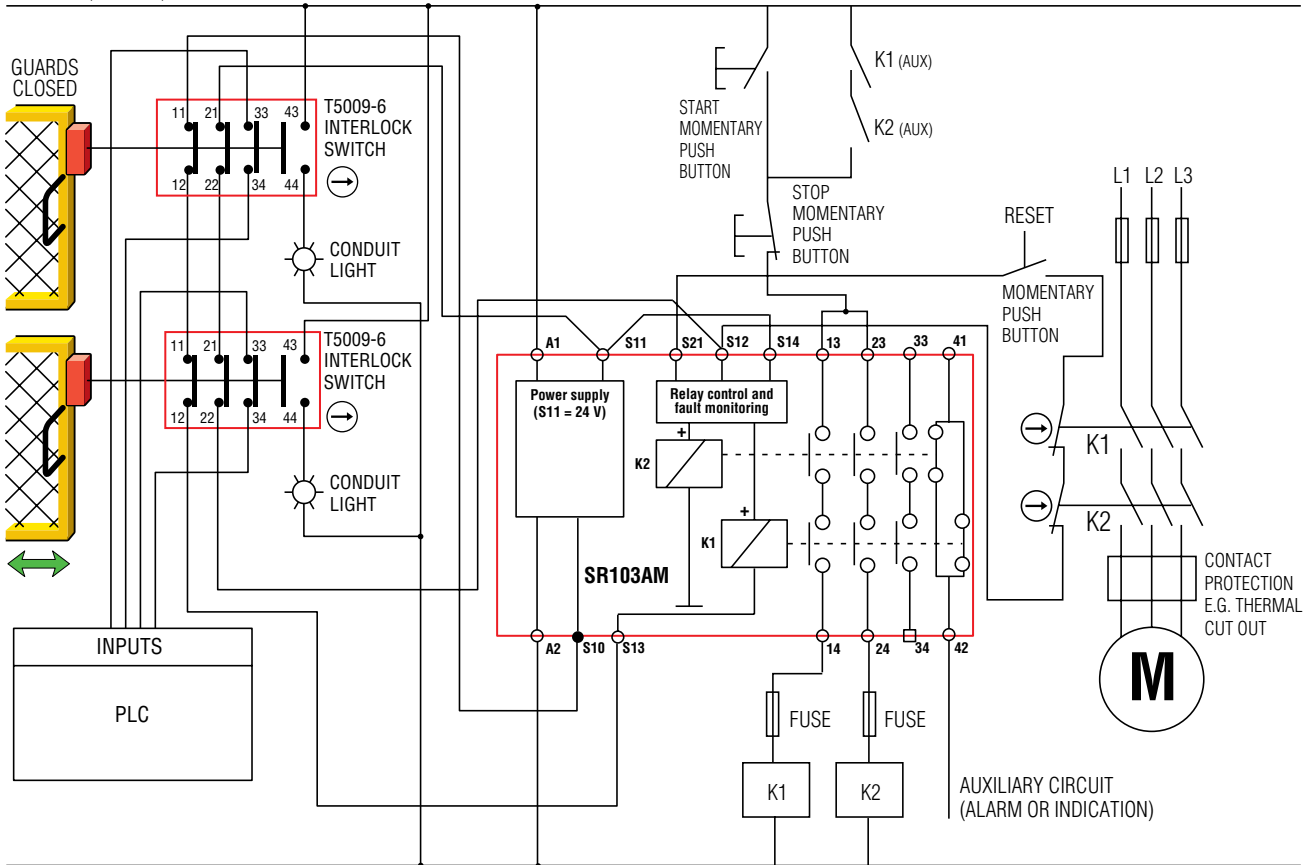



Applications

Typical applications are on sliding guard doors or swinging guard doors with a 2.5 in. minimum swing radius when using the flexible actuators.



24VAC/DC, 110VAC, 230VAC



 For a full explanation of the circuit operating principle and fault detection, see "Common Circuit Examples" in The Expert Area Section of this catalog on page A31

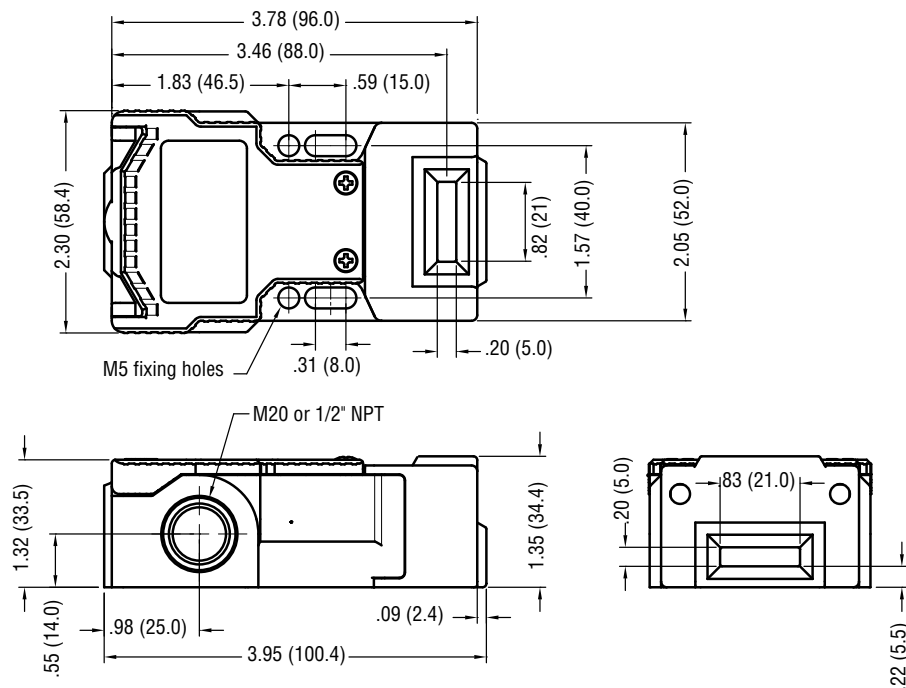
 Select models are available for Rapid Delivery.

Visit this product on www.sti.com for details.

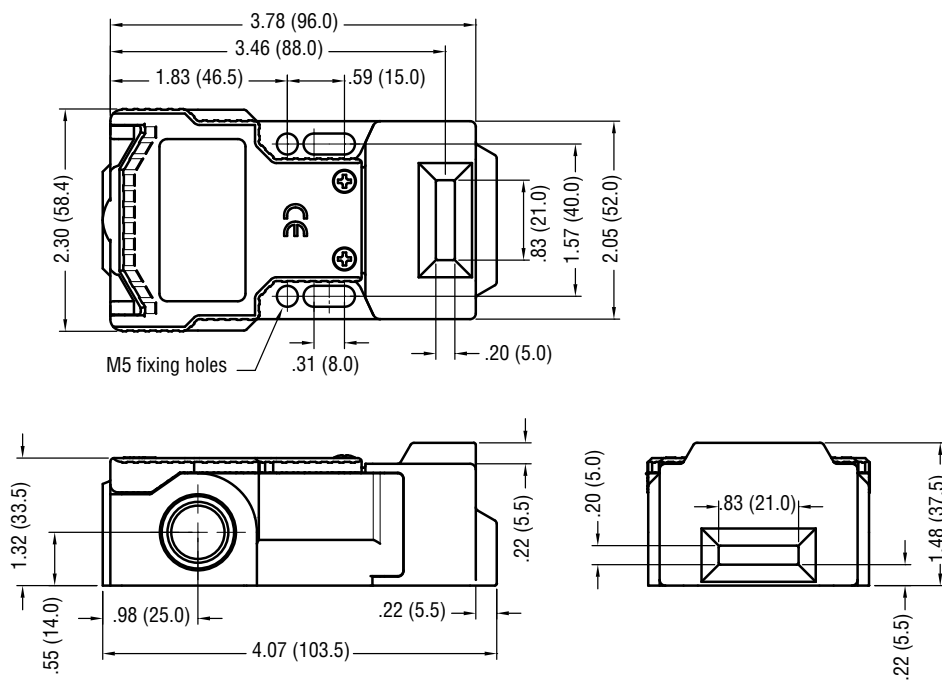
Dimensions

(mm/in.)

T5009, T5009-6 Switch with Plastic Head



T5009, T5009-6 Switch with Stainless Steel Head



 Select models are available for Rapid Delivery.

Visit this product on www.sti.com for details.

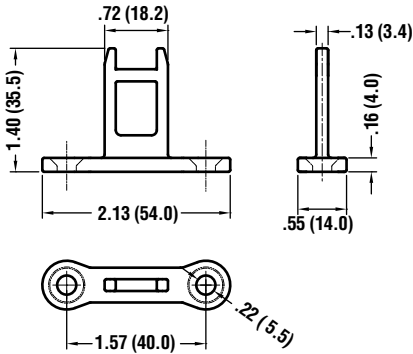
Dimensions (continued)

(mm/in.)

Standard & Flat Actuator Selections

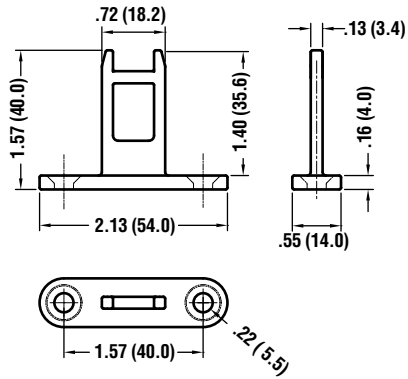
SA01-STD

44501-0755 (for use with plastic headed switches)



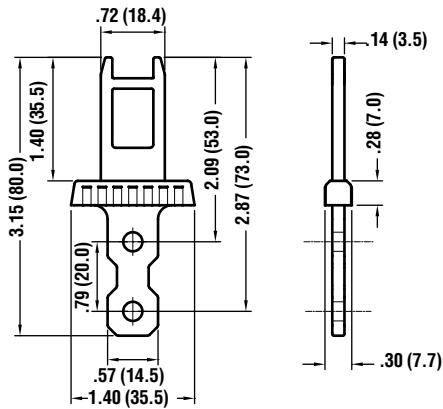
SA01-SSTD

44501-0785 (for use with stainless steel headed switches)



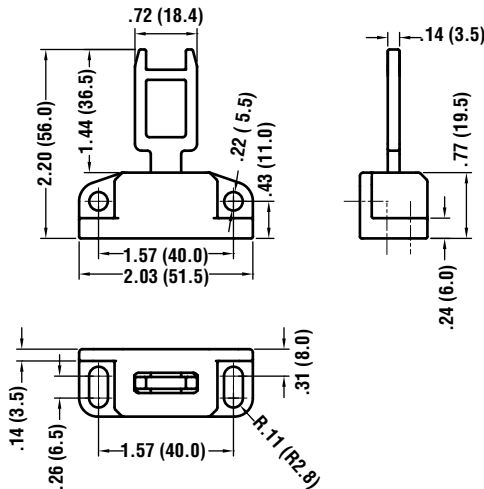
SA01-FSTD

44501-0790 (for use with plastic or stainless steel headed switches)



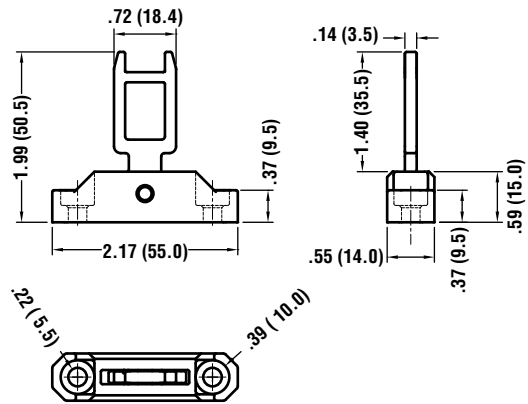
SA01-FLX1

44501-0760 (for use with plastic or stainless steel headed switches)



SA01-FLX2

44501-0765 (for use with plastic or stainless steel headed switches)



G

Select models are available for Rapid Delivery.

Visit this product on www.sti.com for details.

Ordering

Model	Contacts	Wiring Entry	Part No.
T5009 Switch Only			
T5009-021M	2NC+1NO BBM	3 x M20/NPT	44501-0010
T5009-021MHH (High-Hold Model)	2NC+1NO BBM	3 x M20/NPT	44501-5010
T5009-021N	2NC+1NO BBM	3 X 1/2 NPT	44501-0020
T5009-021NHH (High-Hold Model)	2NC+1NO BBM	3 x 1/2 NPT	44501-5020
T5009-021QD	2NC+1NO BBM	6-pin Micro AC Conn.	44501-0030
T5009-021QDHH (High-Hold Model)	2NC+1NO BBM	6-pin Micro AC Conn.	44501-5030
T5009-021SSM (Stainless Steel Head)	2NC+1NO BBM	3 x M20/NPT	44501-0040
T5009-021SSMHH (Stainless Steel Head, High-Hold Model)	2NC+1NO BBM	3 x M20/NPT	44501-5040
T5009-021SSN (Stainless Steel Head)	2NC+1NO BBM	3 X 1/2 NPT	44501-0050
T5009-021SSNHH (Stainless Steel Head, High-Hold Model)	2NC+1NO BBM	3 x 1/2 NPT	44501-5050
T5009-021SSCC (Stainless Steel Head)	2NC+1NO BBM	6-pin Micro AC Conn.	44501-0060
T5009-021SSCCHH (Stainless Steel Head, High-Hold Model)	2NC+1NO BBM	6-pin Micro AC Conn.	44501-5060
T5009 Standard Actuator			
T5009-021SM	2NC+1NO BBM	3 x M20/NPT	44501-0110
T5009-021SMHH (High-Hold Model)	2NC+1NO BBM	3 x M20/NPT	44501-5110
T5009-021SN	2NC+1NO BBM	3 X 1/2 NPT	44501-0450
T5009-021SCC	2NC+1NO BBM	6-pin Micro AC Conn.	44501-0410
T5009-021FSSM (Stainless Steel Head)	2NC+1NO BBM	3 x M20/NPT	44501-0500
T5009-021FSSN (Stainless Steel Head)	2NC+1NO BBM	3 X 1/2 NPT	44501-0520
T5009 Flex 1 Actuator			
T5009-021F1M	2NC+1NO BBM	3 x M20/NPT	44501-0120
T5009-021F1MHH (High-Hold Model)	2NC+1NO	3 x M20/NPT	44501-5120
T5009-021F1N	2NC+1NO BBM	3 X 1/2 NPT	44501-0170
T5009 Flex 2 Actuator			
T5009-021F2M	2NC+1NO BBM	3 x M20/NPT	44501-0440
T5009-021F2N	2NC+1NO BBM	3 X 1/2 NPT	44501-0470
T5009-6 Switch Only			
T5009-6022M	2NC+2NO BBM	3 x M20/NPT	44501-1020
T5009-6022N	2NC+2NO BBM	3 X 1/2 NPT	44501-1025
T5009-6031M	3NC+1NO BBM	3 x M20/NPT	44501-1030
T5009-6031N	3NC+1NO BBM	3 X 1/2 NPT	44501-1035
T5009-6040M	4NC BBM	3 x M20/NPT	44501-1040
T5009-6040N	4NC BBM	3 X 1/2 NPT	44501-1045
T5009-6022SSM (Stainless Steel Head)	2NC+2NO BBM	3 x M20/NPT	44501-2020
T5009-6022SSN (Stainless Steel Head)	2NC+2NO BBM	3 X 1/2 NPT	44501-2025
T5009-6031SSM (Stainless Steel Head)	3NC+1NO BBM	3 x M20/NPT	44501-2030
T5009-6031SSN (Stainless Steel Head)	3NC+1NO BBM	3 X 1/2 NPT	44501-2035
T5009-6040SSM (Stainless Steel Head)	4NC BBM	3 x M20/NPT	44501-2040
T5009-6040SSN (Stainless Steel Head)	4NC BBM	3 X 1/2 NPT	44501-2045
T5009-6 Standard Actuator			
T5009-6022SM	2NC+2NO BBM	3 x M20/NPT	44501-3020
T5009-6022SN	2NC+2NO BBM	3 X 1/2 NPT	44501-3025
T5009-6031SM	3NC+1NO BBM	3 x M20/NPT	44501-3030
T5009-6031SN	3NC+1NO BBM	3 X 1/2 NPT	44501-3035
T5009-6040SM	4NC BBM	3 x M20/NPT	44501-3040
T5009-6040SN	4NC BBM	3 X 1/2 NPT	44501-3045
Actuators For Plastic Headed T5009, T5009-6 Switches			
SA01-STD, Standard Actuator T5009, T5009-6, Plastic Head Switches			44501-0755
Actuators For Stainless Steel Headed T5009, T5009-6 Switches			
SA01-SSTD, Standard Actuator for T5009, T5009-6 Stainless Steel Head Switches			44501-0785
Actuators Compatible with both Plastic and Stainless Steel Headed T5009, T5009-6 Switches			
SA01-FLX1, Flex 1 Actuator T5009, T5009-6, Plastic or SS Headed Switches			44501-0760
SA01-FSTD, Flat Actuator T5009, T5009-6, Plastic or SS Headed Switches			44501-0790
SA01-FLX2, Flex 2 Actuator T5009, T5009-6, Plastic Head Switches			44501-0765
Accessories			
Spare M20 to 1/2" NPT Adapter			44512-0110
M20 Cord Grip			44512-0090

BBM = Break Before Make Contacts

 **Select models are available for Rapid Delivery.**

Visit this product on www.sti.com for details.



For information on Accessories, including Conduit Lights and Cables with Mating Connectors, see page G121.

X-ON Electronics

Largest Supplier of Electrical and Electronic Components

Click to view similar products for [Omron](#) manufacturer:

Other Similar products are found below :

[E3X-DA41-S](#) [E3X-SD11 2M](#) [S82Y-VM30D](#) [E3ZM-LS81H 2M](#) [WLCL-TS](#) [XS2FM12PVC4A2MLED](#) [XW2Z-300B](#) [F309VM](#) [G9EB-1-B](#)
[DC48](#) [NT2S-SF123B-EV2](#) [CJ2M-CPU32.1](#) [E2E-X5ME2](#) [E2J-JC4A](#) [E2E2-X5Y2-US](#) [NT21-ST121-E](#) [G9EA-1 DC60](#)
[K8AKTH11SAC100240](#) [E2K-L13MC1](#) [E3ZM-R66](#) [G5LE-1-CF](#) [DC5](#) [XS2M-D824-4](#) [E2EC-C2R5C1](#) [E3C-LS3R](#) [E5AC-CX4A5M-000](#)
[G6A234PST40USDC5](#) [A-20G-B7-K](#) [G2RL1ECFDC48](#) [A6E0101](#) [G5SB-1 DC5](#) [E2EM-X8X1 2M](#) [G3VM-S3](#) [F39-LGF](#) [A22-GG-10M](#)
[G3VM-101LR](#) [B3D4112](#) [G8N-1H DC12 SK](#) [LY1D-2-5S-AC120](#) [LY1FAC100110](#) [M165-JR-24D](#) [CS1G-CPU43-E](#) [CS1WBC033](#)
[CS1WCT041](#) [M22CAT1](#) [61FG3AC110220](#) [61F-GP-NT AC110](#) [M7E-01DGN2-B](#) [M7E-02DGN2](#) [M7E-08DRN2](#) [M7E-20DRN1](#) [M7E-](#)
[HRN2](#)