

MODEL NO. : HCI1890 SERIES



Features :

- * SMD version .
- * Low core loss and high efficiency performance.
- * Close magnetic path for low leakage flux .
- * Low DCR with flat wire design .
- * Compliant with RoHS and Halogen free .

Application :

- * Solar energy . * Medical equipment .
- * DC/DC converter in power regulation system .



Electrical Specification :

PART NO	INDUCTANCE (uH) $\pm 20\%$ @0ADC	DCR (m Ω) $\pm 10\%$	INDUCTANCE (uH) TYP @TEMPERATURE RISE CURRENT	TEMPERATURE RISE CURRENT (ADC) (NOTE 2)	SATURATION CURRENT (ADC) (NOTE 3)
HCI1890-R82	0.82	0.56	0.76	33.0	65.0
HCI1890-1R3	1.3	1.05	1.2	32.0	62.0
HCI1890-1R9	1.9	1.2	1.6	30.0	52.0
HCI1890-2R6	2.6	1.65	2.2	25.5	50.0
HCI1890-3R5	3.5	3.1	3.1	22.0	37.0
HCI1890-4R5	4.5	3.4	3.9	18.5	37.0
HCI1890-5R6	5.6	3.9	4.9	18.0	33.0
HCI1890-6R8	6.8	4.1	5.8	16.5	27.0
HCI1890-8R2	8.2	5.1	7.4	16.0	22.0
HCI1890-100	10.0	7.1	7.1	14.0	16.0
HCI1890-120	12.0	8.0	9.0	13.5	15.0
HCI1890-150	15.0	9.3	12.0	12.0	14.0
HCI1890-220	22.0	14.6	18.5	9.0	12.0
HCI1890-330	33.0	22.6	29.7	7.0	9.0
HCI1890-470	47.0	34.0	43.0	5.2	7.2
HCI1890-820	82.0	56.0	75.0	4.5	4.8

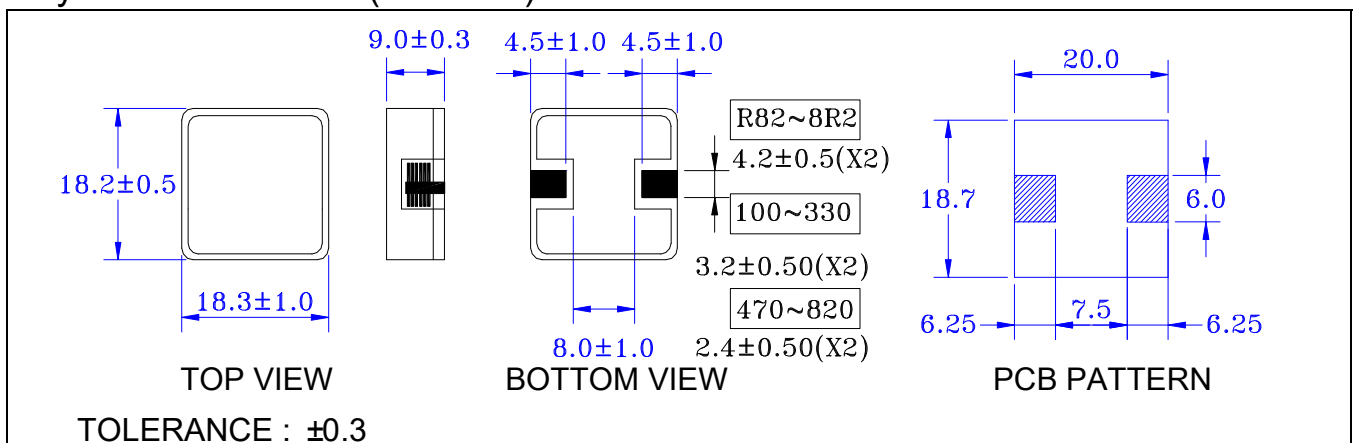
NOTE(1): Measuring condition : 100 KHZ,0.1Vrms.

NOTE(2): $\Delta T=40^{\circ}\text{C}$ approximately under the temperature rise current.

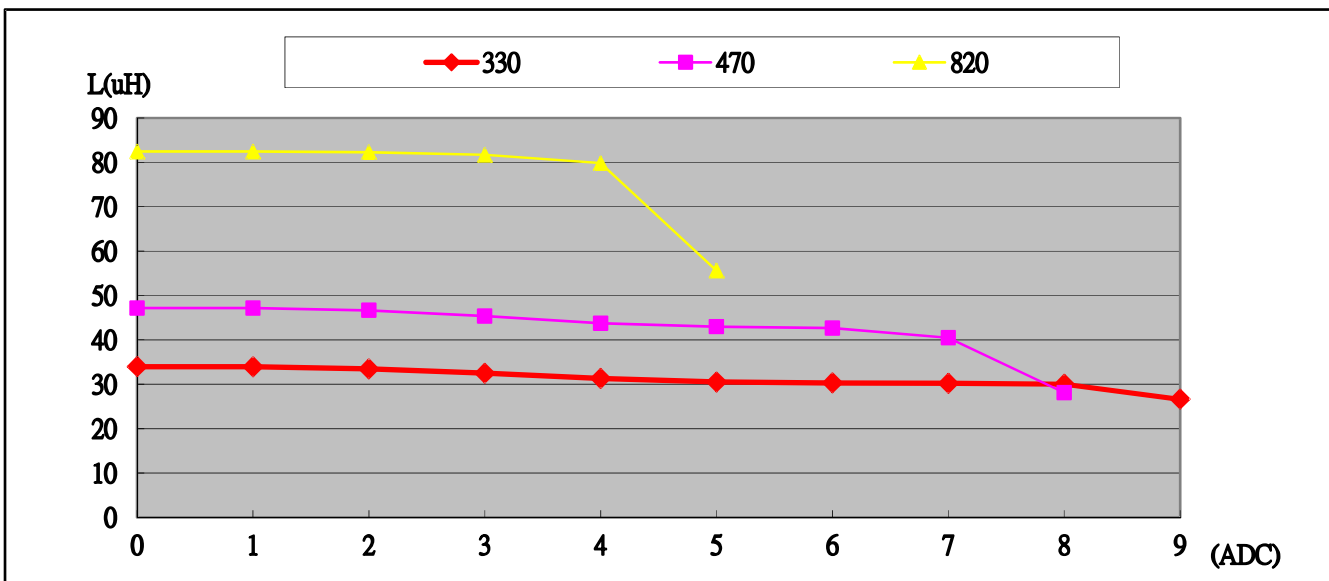
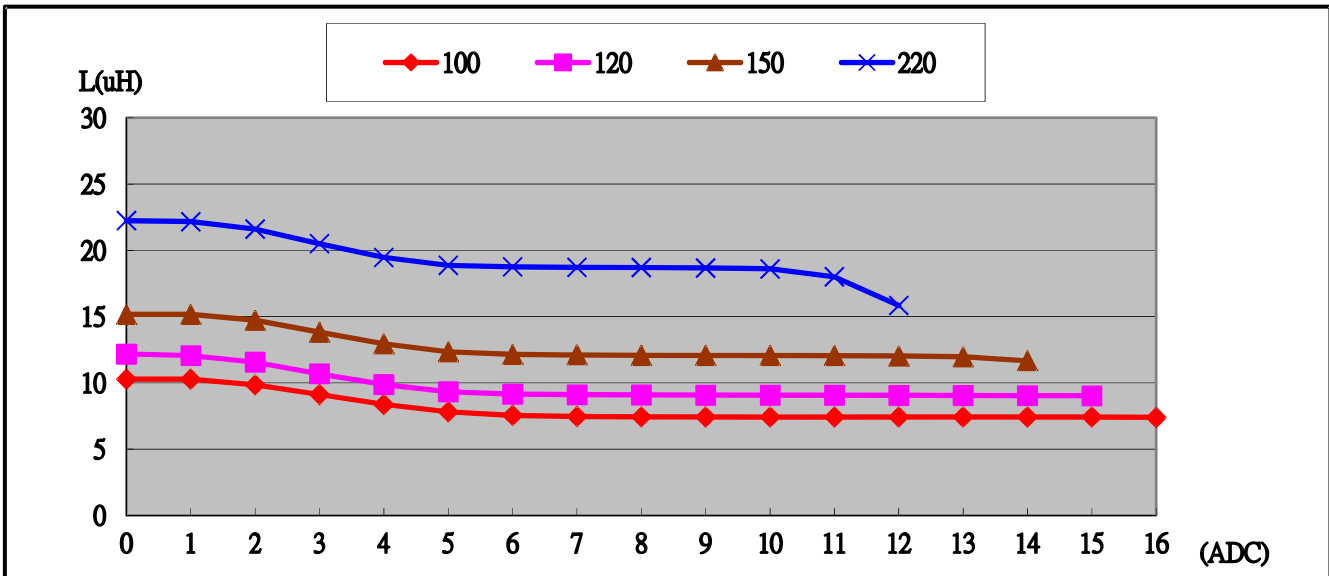
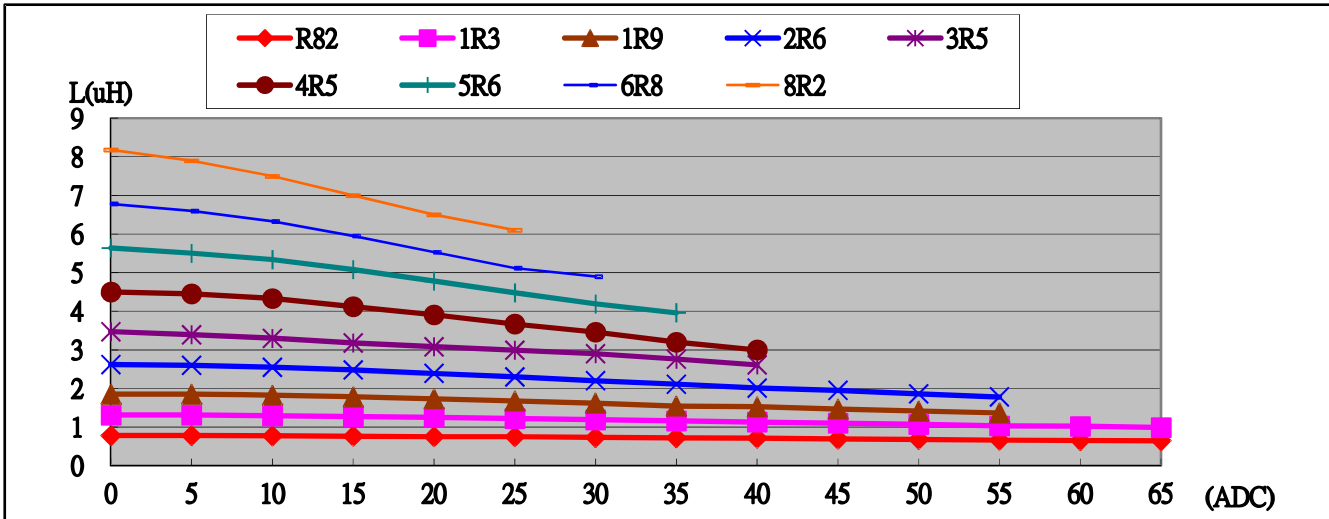
NOTE(3): The saturation current indicates the value of DC current is approximately 30% lower than its initial value of inductance.

NOTE(4): Operating temperature range: $-40^{\circ}\text{C} \sim +150^{\circ}\text{C}$

Physical Dimension : (unit :mm)



INDUCTANCE vs DC BIAS:



PACKAGING SPEC:

1. REEL SIZE & UNITS PER REEL :13",150PCS.
2. TAPE WIDTH:32mm.
3. REEL WIDTH:38.4mm
4. COMPONENT PITCH:32mm

X-ON Electronics

Largest Supplier of Electrical and Electronic Components

Click to view similar products for [Fixed Inductors](#) category:

Click to view products by [Ferrocore](#) manufacturer:

Other Similar products are found below :

[MLZ1608M6R8WTD25](#) [MLZ1608N6R8LT000](#) [MLZ1608N3R3LTD25](#) [MLZ1608N3R3LT000](#) [MLZ1608N150LT000](#)
[MLZ1608M150WTD25](#) [MLZ1608M3R3WTD25](#) [MLZ1608M3R3WT000](#) [MLZ1608M150WT000](#) [MLZ1608A1R5WT000](#)
[MLZ1608N1R5LT000](#) [B82432C1333K000](#) [PCMB053T-1R0MS](#) [PCMB053T-1R5MS](#) [PCMB104T-1R5MS](#) [CR32NP-100KC](#) [CR32NP-151KC](#) [CR32NP-180KC](#) [CR32NP-181KC](#) [CR32NP-1R5MC](#) [CR32NP-390KC](#) [CR32NP-3R9MC](#) [CR32NP-680KC](#) [CR32NP-820KC](#)
[CR32NP-8R2MC](#) [CR43NP-390KC](#) [CR43NP-560KC](#) [CR43NP-680KC](#) [CR54NP-181KC](#) [CR54NP-470LC](#) [CR54NP-820KC](#) [CR54NP-8R5MC](#)
[MGDQ4-00004-P](#) [MGDU1-00016-P](#) [MHL1ECTTP18NJ](#) [MHL1JCTTD12NJ](#) [PE-51506NL](#) [PE-53601NL](#) [PE-53630NL](#) [PE-53824SNLT](#) [PE-62892NL](#) [PE-92100NL](#) [PG0434.801NLT](#) [PG0936.113NLT](#) [PM06-2N7](#) [PM06-39NJ](#) [HC2LP-R47-R](#) [HC2-R47-R](#) [HC3-2R2-R](#) [HC8-1R2-R](#)