

7580-A\*\*\*

7580-B\*\*\*

89-00-3001	7580-A1L	NOT TOOLED	7580-B1B
89-00-3002	7580-A2L	I5-04-9224	7580-B1B-BU
NOT TOOLED	7580-A2A	I5-04-0288	7580-B1C
		I5-04-9222	7580-B1C-BU

7580-\*\*\*

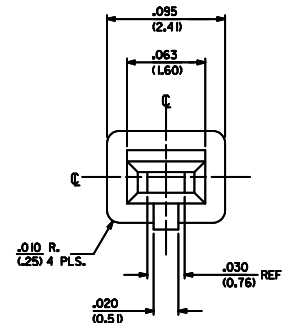
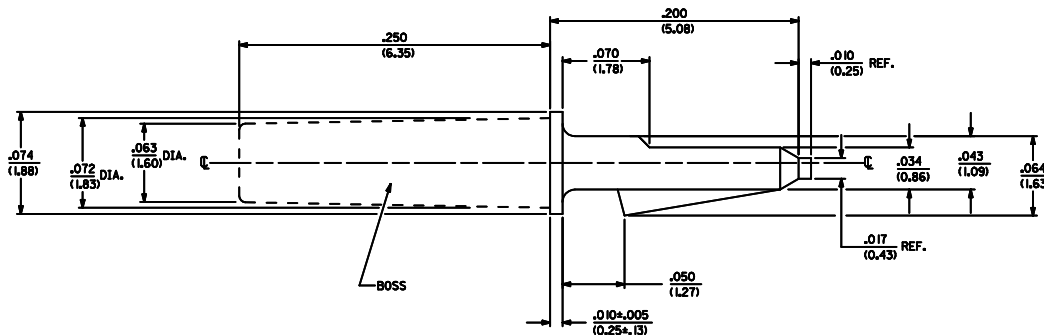
VERSION: \_\_\_\_\_ COLOR: \_\_\_\_\_

BLANK=NATURAL  
BU=BLUE

BOSS OPTIONS:  
1-WITHOUT BOSS  
2-WITH BOSS

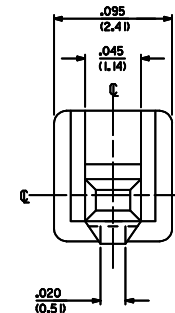
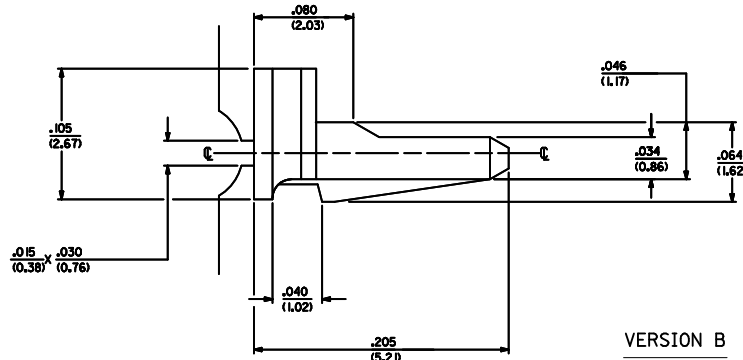
FORM OF SHIPMENT:  
A-RUNNER TYPE 1  
B-RUNNER TYPE 2  
C-RUNNER TYPE 3  
L-LOOSE

- NOTES:  
1. MATERIAL: NYLON, TYPE 6/6, UL94V-2. COLOR: SEE LEGEND  
2. FINISH: N/A  
3. THIS PART CONFORMS TO CLASS B REQUIREMENTS OF COSMETIC SPECIFICATION PS-45499-002.



VERSION A

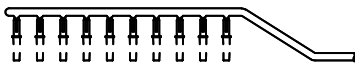
USES RUNNER TYPE 1 ONLY AND  
AVAILABLE WITH OR WITHOUT BOSS  
(FITS CONNECTOR HOUSING  
6442)



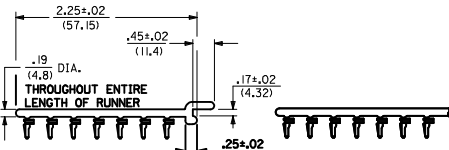
VERSION B

USES RUNNER TYPES 2 & 3 ONLY  
AND HAS NO BOSS (USED WITH CONNECTORS:  
7793, 7935)

CHAIN FORM



TYPE 1 (10 TOTAL)



TYPE 2 (7 TOTAL)

TYPE 3 (7 TOTAL)

PARTS MUST BE ORIENTED ON RUNNER AS SHOWN ABOVE

REMOVE TYPE 4 EC NO: UCP2012-3918 DRAWN BY: DRW/MSTROH 2012/05/31 CHKD/HK/PPER 2012/06/01 APPR:FSM/TH 2012/06/07	QUALITY SYMBOLS	GENERAL TOLERANCES (UNLESS SPECIFIED)	DIMENSION STYLE	SCALE	DESIGN UNITS	THIRD ANGLE PROJECTION
	▽=0	mm INCH	IN/MM	20:1	INCH	☉
	▽=0	4 PLACES ± --- ± ---	DRAWN BY: COMSTOCK	DATE: 1989/03/01	TITLE: POLARIZING KEY, PEG	156 SPACING FOR 6442, 7793, 7935
	▽=0	3 PLACES ± --- ± .010	CHECKED BY: EDGELY	DATE: 1989/03/01	DOCUMENT NO. SD-7580-*	
▽=0	2 PLACES ± 0.25 ± .014	MATERIAL NO. SEE CHART	APPROVED BY: _____	DATE: _____	SHEET NO. 1 OF 1	
	1 PLACE ± 0.36 ± ---	ANGULAR ±1/2°				
	0 PLACE ± ±	DRAFT WHERE APPLICABLE MUST REMAIN WITHIN DIMENSIONS				

## X-ON Electronics

Largest Supplier of Electrical and Electronic Components

*Click to view similar products for [Headers & Wire Housings](#) category:*

*Click to view products by [Molex](#) manufacturer:*

Other Similar products are found below :

[95000-104TRLF](#) [10135584-644402LF](#) [DF62W-EP2022PCA](#) [95000-106TRLF](#) [DF62W-2022SCA](#) [DF62W-EP2022PC](#) [2203348](#) [DF62W-2022SC](#) [1084018](#) [1029039](#) [1084017](#) [802-10-012-10-002000](#) [1112640](#) [1112639](#) [000-34000](#) [0008550134](#) [0009482033](#) [0009507031](#) [57102-F02-18ULF](#) [57102-S06-03LF](#) [57202-S52-04LF](#) [PCN6-15S-2.5E](#) [0039019024](#) [58102-G61-06LF](#) [582553-1](#) [0009485154](#) [0009508121](#) [009176003701906](#) [0022285053](#) [0050291907](#) [018731A](#) [LY20-4P-DT1-P1E-BR](#) [02.125.8002.8](#) [60101931](#) [60598-1 \(Cut Strip\)](#) [M1625-3R/100](#) [61062-3](#) [61082-181009](#) [CSU011177004](#) [636-1427](#) [638009-1](#) [641938-9](#) [641991-4](#) [644168-1](#) [644827-2](#) [647662-1](#) [65039-019ELF](#) [65692-001LF](#) [65781-018](#) [65781-047](#)