

AT-CUT CRYSTAL UNIT (SMD • Metal-can Type)

RoHS Compliant Optional

HCM49

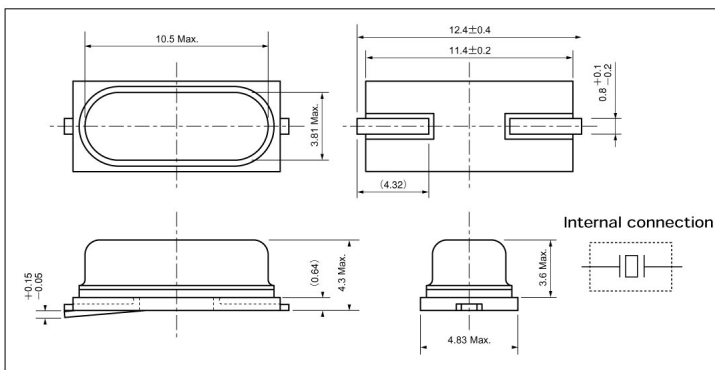
1000pcs/reel



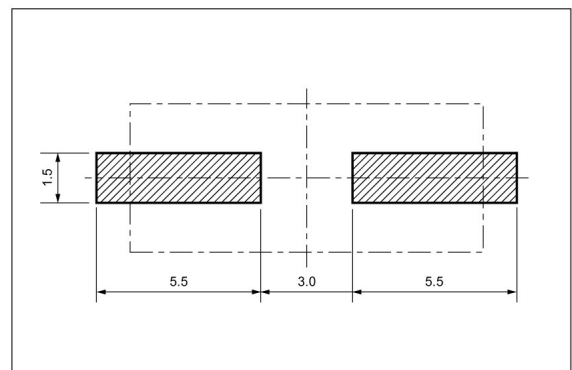
FEATURES

- Surface mount type of metal-can HC-49/U-S. High performance with the resistance weld sealing.
- Automatic mounting and reflowable Type.
- Suitable for various applications such as communication devices, AV devices, automotive devices and measuring instruments.

DIMENSION [mm]



SOLDER PAD LAYOUT [mm]



STANDARD SPECIFICATIONS

| Item | Model | HCM49 | Conditions |
|--|-------------------|----------------------------------|--|
| Nominal Frequency | f ₀ | 3.5MHz~30.0MHz (Fundamental) | Need to contact us for the available frequency |
| | | 30.001MHz~50.0MHz (3rd Overtone) | |
| Frequency Tolerance | Δf/f ₀ | ±30ppm | at 25°C |
| Frequency Tolerance over Operating Temperature Range | Δf/f ₀ | ±50ppm | -10°C ~ +60°C |
| Operating Temperature Range | T _{OPR} | -40°C ~ +85°C | |
| Storage Temperature Range | T _{STR} | -55°C ~ +125°C | |
| Motional (series) resistance | R ₁ | Refer to the following table | at 25°C |
| Load capacitance | C _L | 18.0pF | Need to specify your requirement |
| Shunt capacitance | C ₀ | 7.0pF Max. | |
| Level of drive | DL | 100 μW Max. | |
| Insulation Resistance | I _R | 500MΩ Min. | DC100V±15V |
| Aging (first year) | Δf/f ₀ | ±5ppm Max. | 25°C±3°C |

MOTIONAL (SERIES) RESISTANCE (R₁)

| Frequency Range | 3.5MHz ≤ f ₀ < 4.0MHz | 4.0MHz ≤ f ₀ < 6.0MHz | 6.0MHz ≤ f ₀ < 10MHz | 10MHz ≤ f ₀ < 14MHz | 14MHz ≤ f ₀ < 30MHz | 30MHz ≤ f ₀ < 36MHz | 36MHz ≤ f ₀ ≤ 50MHz |
|-----------------|----------------------------------|----------------------------------|---------------------------------|--------------------------------|--------------------------------|--------------------------------|--------------------------------|
| Mode | Fundamental | Fundamental | Fundamental | Fundamental | Fundamental | 3rd Overtone | 3rd Overtone |
| R ₁ | 200Ω Max. | 150Ω Max. | 100Ω Max. | 80Ω Max. | 50Ω Max. | 140Ω Max. | 100Ω Max. |

X-ON Electronics

Largest Supplier of Electrical and Electronic Components

Click to view similar products for [Crystals](#) category:

Click to view products by [CITIZEN](#) manufacturer:

Other Similar products are found below :

[CS325S24000000ABJT](#) [718-13.2-1](#) [MC405 32.0000K-R3:PURE SN](#) [FC-135R 32.7680KF-A3](#) [7A-40.000MAAE-T](#) [7B-27.000MBBK-T](#)
[FL2000085](#) [9B-15.360MBBK-B](#) [9C-7.680MBBK-T](#) [ASH7K-32.768KHZ](#) [AT-41.600MAGQ-T](#) [BTD1062E05A-513](#) [LFX TAL066198Cutt](#)
[9C-14.31818MBBK-T](#) [FA-238 50.0000MB30X-K3](#) [FC-12M 32.7680KA-AC3](#) [SSPT7F-9PF20-R](#) [FX325BS-38.88EEM1201](#)
[LFX TAL065253Cutt](#) [LFX TAL066431Cutt](#) [XT9S20ANA14M7456](#) [XT9SNLANA16M](#) [646G-24-2](#) [7A-24.576MBBK-T](#) [7B-30.000MBBK-T](#)
[WX26-32.768K-6PF](#) [9B-14.31818MBBK-B](#) [CD1AM](#) [7B-25.000MAAE-T](#) [7A-14.31818MBBK-T](#) [6504-202-1501](#) [6526-202-1501](#) [FA-118T](#)
[27.1200MB50P-K0](#) [FC-135R 32.7680KA-A3](#) [ABM12-104-37.400MHZT](#) [ABLS-10.000MHZ-D3W-T](#) [BTJ112E01E-513](#) [BTJ722K01C-7067](#)
[BTL-20-513](#) [TSX-3225 24.0000MF15X-AC](#) [TSX-3225 16.0000MF18X-AC](#) [BTJ120E02C](#) [BTL-12-513](#) [7A-10.000MBBK-T](#) [7A-](#)
[11.0592MBBK-T](#) [ABM12-103-24.000MHZT](#) [CS325S25000000ABJT](#) [ABM3B-25.000MHZ-B2-X-T](#) [FC-135 32.7680KA-A5](#) [FX0800015](#)