



Scotch-Weld™

EPX™ Pneumatic 200mL Applicator System 62-9140-9930-4

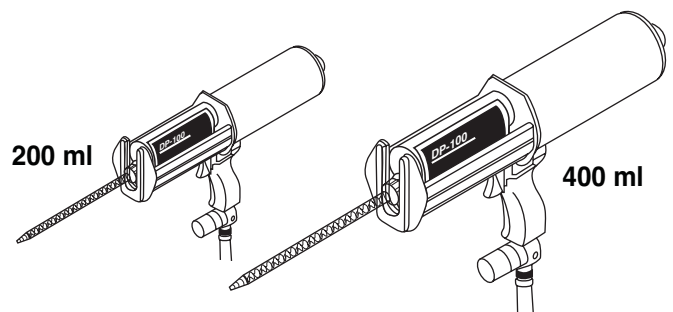
EPX™ Pneumatic 400mL Applicator System 62-9145-9930-3

Directions for Use

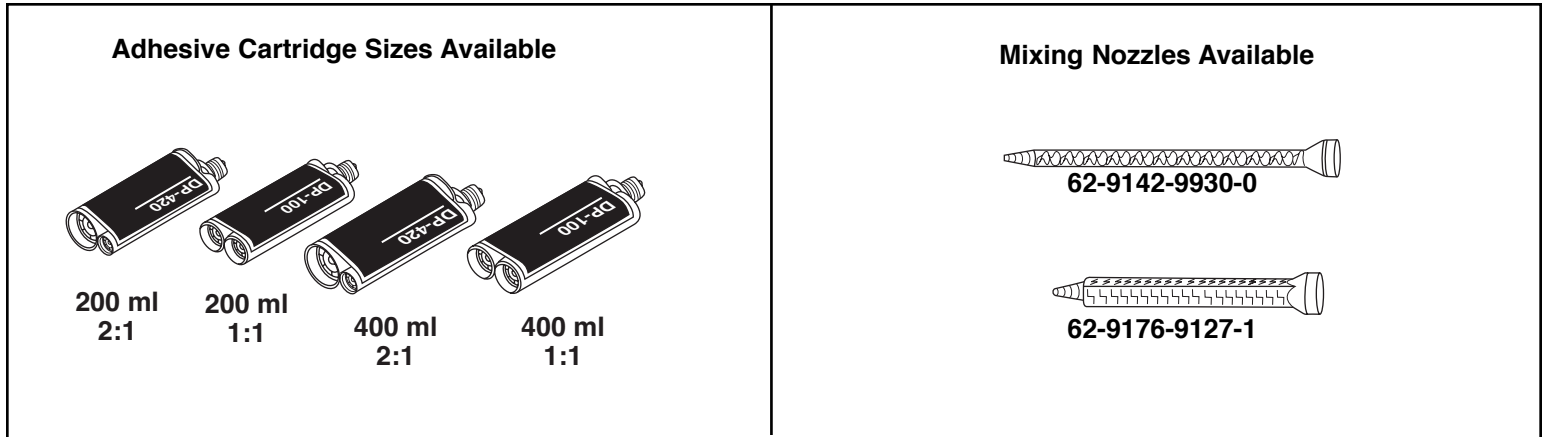
<p>To Attach Mixing Nozzle</p> <p>1 Squeeze 2 3 4 5</p>	<p>To Load Duo-Pak Adhesive Cartridge</p> <p>1:1 2:1 6</p> <p>For 2:1 cartridge, insert smaller reservoir down</p>
<p>To Apply Adhesive</p> <p>7</p>	<p>To Adjust Adhesive Material Flow</p> <p>400mL max. PSI-73 200mL max. PSI-73</p>
<p>To Retract Pistons</p> <p>8</p>	<p>To Remove Duo-Pak Adhesive Cartridge</p> <p>9 10</p>

To Increase Adhesive Bead Size

To Increase Adhesive Bead Size



(over)



IMPORTANT NOTICE: User is responsible for determining whether the 3M™ Scotch-Weld™ Adhesive Applicator is fit for a particular purpose and suitable for user’s method of application.

WARRANTY: 3M warrants for 12 months from the date of purchase or use, whichever occurs first, that the 3M Scotch-Weld Adhesive Applicator will be free of defects in material and manufacture. 3M MAKES NO OTHER WARRANTIES, EXPRESS OR IMPLIED, INCLUDING, BUT NOT LIMITED TO, ANY IMPLIED WARRANTY OF MERCHANTABILITY OR FITNESS FOR A PARTICULAR PURPOSE. This warranty does not cover routine maintenance, normal wear and tear, or damage resulting from accident, misuse, alteration, corrosion, lack of reasonable care, service provided by an unauthorized repair service, use of unauthorized replacement parts or accessories, use, installation, operation, or maintenance not in accordance with 3M recommended procedures, or use of adhesive cartridges not manufactured by 3M or not subject to 3M quality standards.

LIMITATION OF REMEDIES AND LIABILITY: If the 3M Scotch-Weld Adhesive Applicator is proved to be defective within the warranty period, THE EXCLUSIVE REMEDY AT 3M’S OPTION, SHALL BE TO REFUND THE PURCHASE PRICE OF OR TO REPAIR OR REPLACE THE DEFECTIVE 3M APPLICATOR, provided that the defective 3M applicator, at 3M’s choice, is returned immediately to 3M or an authorized service representative designated by 3M, transportation and other expenses prepaid, or made available at user’s premises in a location suitable for servicing. 3M shall not otherwise be liable for any loss or damages, whether direct, indirect, special, incidental, or consequential, regardless of the legal theory asserted, including negligence, contract, warranty, or strict liability.



St. Paul, MN 55144-1000
 1-800-364-3577 or 651-737-6501
www.3M.com/adhesives

Printed in U.S.A.
 © 3M 2006 All rights reserved.
 38-9019-0997-8

X-ON Electronics

Largest Supplier of Electrical and Electronic Components

Click to view similar products for [Circuit Board Hardware - PCB category](#):

Click to view products by [3M manufacturer](#):

Other Similar products are found below :

[8919-0-00-15-00-00-03-0](#) [0132-0-15-01-30-27-04-0](#) [0135-0-15-01-30-27-04-0](#) [5970-1-15-01-32-14-04-0](#) [0132-0-15-15-30-27-04-0](#) [0135-0-15-15-30-27-04-0](#) [0149-0-15-15-30-27-04-0](#) [MBI 1 BLUE](#) [7305-0-15-15-47-14-10-0](#) [MKU 1 BLACK](#) [MLN 150/1 BLACK](#) [8579-0-15-80-11-27-10-0](#) [8579-1-15-15-11-27-10-0](#) [8637-0-15-15-21-14-10-0](#) [8830-0-15-01-22-14-10-0](#) [8836-0-00-21-00-00-03-0](#) [PRUEF 2 RED](#) [9976-0-00-00-00-00-03-0](#) [1178-0-01-80-00-00-03-0](#) [PW1616](#) [1215-3-05-00-00-00-01-0](#) [1303-0-15-15-47-14-04-0](#) [1404-3](#) [1404-4](#) [1406-4](#) [1407-3](#) [1406-3](#) [1407-4](#) [1408-3](#) [1424-4](#) [1426-3](#) [1427-3](#) [1427-4](#) [1428-3](#) [1419-4](#) [1424-3](#) [1426-4](#) [1428-4](#) [MPS 1 BLACK](#) [1520150-1](#) [1548-103](#) [1801-0-15-15-30-27-04-0](#) [1938-0-00-00-00-00-03-0](#) [1942-0-00-00-00-00-03-0](#) [2101-3-00-44-00-00-07-0](#) [2104-2-01-44-00-00-07-0](#) [2108-2-00-50-00-00-07-0](#) [2108-3-00-44-00-00-07-0](#) [2109-2-00-44-00-00-07-0](#) [2110-2-00-44-00-00-07-0](#)