

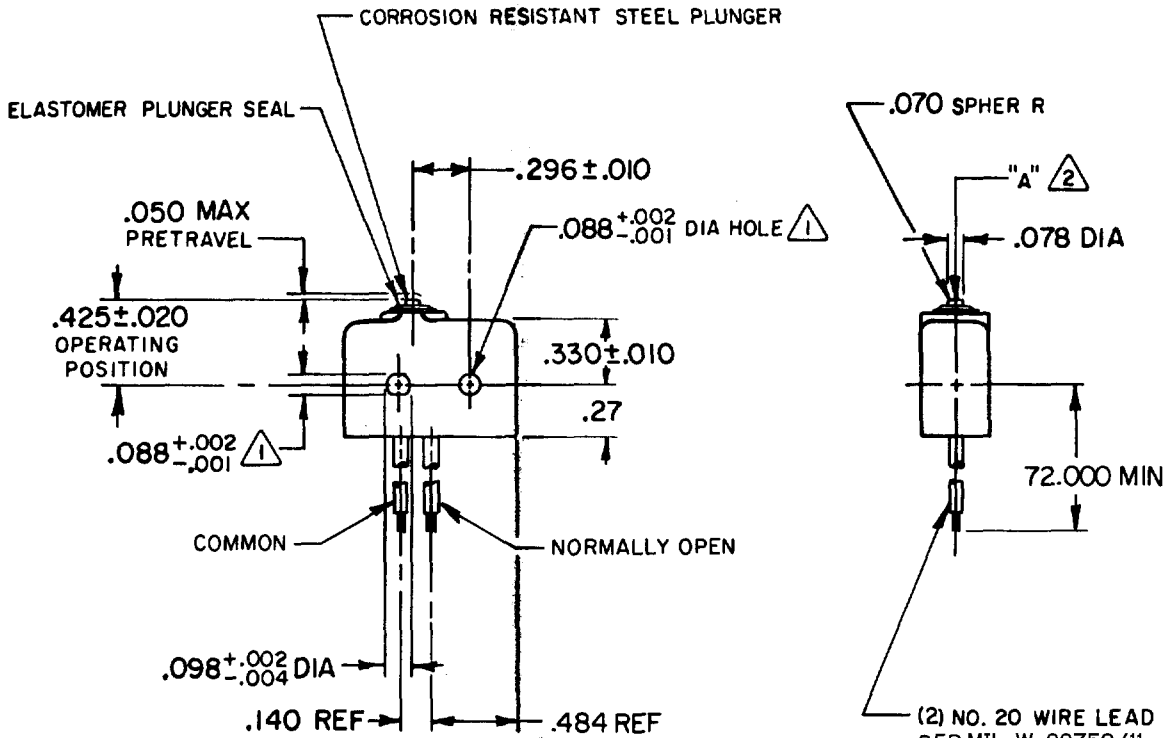
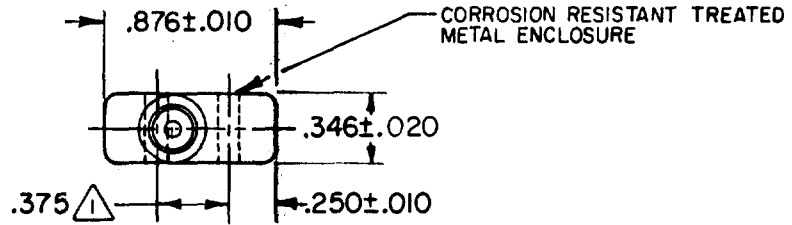
MICRO SWITCH

FREEPORT ILLINOIS, U.S.A
A DIVISION OF HONEYWELL
FED. MFG. CODE 91929

SWITCH - BASIC

CATALOG LISTING

ISE3-6



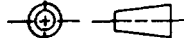
(2) NO. 20 WIRE LEAD
PER MIL-W-22759/11
EMBEDDED IN EPOXY
CASTING RESIN

NOTES

- ① MOUNTING HOLES WILL ACCEPT .087 MAX DIA PINS OR SCREWS ON .375±.002 CENTERS
- ② ACTUATION IN LINE WITH ARROW "A" IS RECOMMENDED
- ③ WEIGHT OF SWITCH ONLY IS .26 OZ MAX.
WEIGHT OF SWITCH WITH WIRE LEADS IS 1.72 OZ MAX

THIS DRAWING COVERS A PROPRIETARY ITEM AND IS THE PROPERTY OF MICRO SWITCH, A DIVISION OF HONEYWELL. THIS DRAWING IS NOT TO BE COPIED OR USED WITHOUT THE APPROVAL OF MICRO SWITCH.

THIRD ANGLE PROJECTION



CHARACTERISTICS

OPERATING FORCE ----- 5-17 OZ
RELEASE FORCE ----- 4 OZ MIN
RELEASE TRAVEL ----- .004 MIN
DIFFERENTIAL TRAVEL ----- .004 MAX
OVERTRAVEL ----- .003 MIN

ELECTRICAL DATA

CONTACT ARRANGEMENT
S P N O
250 VAC ----- 5 AMP
30 VOLTS DC RATING
INDUCTIVE ----- SEA LEVEL --- 3 AMP
50,000 FT --- 2.5 AMP
RESISTIVE ----- SEA LEVEL --- 6 AMP
50,000 FT --- 5 AMP
MAXIMUM INRUSH ----- 24 AMP

SCALE FULL

DO NOT SCALE PRINT

TOLERANCES
APPLY TO DESIGN UNITS. CONVERSIONS ARE ONLY FOR REFERENCE. UNLESS NOTED, TOLERANCES ARE ±

	DIM. mm	TOL. mm/in	DIM. in	TOL. mm/in
NO PLACES	X	17.04	X	0.07/03
ONE PLACE	X,X	0.47/016	X,X	0.38/016
TWO PLACES	X,X,X	0.16/008	X,X,X	0.13/008
THREE PLACES	X,X,X,X		X,X,X,X	
ANGLES				

DESIGN UNITS SI METRIC US CUSTOMARY

WEIGHT ③

ISE3-6

PAGE 1 OF 1

M

DRAWING NUMBER

10

ISSUE

11

REPLACES

RELEASE NO.

CHECK

REVISIONS

A	CO-51463	KAG	23 JUL 82
B	CO57041A	CJH	21 MAR 85
C	CO94274	DLM	MAR 99

CHECK

5 AUG 82

5 AUG 82

5 AUG 82

5 AUG 82

5 AUG 82

5 AUG 82

5 AUG 82

FORMTEK

FO-52848-A

DRAWN

KAG

23 JUL 82

X-ON Electronics

Largest Supplier of Electrical and Electronic Components

Click to view similar products for [Basic / Snap Action Switches](#) category:

Click to view products by [Honeywell](#) manufacturer:

Other Similar products are found below :

[83228001](#) [01.098.1358.1](#) [602EN1-6B](#) [602EN532](#) [602EN535-RB](#) [602HE5-RB1](#) [604HE162](#) [604HE223-6B](#) [624HE17-RB](#) [6HM89](#) [6PA78-JM](#)
[6SE1](#) [6SX1-H58](#) [70500840](#) [MBD5B1](#) [MBH2731](#) [73-316-0012](#) [79211759](#) [79211923](#) [79218589](#) [7AS12](#) [ML-1155](#) [ML-1376](#) [831010C3.0](#)
[831060C3.TL](#) [831090C2.EL](#) [83131904](#) [84212012](#) [8AS239](#) [8HM73-3](#) [903VB1-PG](#) [914CE1-6G](#) [PL-100](#) [11SM1077-H4](#) [11SM1077-H58](#)
[11SM1-TN107](#) [11SM405](#) [11SM703-T](#) [11SM8423-H2](#) [11SX37-T](#) [11SX48-H58](#) [11SX55-H58](#) [11SM2442-T](#) [11SM76-T](#) [11SM77-H58](#)
[11SM77-T](#) [11SM863-T](#) [11SM866](#) [11SX47-H58](#) [A7CN-1M-1-LEFT](#)