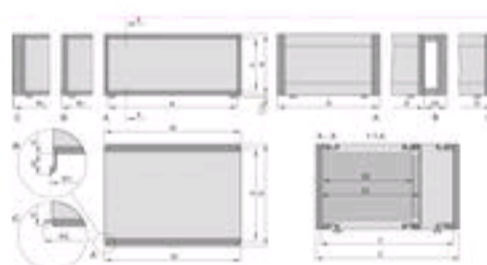
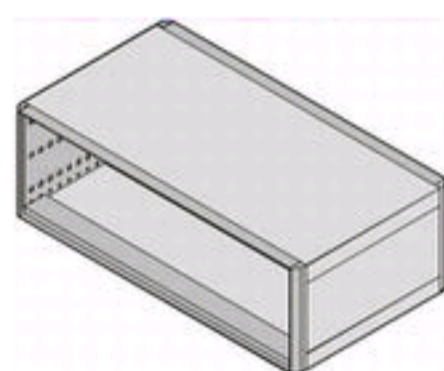
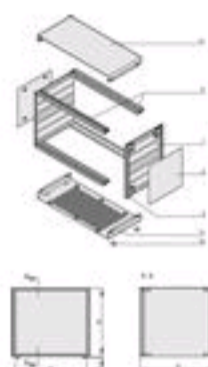


## ratiopacPRO cases



Photo shows case with 19" brackets, 3 U, 84 HP, 315 mm deep



ratiopacPRO with A - cover; B - front handle; C - 19" mounting bracket

## Dimensions table ratiopacPRO

Height		Width				
H	h	w	W	w1	w2	w
in	in	in	in	in	in	in
U	mm	mm	HP	mm	mm	mm

3 132,55 112,35 84 448,90 462,10 482,60 427,30

Components mountable in 15 mm depth grid

Depth			
D	d	D1	d2
Total depth	Useable depth	Plug-in depth	Board depth
in mm	in mm	in mm	in mm
435,5	415,5	175,5	160
435,5	415,5	235,5	220
435,5	415,5	295,5	280
435,5	415,5	355,5	340

Part no.: 24571-043

## Features:

- The space-optimised version, interior and exterior dimensions correspond to a 19" subrack
- With front trim

Add to basket



## Technical Information:

Description	Height	Width W	Width W	Depth D
With front trim	3 U	84 HP	448.9 mm	435.5 mm

## Downloads:

CAD-Data in DWG DXF and PDF format ([Log in](#) required)

CAD-Data in STEP-3D format ([Log in](#) required)

User Manual ([Log in](#) required)

User Manual ([Log in](#) required)

**Dimensional drawings**

EMC test report (PDF) ([Log in](#) required)

General accreditation for the Russian market (PDF) ([Log in](#) required)

To gain access to the additional information you must [log in](#).

If you do not yet have a user name, you may [register here](#).

## Delivery comprises: (kit)

Item	Qty	Description
1	2	Side panel, Al, clear chromate
2	2	Side panel, Al, visible surface powder-coated, RAL 9006
3	2	Rear trim, diecast zinc, powder-coated, RAL 7016
3a	2	Front trim, diecast zinc, powder-coated, RAL 7016
4	4	Horizontal rail, Al, visible surface powder-coated, RAL 7016
11	2	Top cover and base plate, Al, internal surface conductive, visible surface powder-coated, RAL 9006, with GND/earthing connection, base plate with vent slots
12	4	Case foot, PC, black, with anti-slip protection
13	1	Assembly kit

## Note:

- Dimensions marked with "-" are available on request, as well as other widths and depths

## X-ON Electronics

Largest Supplier of Electrical and Electronic Components

*Click to view similar products for [Enclosures, Boxes, & Cases](#) category:*

*Click to view products by [Schroff](#) manufacturer:*

Other Similar products are found below :

[CR-425 PAINTED](#) [585-R-WH-PK](#) [M-10-PLATED](#) [60221-01](#) [60566-01-000](#) [HPL-9VB BATT DOOR](#) [M-16-LID-PLATED](#) [M18-PLTD](#) [M-21-LID-PLATED](#) [M-21-PLATED](#) [M-23-PLATED](#) [CU-281-MB](#) [6711GSKT](#) [71884-29-028](#) [LH45-100 Black](#) [7200B](#) [72868-510-000](#) [CNS-0000 Black](#) [72883-510-000](#) [CNS-0101 Black](#) [72906-510-000](#) [CNS-0407 Black](#) [73091-510-000](#) [CNM-0000-BLACK Kit](#) [73092-510-000](#) [CNM-0101 Black](#) [73108-510-000](#) [CNL-0303 Black](#) [73395-510-039](#) [CNS-0006 Bone](#) [74257-510-000](#) [CNL-0004](#) [MDC-1183-PLAIN-ALUM](#) [MDC-1183-PTD](#) [MDC-13104-PLAIN-ALUM](#) [MDC-211 - PAINTED IVORY/BEIGE](#) [MDC-321-PTD](#) [MDC-432-PLAIN-ALUM](#) [MDC-973-PTD](#) [76](#) [77153-01-028](#) [FLX6030](#) [83535-01-508](#) [PS-11296-G](#) [PS-11298-B](#) [116-508](#) [120-407](#) [120-412](#) [120-909](#) [120-455](#) [R272-100-000](#) [120-910](#) [R501-001-010](#) [R508-080-000](#) [R508-160-000](#) [R530-120-000](#) [R530-122-000](#) [R530-200-000](#) [R531-160-000](#) [R531-200-000](#) [R582-080-100](#)