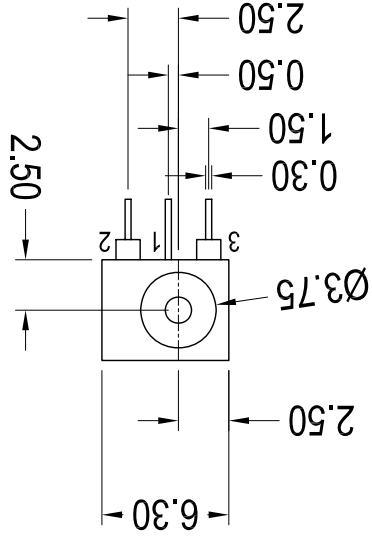
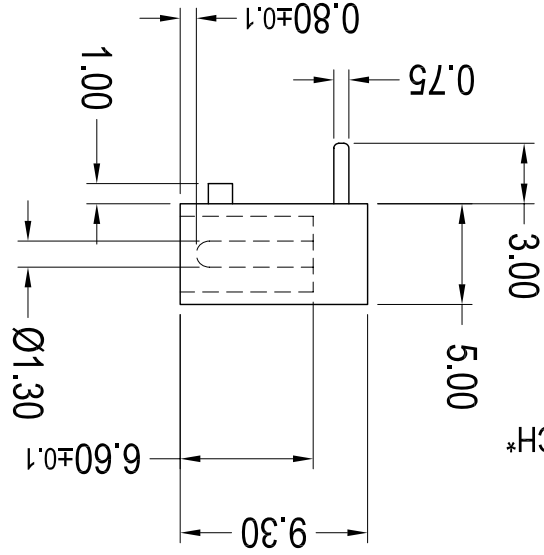
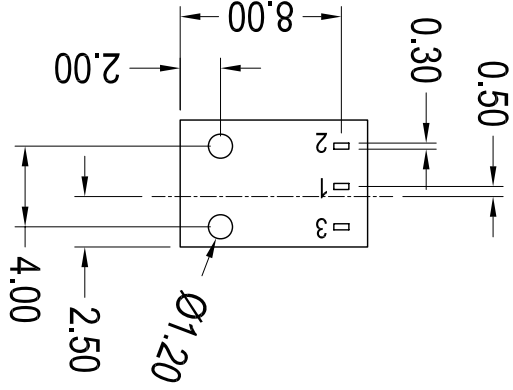
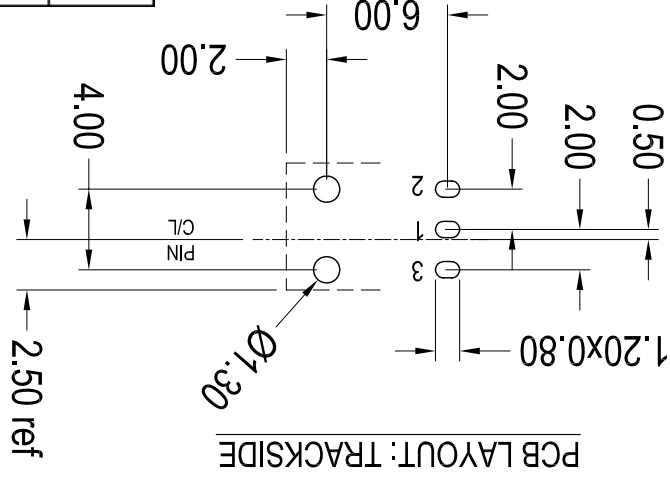
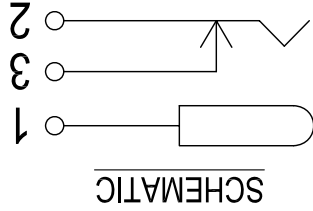


NOTE:

THIS PART IS SIMILAR TO FC68145 - DC8  
 \*BUT PIN ORIENTATION AND PCB LAYOUTS DO NOT MATCH\*



ITEM	DESCRIPTION	QTY	MATERIAL	FINISH
1	Ø1.3 PIN	1	0.3T BRASS	SILVER PLATED
2	SLEEVE SPRING	1	0.3T BERYLLIUM	SILVER PLATED
3	PIN TERMINAL	1	0.3T BRASS	SILVER PLATED
4	HOUSING + COVER	1	PBT	BLACK

**Cliff Electronic Components Ltd.**  
 76 Holmechrope Avenue, Holmechrope Industrial Estate,  
 Redhill, Surrey, RH1 2PF, England, UK  
 Tel: 01737-771375 Fax: 01737-766012 Website: www.cliffuk.co.uk

THE CONTENTS OF THIS DOCUMENT MUST NOT BE COPIED OR DISCLOSED  
 TO A 3rd PARTY WITHOUT WRITTEN PERMISSION OF CLIFF UK. © 2010

DRAWN: T.J.O.

APPROVED: D.P.J.

DRWG. No.

**FC681455**

FORM: A4DRWGH

FINISH: AS MOULDED / MICROFINISH

MATERIAL: SEE TABLE

TITLE: NARROW DC POWER SOCKET (1.3mm PIN)

3rd ANGLE PROJECTION:

DO NOT SCALE

TOLERANCE  
 NO DEC. PLACE ±  
 1 DEC. PLACE ±  
 2 DEC. PLACE ±  
 HOLE Ø ±  
 ANGLES ±  
 UNLESS OTHERWISE STATED



SPECIFICATIONS

a) CONTACT RESISTANCE: 30mΩ max

b) INSULATION RESISTANCE: 100MΩ min @ DC 500V

c) DIELECTRIC WITHSTANDING VOLTAGE: AC 500V for 1minute

ISS.

AMEND

DATE

1

1st DRAWN

17/02/10

## **X-ON Electronics**

Largest Supplier of Electrical and Electronic Components

*Click to view similar products for [cliff](#) manufacturer:*

Other Similar products are found below :

[SRP1 BLACK](#) [CL1423](#) [CL1432](#) [CL159825BA](#) [CL19192RB](#) [CL2160B TP/6 CS](#) [CL-SFE/1 FILTERS](#) [HFRP-01](#) [S2/BBB \(CL1220A\)](#)  
[CIH206011](#) [CL14218](#) [CP30117](#) [CP30214M](#) [FM686813](#) [CL11607](#) [CL12345](#) [CL1308G](#) [CL13106G](#) [CP22R](#) [CP30152](#) [CP30211](#) [CP303011X](#)  
[CL1406](#) [CL15501A](#) [CL1572](#) [CL681561](#) [CP30173](#) [CP30176](#) [CP30178](#) [CP30179](#) [CP30180](#) [CP30500C](#) [CP30202M3](#) [FCR1295](#) [FCR2065](#)  
[FCR7360B](#) [FM686816](#) [CIH29950](#) [CP30225SM](#) [CP30170](#) [CP30174](#) [CIH684216](#) [FW6190](#) [CP30182](#) [CP30184](#) [CP30202M](#) [CIH3021](#)  
[CP30208NMB](#) [CP30222SMB](#) [CP30230X](#)