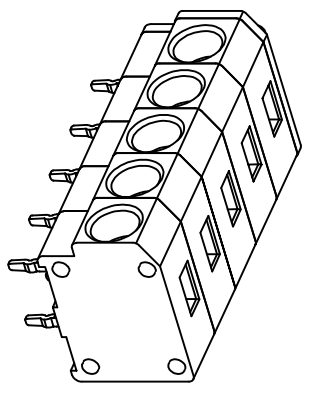
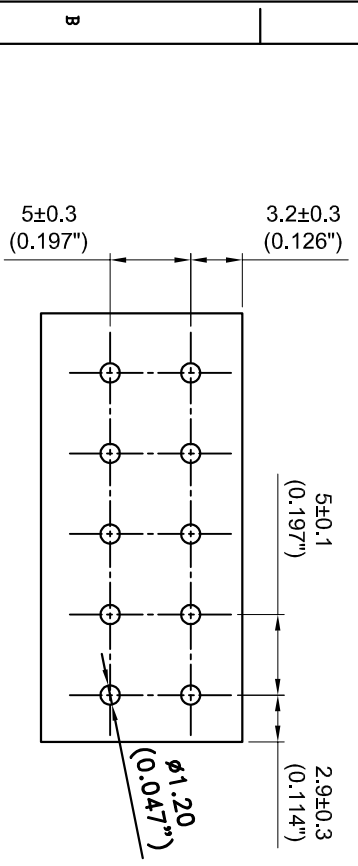
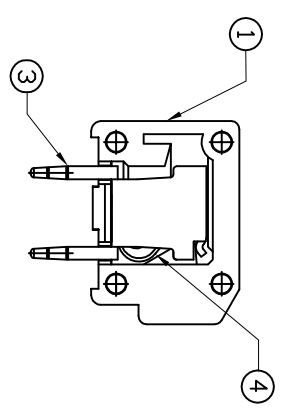
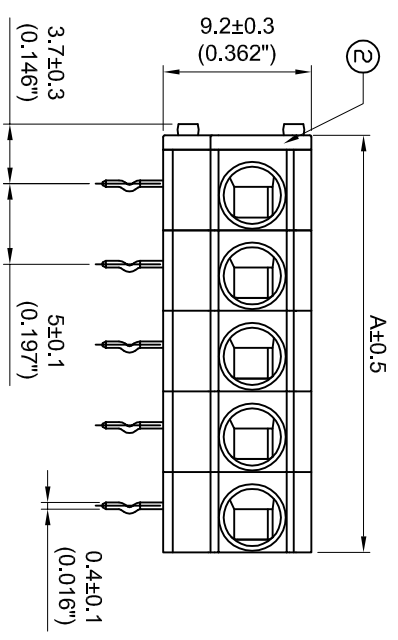
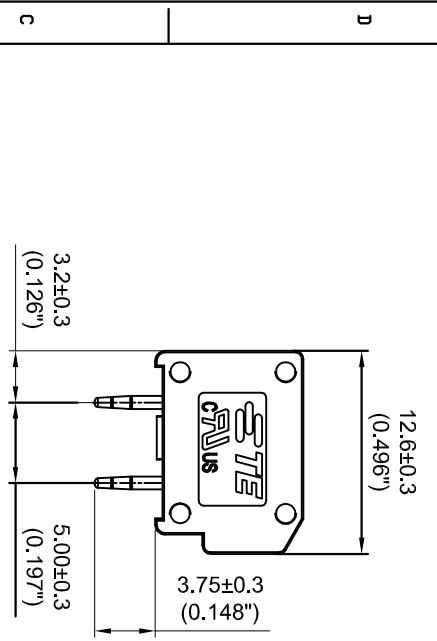


REV. NO.	DATE	BY	APP'D
1			

REV. NO.	DESCRIPTION	DATE	BY	APP'D
1				



NO. OF POSN	PART NO
1	2834097-1
2	2834097-2
3	2834097-3
4	2834097-4
5	2834097-5
6	2834097-6
7	2834097-7
8	2834097-8

- NOTES :
- 1. MATERIALS AND FINISH:
    - HOUSING: PA66
    - CONTACTS: COPPER, FINISH: TIN OVER NICKEL UNDERPLATE
  - 2. MUST COMPLY WITH DIRECTIVE 2002/95/EC (ROHS)
  - 3. WIRE TYPES AND SIZES ACCEPTED
    - WIRE RANGE: 14AWG~20AWG.
    - STRIP LENGTH: 9.0mm~10.0mm
  - 4. PACKAGED IN TRAY.
  - 5. CURRENT RATING: 10Amp AC300V.
  - 6. OPERATION TEMPERATURE: -40°C TO +105°C
  - 7. THIS PART NO. IS THE SAME STRUCTURE AS THE SERIES: 2834097
- THE DATASHEET AND MORE DETAILS PLEASE FOLLOW THE SERIES: 2834097

THIS DRAWING IS A CONTROLLED DOCUMENT.

REVISIONS	DATE	BY	APP'D
1			

DESCRIPTION	DATE	BY	APP'D
5.0 Horizontal Entry Screwless Connector			

REV. NO.	DATE	BY	APP'D
1			

REV. NO.	DESCRIPTION	DATE	BY	APP'D
1				

GEORGE EU 02DEC2015  
SIL MING 02DEC2015

108-137147  
114-137147

SIZE 1 CODE CODE DRAWING NO C-2834097

SCALE 1:1 SHEET 1 OF 1 REV A

## **X-ON Electronics**

Largest Supplier of Electrical and Electronic Components

*Click to view similar products for [Fixed Terminal Blocks](#) category:*

*Click to view products by [TE Connectivity](#) manufacturer:*

Other Similar products are found below :

[00175550202](#) [MBE-1512](#) [MBE-1520](#) [MBE-154](#) [MBE-156](#) [MBES-1510](#) [MBES-153](#) [MBES-156](#) [MH-2512](#) [MHE-132](#) [MHE-133](#) [MHE-163](#)  
[MI-254 \(35\)](#) [MI-272](#) [8739](#) [880507](#) [880508](#) [MPT-275](#) [1546551-6](#) [ELM023100](#) [ELM10110G](#) [ELVD12100](#) [BA311TU](#) [BA411SU](#) [MV-152](#)  
[MV-253/NCNOC](#) [MV-254-D](#) [MV-255](#) [MV-462](#) [MV-472](#) [MV-493](#) [MVE-252](#) [MVE-253](#) [MVE-258](#) [MVE-273](#) [MVEB-153](#) [1700096](#)  
[1702246](#) [1705142](#) [1712417](#) [1713020](#) [1713088](#) [1776118-2](#) [1790852](#) [1-796689-8](#) [1-796692-6](#) [1800001](#) [1800114](#) [1823215](#) [1838462](#)