

PLEASE CHECK WWW.MOLEX.COM FOR LATEST PART INFORMATION

Part Number: **0351503419**

Status: **Active**

Overview: VersaBlade™ Wire-to-Wire Connector System

Description: Wire-to-Wire VersaBlade™ Hybrid Plug Housing, with Mounting Ears, 4 Circuits, Polyester Carbonate UL94V-0, Natural, Glow Wire Compatible

Documents:

[3D Model](#)

[Drawing \(PDF\)](#)

[Packaging Specification PK-35150-004 \(PDF\)](#)

[RoHS Certificate of Compliance \(PDF\)](#)

Agency Certification

CSA LR19980

UL E29179

General

Product Family Crimp Housings

Series 35150

Application Power, Wire-to-Wire

Comments Polarized to Mating Part, Positive Lock<P><P>This Molex product is manufactured from material that has the following ratings, tested by independent agencies :.
a) A Glow Wire Ignition Temperature (GWIT) of at least 775 deg C per IEC 60695-2-13.. b) A G

Overview VersaBlade™ Wire-to-Wire Connector System

Product Name VersaBlade™

UPC 822350766760

Physical

Breakaway No

Circuits (maximum) 4

Color - Resin Yellow

Flammability 94V-0

Gender Male

Glow-Wire Compliant Yes

Keying to Mating Part None

Lock to Mating Part Yes

Material - Resin Polyester Alloy

Net Weight 4.933/g

Number of Rows 2

Packaging Type Bag

Panel Mount Yes

Pitch - Mating Interface 6.20mm

Pitch - Termination Interface 6.20mm

Polarized to Mating Part Yes

Ports 1

Stackable No

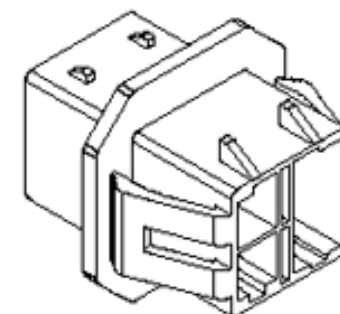
Temperature Range - Operating -40°C to +120°C

Material Info

Reference - Drawing Numbers

Packaging Specification PK-35150-004

Sales Drawing SD-35150-0410



Series image - Reference only

EU ELV

Not Relevant

EU RoHS

Compliant

REACH SVHC

Not Contained Per - ED/39/2015 (15 June 2015)

Halogen-Free

Status

Not Low-Halogen

Need more information on product environmental compliance?

Email productcompliance@molex.com
Please visit the [Contact Us](#) section for any non-product compliance questions.

China ROHS

ELV

Green Image

Not Relevant

Search Parts in this Series

35150 Series

Mates With

35151 Receptacle Housing

Use With

VersaBlade™ Crimp Terminals, 35745 , 35747 , 35746 , 35748 . 35150-0290 TPA™

X-ON Electronics

Largest Supplier of Electrical and Electronic Components

Click to view similar products for [Headers & Wire Housings](#) category:

Click to view products by [Molex](#) manufacturer:

Other Similar products are found below :

[95000-104TRLF](#) [10135584-644402LF](#) [DF62W-EP2022PCA](#) [95000-106TRLF](#) [DF62W-2022SCA](#) [DF62W-EP2022PC](#) [2203348](#) [DF62W-2022SC](#) [1084018](#) [1029039](#) [1084017](#) [802-10-012-10-002000](#) [1112640](#) [1112639](#) [000-34000](#) [0009482033](#) [0009507031](#) [57102-S06-03LF](#) [57202-S52-04LF](#) [PCN6-15S-2.5E](#) [0039019024](#) [58102-G61-06LF](#) [582553-1](#) [0009485154](#) [0009508121](#) [0022285053](#) [0050291907](#) [018731A](#) [LY20-4P-DT1-P1E-BR](#) [02.125.8002.8](#) [60101931](#) [60598-1 \(Cut Strip\)](#) [M1625-3R/100](#) [61062-3](#) [61082-181009](#) [636-1427](#) [638009-1](#) [641938-9](#) [641991-4](#) [644168-1](#) [647662-1](#) [65039-019ELF](#) [65817-002LF](#) [65817-015LF](#) [65863-015LF](#) [66207-023LF](#) [67016-026LF](#) [67046-001LF](#) [67095-007LF](#) [67230-005LF](#)