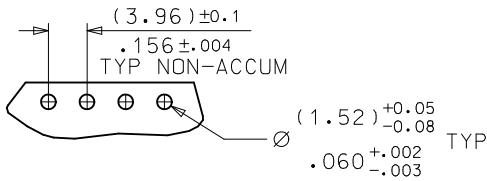
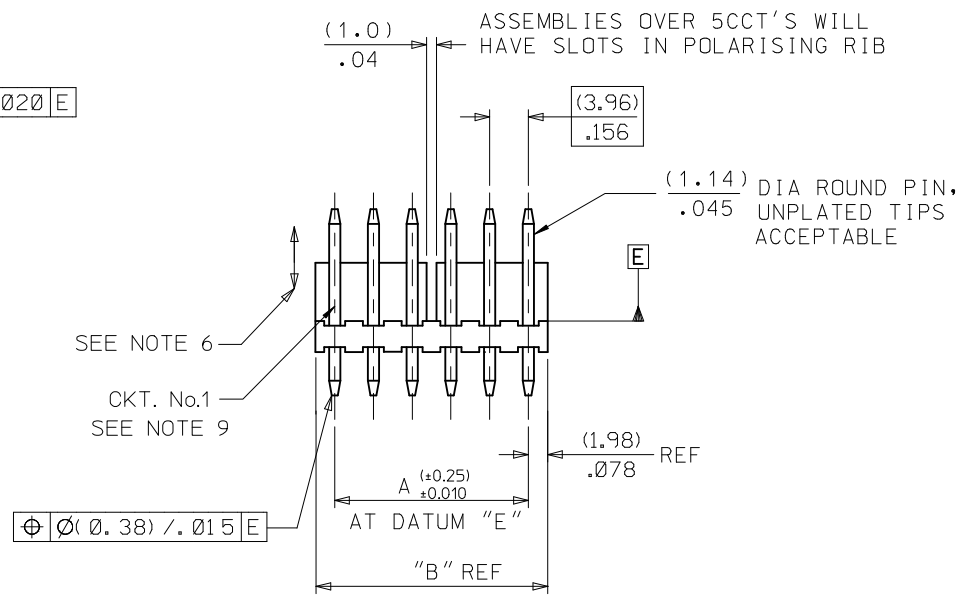
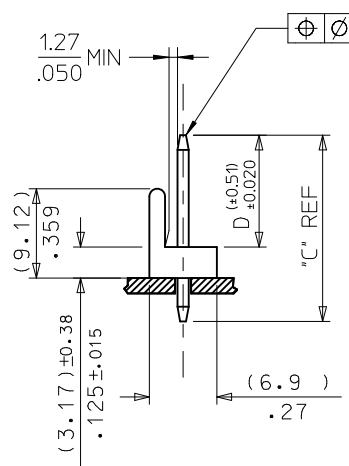


	10	9	8	7	6	5	4	3	2	1
	ENG No:			AE-3190-NA						
	DIM "D"			(11.43) .450						
	DIM "C"			(19.05) .750						
	CCT SIZE	DIM "A"	DIM "B"	PART No						
F	2	(3.96) .156	(7.92) .312	26-19-2021						
	3	(7.92) .312	(11.89) .468	26-19-2031						
E	4	(11.89) .468	(15.85) .624	26-19-2041						
	5	(15.85) .624	(19.81) .780	26-19-2051						
	6	(19.81) .780	(23.77) .936	26-19-2061						
	7	(23.77) .936	(27.74) 1.092	26-19-2071						
D	8	(27.74) 1.092	(31.70) 1.248	26-19-2081						
	9	(31.70) 1.248	(35.66) 1.404	26-19-2091						
	10	(35.66) 1.404	(39.62) 1.560	26-19-2101						
	11	(39.62) 1.560	(43.59) 1.716	26-19-2111						
	12	(43.59) 1.716	(47.55) 1.872	26-19-2121						
C	13	(47.55) 1.872	(51.51) 2.028	26-19-2131						
	14	(51.51) 2.028	(55.47) 2.184	26-19-2141						
	15	(55.47) 2.184	(59.44) 2.340	26-19-2151						
	16	(59.44) 2.340	(63.40) 2.496	26-19-2161						
B	17	(63.40) 2.496	(67.36) 2.652	26-19-2171						
	18	(67.36) 2.652	(71.32) 2.808	26-19-2181						
	19	(71.32) 2.808	(75.29) 2.964	26-19-2191						
A	20	(75.29) 2.964	(79.25) 3.120	26-19-2201						



RECOMMENDED PCB HOLE DIMENSIONS

- NOTES:
1. MATERIAL: HOUSING: NYLON, UL94V-2, COLOR: NATURAL
PINS: BRASS
 2. FINISH: (0.00254)/.000100 MIN. MATTE TIN OVER
(0.00127)/.000050 MIN. NICKEL
UNPLATED TIPS ACCEPTABLE
 3. PRODUCT SPECIFICATION: PS-99020-0087
 4. PACKAGING SPECIFICATION: PER PK-3190-001
 5. THIS PART CONFORMS TO CLASS B REQUIREMENTS OF
COSMETIC SPECIFICATION PS-45499-002.
 6. PIN PUSHOUT FORCE 3 LBS MIN.
 7. PIN MUST CONFORM TO MOLEX SOLDERABILITY SPEC
SMES-152 AFTER PLATING.
 8. RECOMMENDED PCB BOARD 1.6MM
 9. CIRCUIT 1 USED TO DEFINE VOID LOCATION. CIRCUIT 1
MAY OR MAY NOT ALIGN WITH CIRCUIT 1 OF THE MATING PART.

REVISE NOTE 2 EC NO: UCP2012-1821 DRAWN:MMSTROH 2011/11/29 CHKD:HKIPPER 2011/12/02 APPR:FSMITH 2012/02/02 REV AD	QUALITY SYMBOLS	GENERAL TOLERANCES (UNLESS SPECIFIED)	DIMENSION STYLE	SCALE	DESIGN UNITS	THIRD ANGLE PROJECTION	
	▽Z=0	mm INCH	MM/IN	2:1	METRIC	⊙	
	▽E=0	4 PLACES ± --- ± ---	DRAWN BY DATE	T. MOHON 1998/10/02	TITLE		WAFER POL KK .156 FOR .045 ROUND PINS
	▽E=0	3 PLACES ± --- ± .010	CHECKED BY DATE	M. GOONEY 1998/10/02	MATERIAL NO.		SDAE-3190-N**
	2 PLACES ± 0.25 ± .014	APPROVED BY DATE	MWILHITE 1998/10/02	DOCUMENT NO.		1 OF 2	
	1 PLACE ± 0.35 ± ---	ANGULAR ± 1/2°		MATERIAL NO.			
		DRAFT WHERE APPLICABLE MUST REMAIN WITHIN DIMENSIONS		SEE CHART			
		SIZE B		THIS DRAWING CONTAINS INFORMATION THAT IS PROPRIETARY TO MOLEX INCORPORATED AND SHOULD NOT BE USED WITHOUT WRITTEN PERMISSION			

ENG NO:		AE-3190-NA-*			
DIM "D"		(11.43) .450			
DIM "C"		(19.05) .750			
NO. OF CKTS	VOID LOCATION	PART NO.	ENG NO.	DIM. "A"	DIM. "B"
3	3	38-00-7587	AE-3190-3A-51	(7.92 ±0.25) .312 ±.010	(11.89) .486
4	2	↑ -7260	↑ -4A-51	(11.89) .469	(15.85) .624
4	3	-7261	-4A-52	(11.89) .469	(15.85) .624
5	2	-7588	-5A-54	(15.85) .624	(19.81) .780
5	3	-1589	-5A-03	(15.85) .624	(19.81) .780
5	4	-7604	-5A-04	(15.85) .624	(19.81) .780
5	2&4	-1200	-5A-51	(15.85) .624	(19.81) .780
5	1,3	-7262	-5A-52	(15.85) .624	(19.81) .780
5	3,5	-1588	-5A-53	(15.85) .624	(19.81) .780
6	3	-7642	-6A-54	(19.81) .780	(23.77) .936
6	4	-7263	-6A-51	(19.81) .780	(23.77) .936
6	5	-7641	-6A-53	(19.81) .780	(23.77) .936
6	3,6	-7589	-6A-52	(19.81) .780	(23.77) .936
7	6	-7605	-7A-06	(23.77) .936	(27.74) 1.092
8	4	-7590	-8A-51	(27.74) 1.092	(31.70) 1.248
9	4,7	-7638	-9A-52	(31.70) 1.248	(35.66) 1.404
10	3,4	-7639	-10A-51	(35.66) 1.404	(39.62) 1.560
11	6	-7591	-11A-55	(39.62) 1.560	(43.59) 1.716
11	2,4,8	-7264	-11A-52	(39.62) 1.560	(43.59) 1.716
11	3,4,8	-1587	-11A-53	(39.62) 1.560	(43.59) 1.716
11	4,8,9	-1586	-11A-54	(39.62) 1.560	(43.59) 1.716
13	3	-7669	-13A-3	(47.55) 1.872	(51.51) 2.028
13	4,8,11	-7640	-13A-51	(47.55) 1.872	(51.51) 2.028
15	3,9	↓ -8241	↓ -15A-52	(55.47) 2.184	(59.44) 2.340
15	9,13	38-00-8242	AE-3190-15A-53	(55.47 ±0.25) 2.184 ±.010	(59.44) 2.340

OBSOLETE PART #S EC NO: UCP/2011-0768 DRWN:WKIPPER 2010/09/20 CHKD:SSOUSEK APPR:FSM/TH 2011/02/11	QUALITY SYMBOLS	GENERAL TOLERANCES (UNLESS SPECIFIED)	DIMENSION STYLE	SCALE	DESIGN UNITS	THIRD ANGLE PROJECTION	
	$F_A=0$ $F_C=0$ $F_P=0$	mm INCH	MM/IN	---	METRIC		
		4 PLACES ± --- ± --- 3 PLACES ± --- ± --- 2 PLACES ± --- ± --- 1 PLACE ± --- ± ---	DRAWN BY DATE M. GOONEY 2000/10/23	TITLE WAFER POLARIZING KK .156 (3.96)/.156, MOLDED FOR (1.14)/.045RD, PIN, W/VOID			
		ANGULAR ± --- °	CHECKED BY DATE E. FOLAN 2000/11/09	MOLEX INCORPORATED			
		APPROVED BY DATE M. WILHITE 2000/11/09	MATERIAL NO.		DOCUMENT NO.		
		DRAFT WHERE APPLICABLE MUST REMAIN WITHIN DIMENSIONS	SEE CHART		SDAE-3190-N**		
			SIZE A3	THIS DRAWING CONTAINS INFORMATION THAT IS PROPRIETARY TO MOLEX INCORPORATED AND SHOULD NOT BE USED WITHOUT WRITTEN PERMISSION			

X-ON Electronics

Largest Supplier of Electrical and Electronic Components

Click to view similar products for [Headers & Wire Housings](#) category:

Click to view products by [Molex](#) manufacturer:

Other Similar products are found below :

[95000-104TRLF](#) [10135584-644402LF](#) [DF62W-EP2022PCA](#) [95000-106TRLF](#) [DF62W-2022SCA](#) [DF62W-EP2022PC](#) [2203348](#) [DF62W-2022SC](#) [1084018](#) [1029039](#) [1084017](#) [802-10-012-10-002000](#) [1112640](#) [1112639](#) [000-34000](#) [0009482033](#) [0009507031](#) [57102-S06-03LF](#) [57202-S52-04LF](#) [PCN6-15S-2.5E](#) [0039019024](#) [58102-G61-06LF](#) [582553-1](#) [0009485154](#) [0009508121](#) [0022285053](#) [0050291907](#) [018731A](#) [LY20-4P-DT1-P1E-BR](#) [02.125.8002.8](#) [60101931](#) [60598-1 \(Cut Strip\)](#) [M1625-3R/100](#) [61062-3](#) [61082-181009](#) [636-1427](#) [638009-1](#) [641938-9](#) [641991-4](#) [644168-1](#) [647662-1](#) [65039-019ELF](#) [65817-002LF](#) [65817-015LF](#) [65863-015LF](#) [66207-023LF](#) [67016-026LF](#) [67046-001LF](#) [67095-007LF](#) [67230-005LF](#)