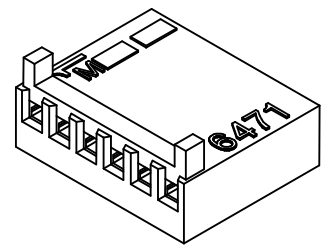
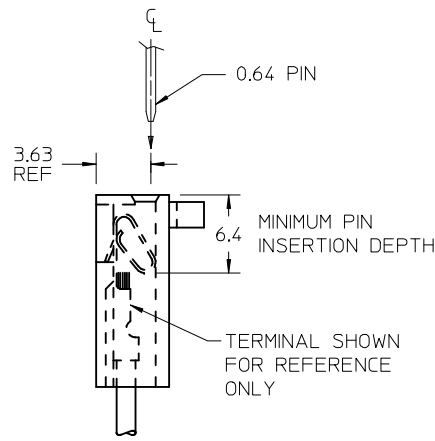
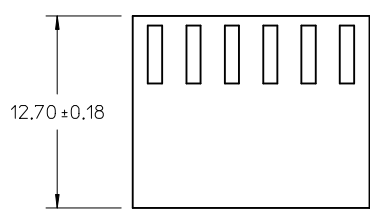
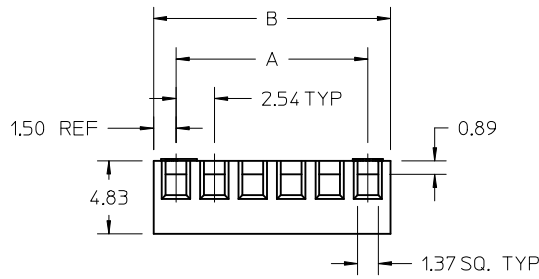
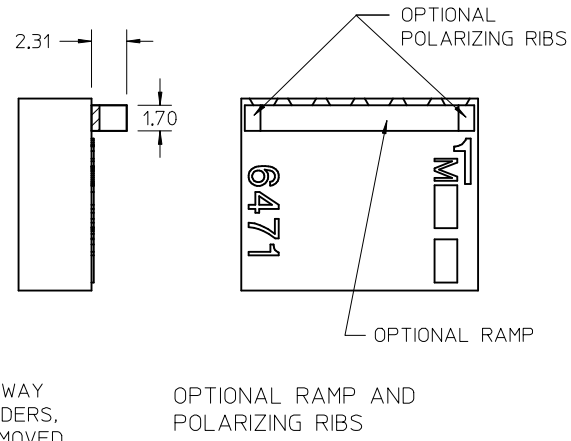
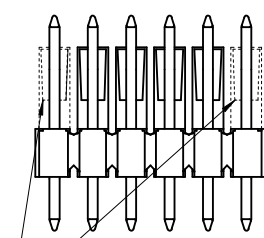
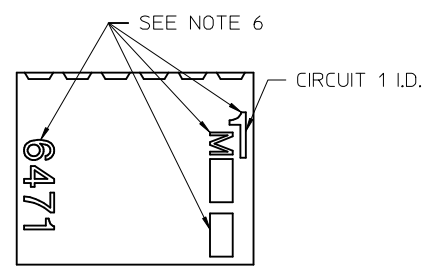
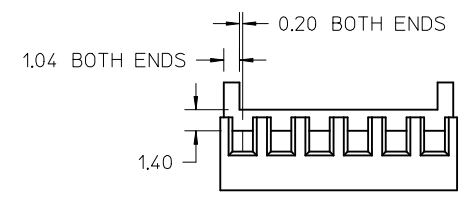


13		12	11	10	9	8	7	6	5	4	3	2	1
22	53.34±0.35	56.34±0.35											
21	50.80±0.35	53.80±0.35											
20	48.26±0.35	51.26±0.35											
19	45.72±0.35	48.72±0.35											
18	43.18±0.35	46.18±0.35											
17	40.64±0.35	43.64±0.35											
16	38.10±0.35	41.10±0.35											
15	35.56±0.35	38.56±0.35											
14	33.02±0.35	36.02±0.35											
13	30.48±0.35	33.48±0.35											
12	27.94±0.35	30.94±0.35											
11	25.40±0.35	28.40±0.35											
10	22.86±0.35	25.86±0.35											
9	20.32±0.35	23.32±0.35											
8	17.78±0.35	20.78±0.35											
7	15.24±0.35	18.24±0.35											
6	12.70±0.15	15.70±0.15											
5	10.16±0.15	13.16±0.15											
4	7.62±0.15	10.62±0.15											
3	5.08±0.15	8.08±0.15											
2	2.54±0.15	5.54±0.15											
No. OF CCTS	DIM A	DIM B											



SHOWN WITH OPTIONAL RAMP AND POLARIZATION RIBS



**LEGEND**

E-6471-\*N\*

MATERIAL  
BLANK= NATURAL

# OF CIRCUITS

OPTION CODE  
BLANK=NO RAMP OR POLARIZATION RIB  
I= RAMP AND POLARIZATION RIB

- NOTES:
- MATERIAL:  
\*BLANK\*: POLYAMIDE (PA66/6), UL94V-0, COLOR: NATURAL (WHITE)
  - FINISH: N/A
  - PRODUCT SPECIFICATION: PS-99020-0088
  - PACKAGING: BULK
  - FOR USE WITH TERMINAL SERIES 2759, 41572, 4809, 6459, AND 8088.
  - TEXT MAY BE PRESENT ON EITHER SIDE OF PART.
  - THIS PART CONFORMS TO CLASS B REQUIREMENTS OF COSMETIC SPECIFICATION PS-45499-002.

ADD HEADER VIEW EC NO: UCP2014-1471 DRAWN BY: DRWIN/KIPPER CHKD: BANDERSON APPR: FSMITH	QUALITY SYMBOLS ▽=0 ▽=0 ▽=0	GENERAL TOLERANCES (UNLESS SPECIFIED)		DIMENSION STYLE <b>MM ONLY</b>		SCALE 4:1	DESIGN UNITS METRIC	THIRD ANGLE PROJECTION		
		mm	INCH	DRAWN BY SF	DATE 2000/07/14	TITLE <b>KK 2.54MM CRIMP TERMINAL HOUSING</b>				
G2	DESCRIPTION	4 PLACES	± ---	± ---	CHECKED BY DWASZKIEWICZ	DATE 2006/02/27	DOCUMENT NO. <b>SD-6471-N*-**</b>			
		3 PLACES	± ---	± ---	DATE 2011/10/11	SHEET NO. 1 OF 2				
		2 PLACES	± 0.15	± ---	MATERIAL NO. <b>SEE CHART</b>					
		1 PLACE	± 0.25	± ---	THIS DRAWING CONTAINS INFORMATION THAT IS PROPRIETARY TO MOLEX. INCORPORATED AND SHOULD NOT BE USED WITHOUT WRITTEN PERMISSION					
		0 PLACE	±	±						
		ANGULAR ± ---°								
		DRAFT WHERE APPLICABLE MUST REMAIN WITHIN DIMENSIONS								

E-6471-N		
PART No.	ENG No.	No. OF CIRCUITS
22-01-2026	E-6471-2	2
↑ -2036	↑ -3	3
-2046	-4	4
-2056	-5	5
-2066	-6	6
-2076	-7	7
-2086	-8	8
-2096	-9	9
-2106	-10	10
-2116	-11	11
-2126	-12	12
-2136	-13	13
-2146	-14	14
-2156	-15	15
-2166	-16	16
-2176	-17	17
-2186	-18	18
-2196	-19	19
-2206	-20	20
↓ -2216	↓ -21	21
22-01-2226	E-6471-22	22

E-6471-NI		
PART No.	ENG No.	No. OF CIRCUITS
22-01-2025	E-6471-02I	2
↑ -2035	↑ -03I	3
-2045	-04I	4
-2055	-05I	5
-2065	-06I	6
-2075	-07I	7
-2085	-08I	8
-2095	-09I	9
-2105	-10I	10
-2115	-11I	11
-2125	-12I	12
-2135	-13I	13
-2145	-14I	14
-2155	-15I	15
-2165	-16I	16
-2175	-17I	17
-2185	-18I	18
-2195	-19I	19
-2205	-20I	20
↓ -2215	↓ -21I	21
22-01-2225	E-6471-22I	22

SEE SHEET 1 EC NO: UCP2014-1471 DRWN:KIPPER 2013/10/02 CHKD:ANDERSON 2013/10/02 APPR:FSMITH 2013/10/09	QUALITY SYMBOLS 	GENERAL TOLERANCES (UNLESS SPECIFIED)		DIMENSION STYLE <b>MM ONLY</b>	SCALE <b>1:1</b>	DESIGN UNITS <b>METRIC</b>	THIRD ANGLE PROJECTION																			
		<table border="1"> <tr><th></th><th>mm</th><th>INCH</th></tr> <tr><td>4 PLACES</td><td>± ---</td><td>± ---</td></tr> <tr><td>3 PLACES</td><td>± ---</td><td>± ---</td></tr> <tr><td>2 PLACES</td><td>± 0.15</td><td>± ---</td></tr> <tr><td>1 PLACE</td><td>± 0.25</td><td>± ---</td></tr> <tr><td>0 PLACE</td><td>±</td><td>±</td></tr> </table>			mm	INCH	4 PLACES	± ---	± ---	3 PLACES	± ---	± ---	2 PLACES	± 0.15	± ---	1 PLACE	± 0.25	± ---	0 PLACE	±	±	DRAWN BY DATE SF 2000/07/14		TITLE <b>KK 2.54MM CRIMP TERMINAL HOUSING</b>		
			mm	INCH																						
		4 PLACES	± ---	± ---																						
3 PLACES	± ---	± ---																								
2 PLACES	± 0.15	± ---																								
1 PLACE	± 0.25	± ---																								
0 PLACE	±	±																								
ANGULAR ±---° DRAFT WHERE APPLICABLE MUST REMAIN WITHIN DIMENSIONS		CHECKED BY DATE DWASZKIEWICZ 2006/02/27																								
G2	DESCRIPTION REV	MATERIAL NO.		APPROVED BY DATE FSMITH 2011/10/11		<b>molex</b> DOCUMENT NO. <b>SD-6471-N***</b>																				
		SIZE C		SHEET NO. 2 OF 2																						

## X-ON Electronics

Largest Supplier of Electrical and Electronic Components

*Click to view similar products for [Headers & Wire Housings](#) category:*

*Click to view products by [Molex](#) manufacturer:*

Other Similar products are found below :

[95000-104TRLF](#) [10135584-644402LF](#) [DF62W-EP2022PCA](#) [95000-106TRLF](#) [DF62W-2022SCA](#) [DF62W-EP2022PC](#) [2203348](#) [DF62W-2022SC](#) [1084018](#) [1029039](#) [1084017](#) [802-10-012-10-002000](#) [1112640](#) [1112639](#) [000-34000](#) [0009482033](#) [0009507031](#) [57102-S06-03LF](#) [57202-S52-04LF](#) [PCN6-15S-2.5E](#) [0039019024](#) [58102-G61-06LF](#) [582553-1](#) [0009485154](#) [0009508121](#) [0022285053](#) [0050291907](#) [018731A](#) [LY20-4P-DT1-P1E-BR](#) [02.125.8002.8](#) [60101931](#) [60598-1 \(Cut Strip\)](#) [M1625-3R/100](#) [61062-3](#) [61082-181009](#) [636-1427](#) [638009-1](#) [641938-9](#) [641991-4](#) [644168-1](#) [647662-1](#) [65039-019ELF](#) [65817-002LF](#) [65817-015LF](#) [65863-015LF](#) [66207-023LF](#) [67016-026LF](#) [67046-001LF](#) [67095-007LF](#) [67230-005LF](#)