

# 4112 N/2H3 DC Axial Fan

High performance DC Axial fan with electronically commutated external rotor motor. The Electronic commutation is completely integrated into the motor hub.



## Features

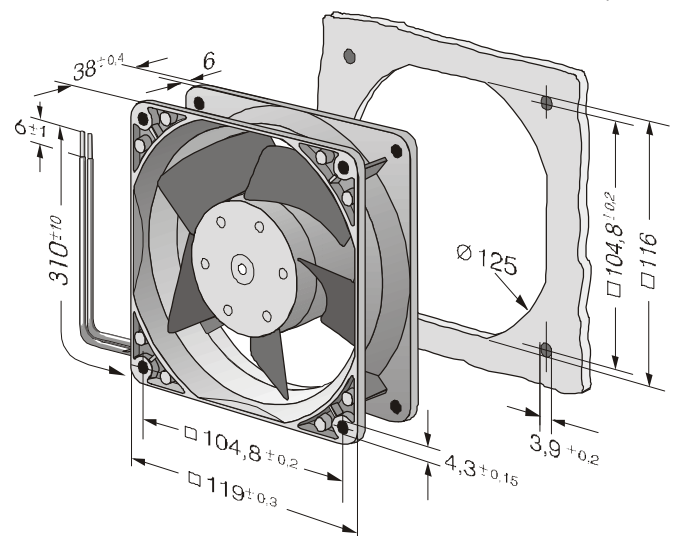
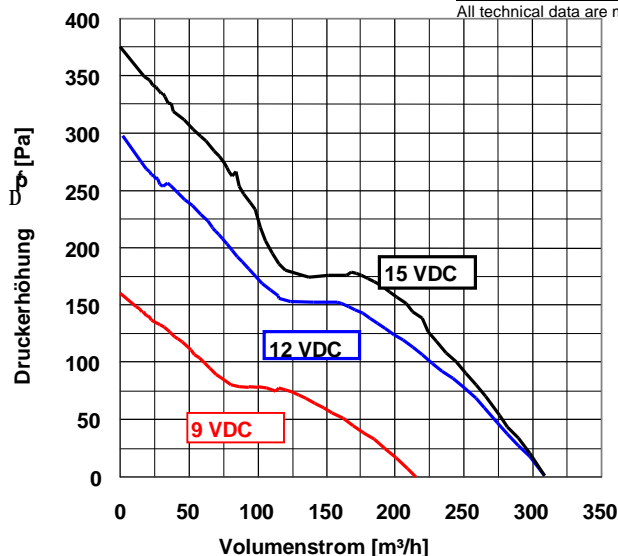
- Electronically protected against reverse polarity, overloading, and locking.
- Air intake over struts.
- Metal fan housing.
- Impeller of fibre-glass reinforced plastic PA
- Open collector Tacho Signal
- Electrical connection via 3 leads AWG 22 TR 64, 310mm long  
Red = +12 VDC  
Blue = GND  
White = Tacho

## General Data

|   |                   |                          |
|---|-------------------|--------------------------|
| Nominal voltage                               | V DC              | 12                       |
| Voltage range                                 | V DC              | 9 - 15                   |
| Nominal speed                                 | min <sup>-1</sup> | 6000                     |
| Max. flow rate                                | m <sup>3</sup> /h | 310                      |
| Max. flow rate                                | CFM               | 182,4                    |
| Max. pressure                                 | Pa                | 300                      |
| Noise free air                                | dB(A)             | 65                       |
| Current consumption                           | mA                | 1800                     |
| Power consumption                             | W                 | 21,6                     |
| Start-up current                              | mA                | tbd                      |
| Permanent ambient temperature at max. voltage | °C                | -20 ... +65              |
| Service life L <sub>10</sub> (40 °C)          | h                 | 65.000                   |
| Service life L <sub>10</sub> (65 °C)          | h                 | 37.500                   |
| Fan housing / impeller                        |                   | Metal / PA 6.6           |
| Bearing system                                |                   | Ball bearings            |
| Approvals                                     |                   | CSA; UL; VDE applied for |
| Mass  | g                 | 390                      |

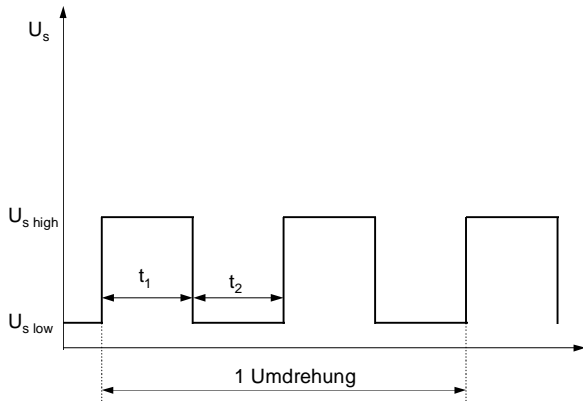
All technical data are mean values at nominal conditions.

subject to change

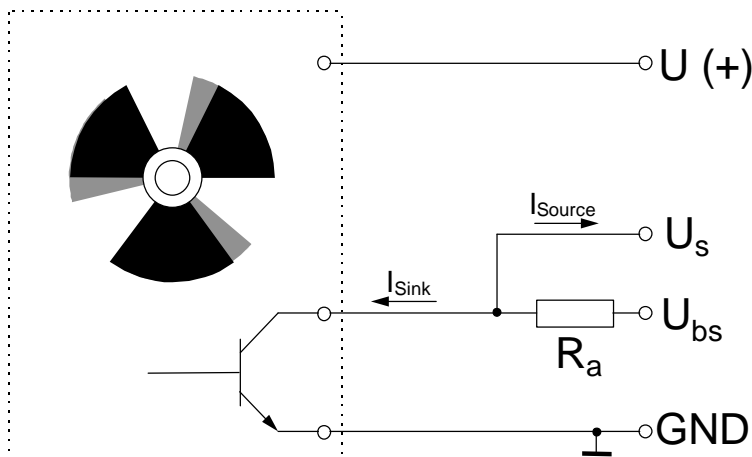


## Tacho Signal /2

### Output signal:



### Connection Scheme:



- U (+) = supply voltage (+)
- U<sub>s</sub> = tacho signal
- U<sub>bs</sub> = supply voltage tacho signal
- GND = ground (-)
- R<sub>a</sub> = external pull up resistor

$$R_a = \frac{U_{bs} - U_{slow}}{I_{sink}}$$

### Technical data:

|                                 |  |
|---------------------------------|--|
| Signal                          | 2 pulse per revolution                   |
| U <sub>bs</sub>                 | 5...30 V DC                              |
| U <sub>s high</sub>             | 5...30 V DC @ I <sub>source</sub> = 0 mA |
| U <sub>s low</sub>              | ≤ 0,4 V DC @ I <sub>sink</sub> ≤ 2 mA    |
| I <sub>sink max</sub>           | ≤ 4 mA                                   |
| t <sub>1</sub> / t <sub>2</sub> | 0,8 - 1,2                                |

## X-ON Electronics

Largest Supplier of Electrical and Electronic Components

*Click to view similar products for [AC Fans](#) category:*

*Click to view products by [ebm papst](#) manufacturer:*

Other Similar products are found below :

[M2E068-DF13-79](#) [F1238H24B-FHR](#) [8850A](#) [G9225S05B2-FSR](#) [A2D200-AA04-41](#) [A2E165-AA17-01](#) [R2D140-AB02-14](#) [R4D310-AS18-01](#)  
[R4D400-AD22-06](#) [R4E180-AS11-09](#) [AD0912HB-A7BGL](#) [1500-FAN-01](#) [25.001.1856.0](#) [25.320.1153.1](#) [25.320.1353.1](#) [25.320.4753.1](#)  
[25.320.5453.1](#) [25.330.1353.1](#) [25.330.4853.1](#) [25.330.5153.1](#) [25.330.5353.1](#) [25.340.1053.1](#) [25.350.5253.0](#) [25.600.4053.0](#) [272DL-2LP11-000](#)  
[S2E250-AL06-70](#) [A2D210-AB10-05](#) [A2D240-AA02-02](#) [A2D250-AE22-06](#) [A2E170-AF23-01](#) [F1238S24BT-FSR](#) [25.000.1856.0](#)  
[25.000.2056.0](#) [25.010.1856.0](#) [25.220.3953.1](#) [25.332.2453.1](#) [25.340.0453.1](#) [25.345.5353.0](#) [25.352.1853.0](#) [281DS-2LP11-000B](#) [281DY-](#)  
[1LP14-000B](#) [298DM-2LP11-000](#) [298DS-2LP11-000A](#) [R2S150-AD08-09](#) [344DY-1LP11-000](#) [39.703.0253.0](#) [USTF1203224VHW](#)  
[3G2C7MC224](#) [W2D200-HH04-07](#) [W2D300-CP02-48](#)