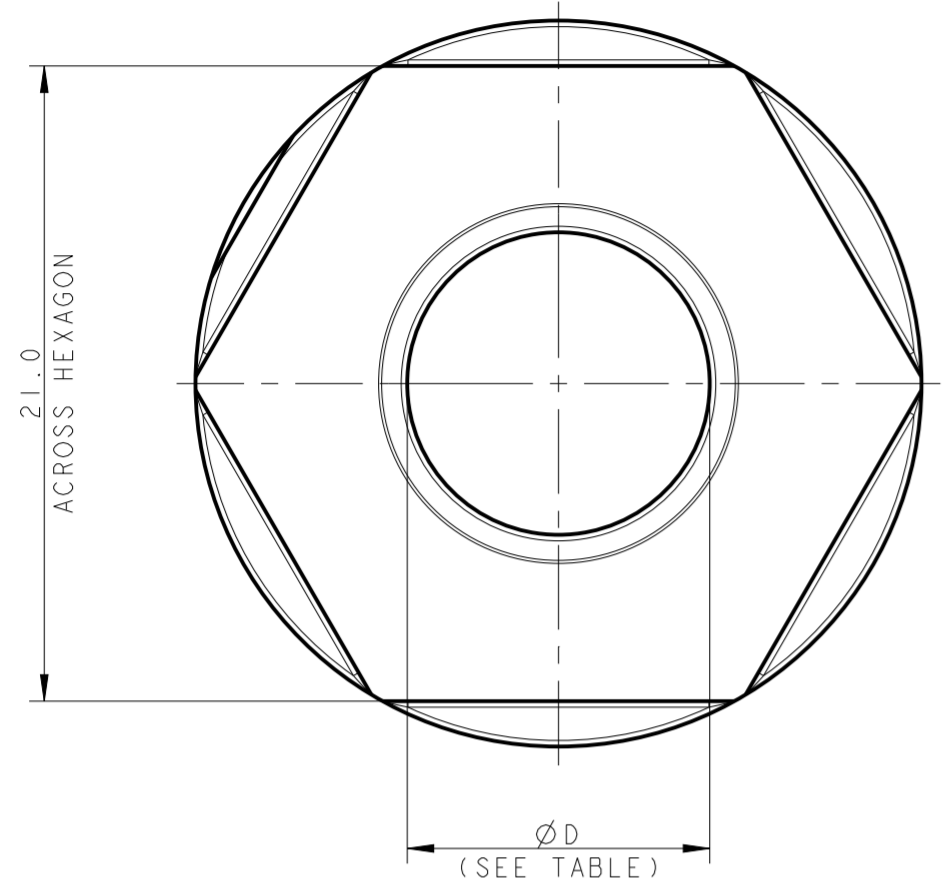
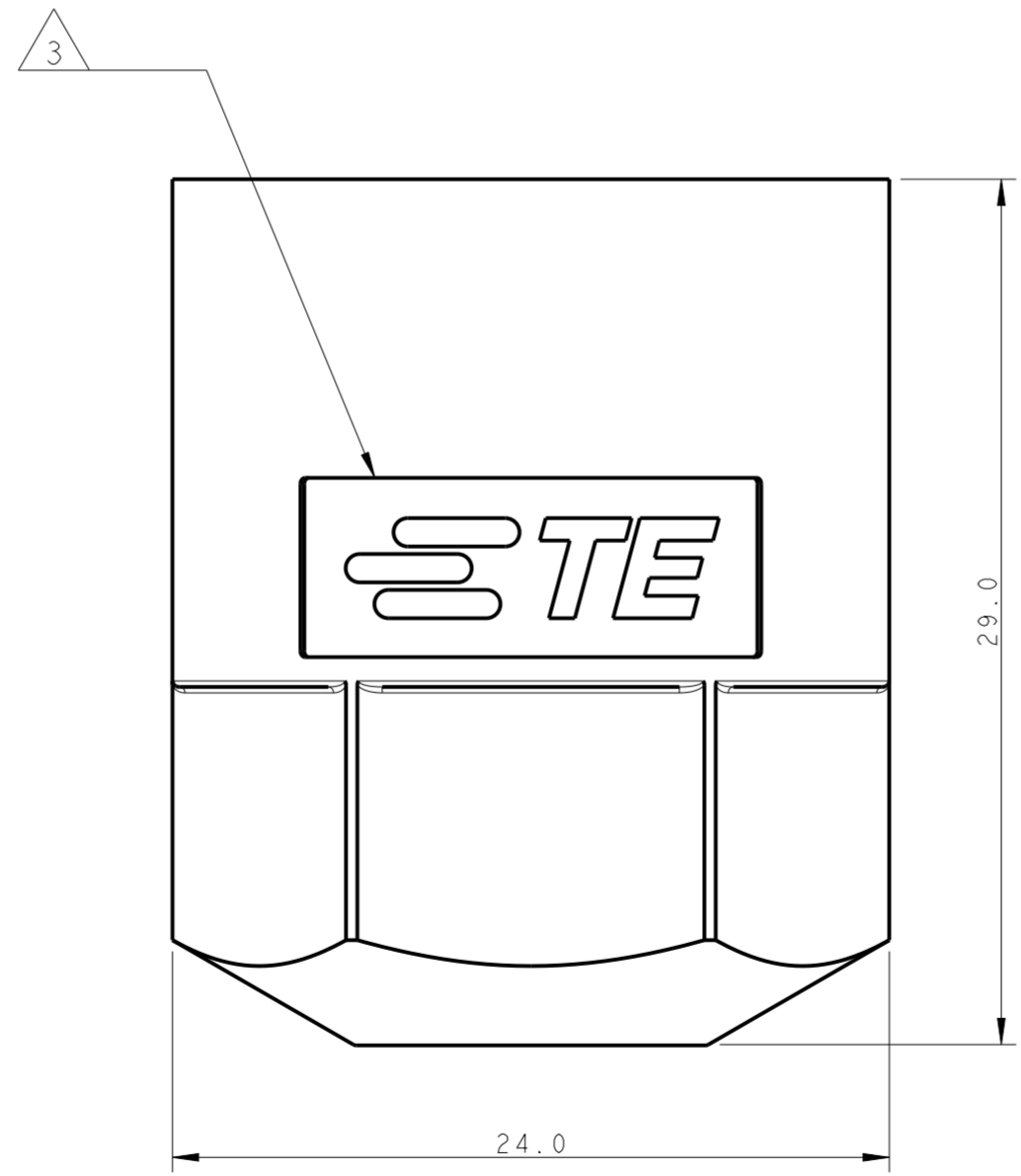
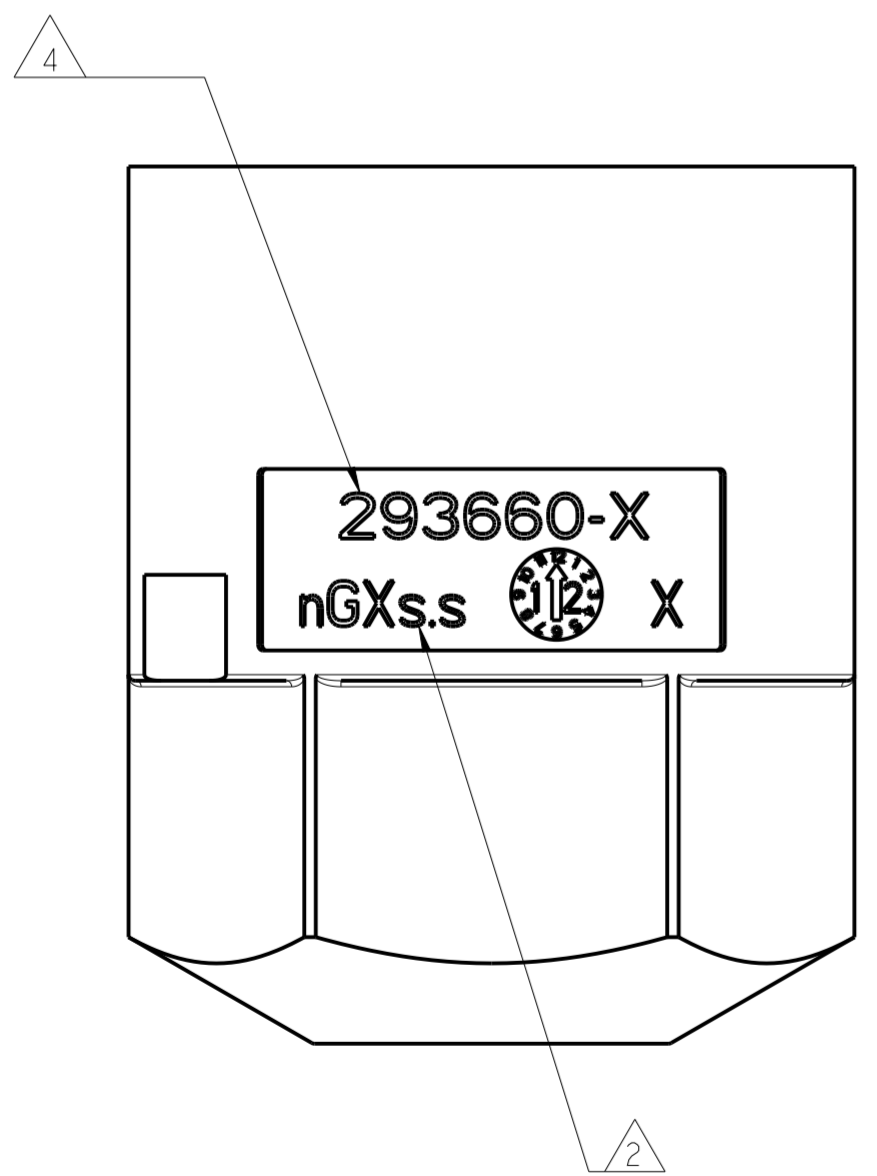
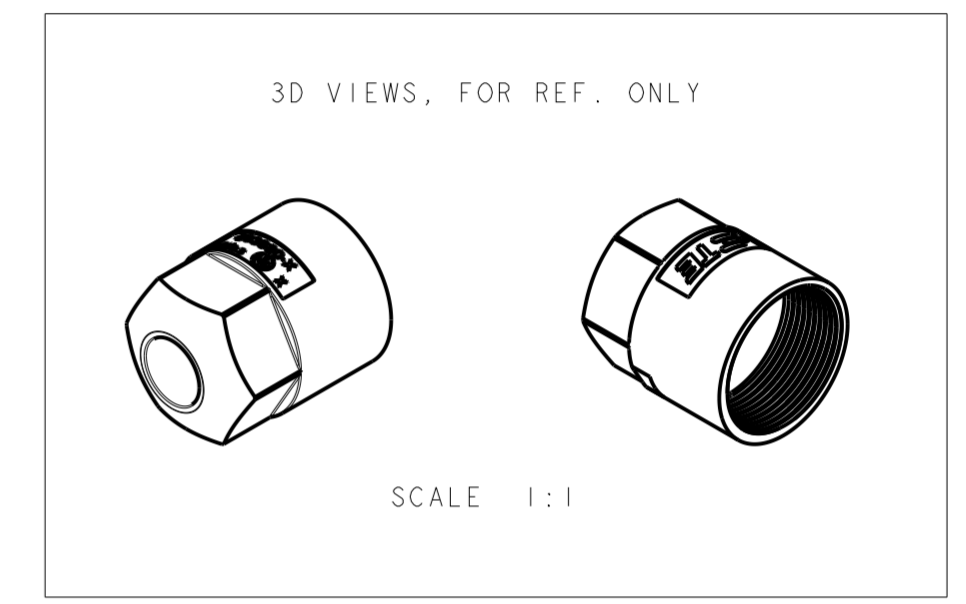


THIS DRAWING IS UNPUBLISHED. RELEASED FOR PUBLICATION 2011
 © COPYRIGHT 2011 Tyco Electronics AMP GmbH ALL RIGHTS RESERVED.

LOC	DIST	REVISIONS			
P	LTR	DESCRIPTION	DATE	DWN	APVD
		A2	REVISED	18MAR2013	DC JC
		A3	RELEASED 293660-3, -5, -6	30SEP2013	DC JC
		A4	RELEASED 1-293660-1, -2, -3, -5, -6	28FEB2014	KR JC
		A5	RELEASED 293660-4, 1-4	05MAR2014	KR JC



- 1 MATERIAL: PA GF (NATURAL AND BLACK COLOUR)
- 2 NUMBER OF CABLE CORES (n) AND CONDUCTORS SIZE (s.s)
- 3 AREA FOR TE LOGO
- 4 AREA FOR TE P/N



NOTE	DIM "D" NOM.	CABLE OUTSIDE Ø	CABLE TYPE	CONDUCTOR NR. & SIZE (sqmm)	COLOUR	PART NO.	REV.
1	11.30	10.45±0.75	H05VV5-F	5GX1.5	BLACK	1-293660-6	A
1	15.60	14.75±0.75	H05VV5-F	7GX2.5	BLACK	1-293660-5	A
1	7.90	7.60±0.10	RZ1-LSF-OH	-	BLACK	1-293660-4	A
1	13.50	12.65±0.75	H05VV5-F	5GX2.5 7GX1.5	BLACK	1-293660-3	A
1	11.40	11.10±0.10	RZ1-LSF-OH	6GX2.5	BLACK	1-293660-2	A
1	10.00	9.70±0.10	RZ1-LSF-OH	6GX1.5	BLACK	1-293660-1	A
1	11.30	10.45±0.75	H05VV5-F	5GX1.5	NATURAL	293660-6	A
1	15.60	14.75±0.75	H05VV5-F	7GX2.5	NATURAL	293660-5	A
1	7.90	7.60±0.10	RZ1-LSF-OH	-	NATURAL	293660-4	A
1	13.50	12.65±0.75	H05VV5-F	5GX2.5 7GX1.5	NATURAL	293660-3	A
1	11.40	11.10±0.10	RZ1-LSF-OH	6GX2.5	NATURAL	293660-2	A
1	10.00	9.70±0.10	RZ1-LSF-OH	6GX1.5	NATURAL	293660-1	A

THIS DRAWING IS A CONTROLLED DOCUMENT.

DIMENSIONS: mm	TOLERANCES UNLESS OTHERWISE SPECIFIED:	DWN: A. BERNARDI 21 JAN 2011	TE Connectivity RING NUT FOR CABLE RETENTION (5,6,7 POLES) NECTOR M-LINE UNSEALED VERSION
	0 PLC ±	CHK: U. AIME 21 JAN 2011	
	1 PLC ±0.3	APVD: G. TURCO 21 JAN 2011	
	2 PLC ±0.2	PRODUCT SPEC: 108-20324	
MATERIAL	3 PLC ±	APPLICATION SPEC: 114-20169	SIZE: A2
SEE NOTES	4 PLC ±	WEIGHT: -	CAGE CODE: 07779
	ANGLES ±3°	FINISH	DRAWING NO: C-293660
			RESTRICTED TO: -
			SCALE: 4:1
			SHEET 1 OF 1
			REV: A5

Customer Drawing

X-ON Electronics

Largest Supplier of Electrical and Electronic Components

Click to view similar products for [Lighting Connectors](#) category:

Click to view products by [TE Connectivity](#) manufacturer:

Other Similar products are found below :

[21061-9](#) [293300-7](#) [2106117-2](#) [293660-5](#) [293700-2](#) [CNX_H03_NTP](#) [30-9767-BU](#) [3-21030-1](#) [ZCH-110-RGB-I](#) [503471-0290](#) [ES5P09K4F2](#)
[CNXH02NTP](#) [ZCH-110-RGB-J](#) [217-0716-200](#) [192992-0057](#) [1954563-1](#) [217-3030-000](#) [217-3032-000](#) [237-0734-003](#) [DTS24W25-20PN-LC](#)
[1-2213614-2](#) [2834049-3](#) [ES9S002SZZ](#) [2834049-2](#) [2-2834067-3](#) [1-293657-2](#) [2834049-1](#) [293699-2](#) [293701-3](#) [1-2213614-3](#) [2834036-1](#)
[2834037-1](#) [2213614-3](#) [2307526-2](#) [2-2106124-3](#) [2-2834068-3](#) [FLS2SC4001BP](#) [FLSC80352000](#) [FLSC80354000](#) [FLSC80353000](#) [FLSSB8002](#)
[FLSSB8001](#) [FLSC80351000](#) [FLSC80355000](#) [FLSSB4001](#) [FLSC80504000](#) [FLSC80502000](#) [FLSC80501000](#) [FLSSR4001](#) [FLSC80505000](#)