

NOTE

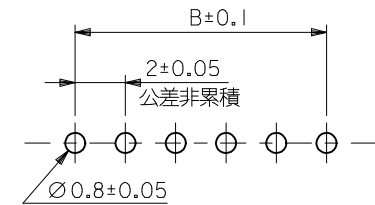
- 1. 嵌合相手: 51382-\*\*\*\*
- △ 偶数極 (列) に適用。
- 3. キングは両外側の位置に付加。
- △ 製品番号 MATERIAL NO.

55932-\*\*\*\*

極数 CIRCUIT SIZE

- 5. 材質  
ピン : 黄銅  
ハウジング : PBT

- 6. めっき  
錫めっき  
下地 : ニッケルめっき



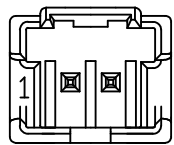
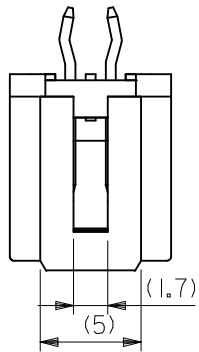
推奨基板寸法  
(t = 1.6)

色 COLOR	
30	自然色 (白) NATURAL (WHITE)
31	黒 BLACK
32	赤 RED
33	黄 YELLOW
34	青 BLUE
35	桃 PINK
36	緑 GREEN
37	茶 BROWN
38	橙 ORANGE
39	紫 VIOLET
51	灰 GRAY
53	蛍光黄 FLUORESCENT YELLOW
54	水 PALE BLUE
55	蛍光桃 FLUORESCENT PINK
56	黄緑 YELLOWISH GREEN
58	蛍光橙 FLUORESCENT ORANGE

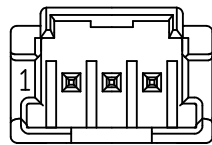
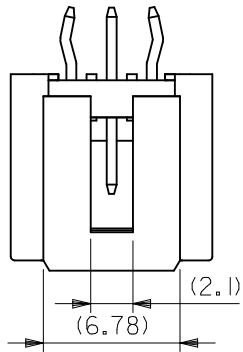
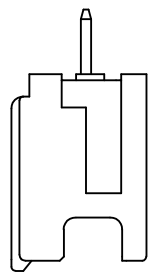
31	28	34	55932-15**	15
29	26	32	55932-14**	14
27	24	30	55932-13**	13
25	22	28	55932-12**	12
23	20	26	55932-11**	11
21	18	24	55932-10**	10
19	16	22	55932-09**	9
17	14	20	55932-08**	8
15	12	18	55932-07**	7
13	10	16	55932-06**	6
11	8	14	55932-05**	5
9	6	12	55932-04**	4
7	4	10	55932-03**	3
5	2	8	55932-02**	2
C	B	A	△ MATERIAL NO.	CKT.

MODEL NO. : 55932-\*\*\*\*

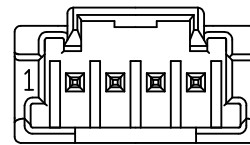
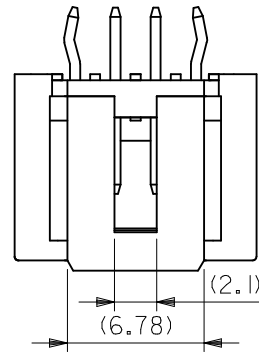
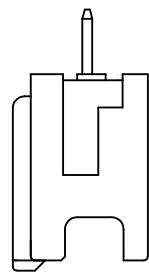
REVISED EC NO. : J2015-0937 DRWN:KMATSUJAWA 2015/10/05 CHK:DKASAKAWA 2015/10/05 APPR:NUKITA 2015/10/26	GENERAL TOLERANCES (UNLESS SPECIFIED)		DIMENSION STYLE MM ONLY		SCALE ---	DESIGN UNITS METRIC	THIRD ANGLE PROJECTION	
	0.25 UNDER	±0.03	DRAWN BY	DATE	TITLE			
	0.25 OVER 0.5 UNDER	±0.05	T. NIITSU	'02/02/08	2.0 W/B CONN. PLUG HOUSING ASS'Y ST -LEAD FREE-			
	0.5 OVER 1.0 UNDER	±0.1	CHECKED BY	DATE	<b>molex</b> DOCUMENT NO. SD-55932-006 SHEET NO. 1 OF 2			
1.0 OVER 10 UNDER	±0.2	K. ASAKAWA	'03/06/12					
10 OVER 30 UNDER	±0.25	APPROVED BY	DATE	THIS DRAWING CONTAINS INFORMATION THAT IS PROPRIETARY TO MOLEX INCORPORATED AND SHOULD NOT BE USED WITHOUT WRITTEN PERMISSION				
30 OVER	±0.3	T. YAMAGUCHI	'03/06/12					
ANGULAR	±3 °	MATERIAL NO.		SEE CHART				
DRAFT WHERE APPLICABLE MUST REMAIN WITHIN DIMENSIONS				SIZE A3				



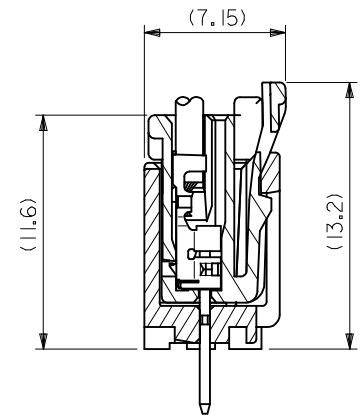
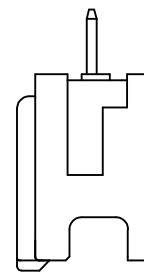
2 CIRCUIT



3 CIRCUIT

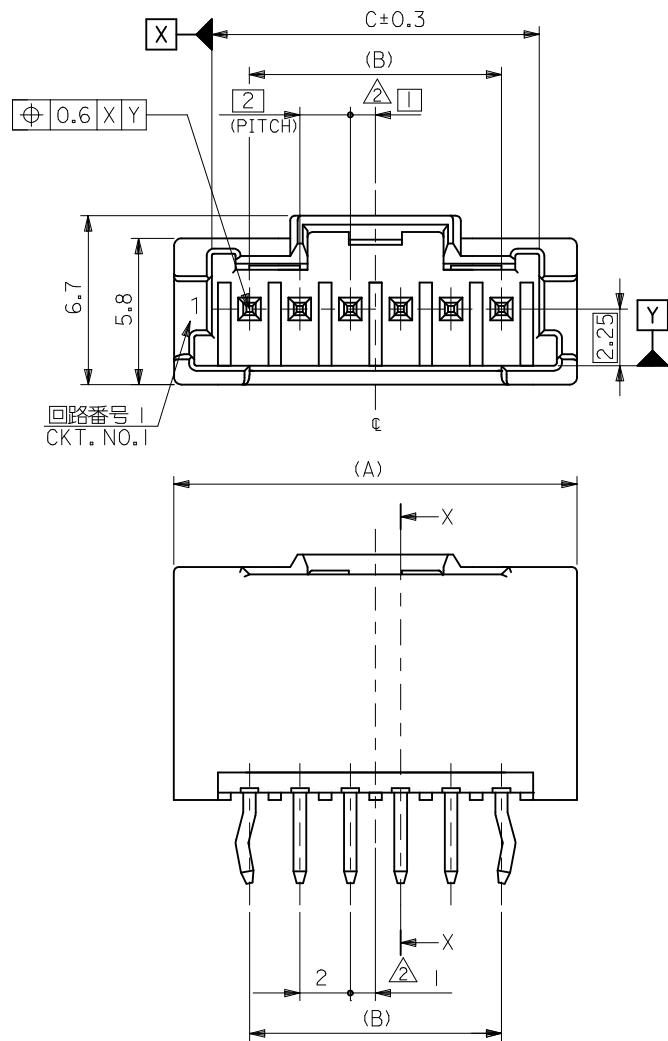


4 CIRCUIT



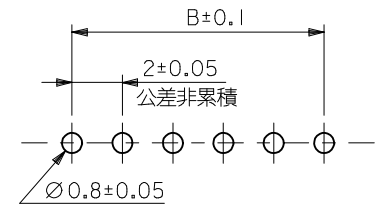
嵌合断面図

REVISED EC NO: J2015-0937 DRW:KMATSUYAMA 2015/10/05 CHK:D.KASAKAWA 2015/10/05 APPR:NUKITA 2015/10/26	GENERAL TOLERANCES (UNLESS SPECIFIED)		DIMENSION STYLE MM ONLY		SCALE ---	DESIGN UNITS METRIC	THIRD ANGLE PROJECTION
	0.25 UNDER	±0.03	DRAWN BY T.NIITSU	DATE '02/02/08	TITLE 2.0 W/B CONN. PLUG HOUSING ASS'Y ST -LEAD FREE-		
	0.25 OVER 0.5 UNDER	±0.05	CHECKED BY K.ASAKAWA	DATE '03/06/12			
	0.5 OVER 1.0 UNDER	±0.1	APPROVED BY T.YAMAGUCHI	DATE '03/06/12			
1.0 OVER 10 UNDER	±0.2	MATERIAL NO. SEE SHEET 1		DOCUMENT NO. SD-55932-006	SHEET NO. 2 OF 2		
10 OVER 30 UNDER	±0.25	THIS DRAWING CONTAINS INFORMATION THAT IS PROPRIETARY TO MOLEX INCORPORATED AND SHOULD NOT BE USED WITHOUT WRITTEN PERMISSION					
30 OVER	±0.3	DRAFT WHERE APPLICABLE MUST REMAIN WITHIN DIMENSIONS					
ANGULAR	±3 °						



NOTE

1. 嵌合相手：51382-\*\*\*\*
- △ 偶数極（列）に適用。
3. キングは両外側の位置に付加。
4. ピン：黄銅、ニッケル下地錫メッキ  
ハウジング：PBT
- △ 適合リテーナー：500638シリーズ  
APPLICABLE RETAINER：500638 SERIES.
- △ 製品番号 MATERIAL NO.



推奨基板寸法  
(t=1.6)

55932-\*\*\*\*

極数 CIRCUIT SIZE

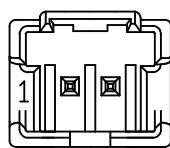
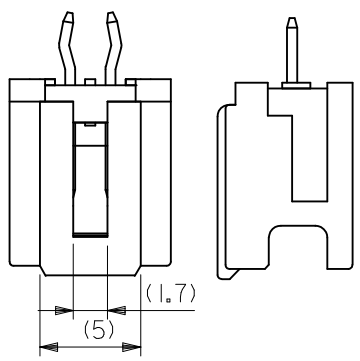
色 COLOR

30	自然色 (白) NATURAL (WHITE)
31	黒 BLACK
32	赤 RED
33	黄 YELLOW
34	青 BLUE
35	桃 PINK
36	緑 GREEN
37	茶 BROWN
38	橙 ORANGE
39	紫 VIOLET
51	灰 GRAY
53	蛍光黄 FLUORESCENT YELLOW
54	水 PALE BLUE
55	蛍光桃 FLUORESCENT PINK
56	黄緑 YELLOWISH GREEN
58	蛍光橙 FLUORESCENT ORANGE

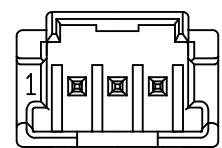
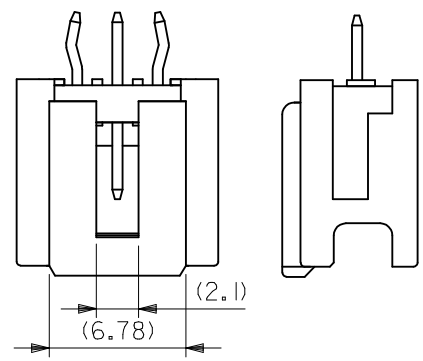
31	28	34	55932-15**	15
29	26	32	55932-14**	14
27	24	30	55932-13**	13
25	22	28	55932-12**	12
23	20	26	55932-11**	11
21	18	24	55932-10**	10
19	16	22	55932-09**	9
17	14	20	55932-08**	8
15	12	18	55932-07**	7
13	10	16	55932-06**	6
11	8	14	55932-05**	5
9	6	12	55932-04**	4
7	4	10	55932-03**	3
5	2	8	55932-02**	2
C	B	A	△ MATERIAL NO. CKT.	

MODEL NO. : 55932-\*\*\*\*

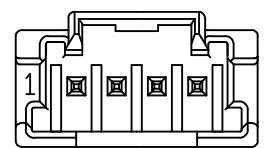
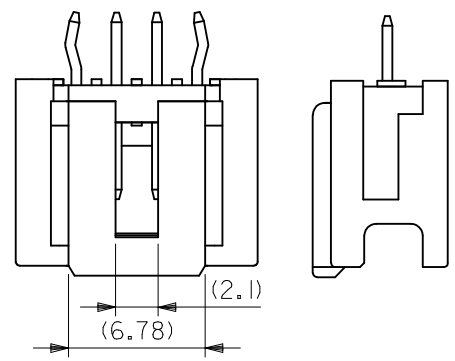
REVISED EC NO: J2016-0482 DRWN:IMIYABE 2015/10/15 CHKD:KASAKAWA 2015/11/10 APPR:NUKITA 2015/12/24	GENERAL TOLERANCES (UNLESS SPECIFIED)			DIMENSION STYLE MM ONLY		SCALE ---		DESIGN UNITS METRIC		THIRD ANGLE PROJECTION	
	0.25 UNDER	UNDER	±0.03	DRAWN BY	DATE	TITLE					
	0.25 OVER	0.5 UNDER	±0.05	YMAEDA	2005/06/13	2.0 W/B CONN.PLUG HOUSING ASS'Y W/O BOSS -LEAD FREE- <b>molex</b> SD-55932-007 SHEET NO. 1 OF 2					
	0.5 OVER	1.0 UNDER	±0.1	CHECKED BY	DATE						
	1.0 OVER	10 UNDER	±0.2	MTANAKA	2005/06/13						
10 OVER	30 UNDER	±0.25	APPROVED BY	DATE							
30 OVER		±0.3	NUKITA	2005/06/13							
ANGULAR	±3 °		MATERIAL NO.		DOCUMENT NO.						
DRAFT WHERE APPLICABLE MUST REMAIN WITHIN DIMENSIONS			SIZE A3		THIS DRAWING CONTAINS INFORMATION THAT IS PROPRIETARY TO MOLEX INCORPORATED AND SHOULD NOT BE USED WITHOUT WRITTEN PERMISSION						



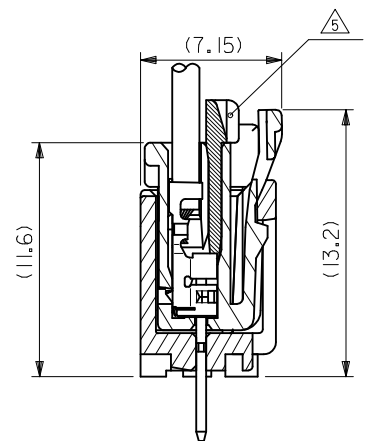
2 CIRCUIT



3 CIRCUIT



4 CIRCUIT



嵌合断面図

MODEL NO. : 55932-\*\*\*\*

REVISED EC NO: J2016-0482 DRWN: MIYABE 2015/10/13 CHKD: KASAKAWA 2015/11/10 APPR: NUKITA 2015/12/24	GENERAL TOLERANCES (UNLESS SPECIFIED)			DIMENSION STYLE MM ONLY		SCALE ---	DESIGN UNITS METRIC	THIRD ANGLE PROJECTION
	0.25 UNDER	UNDER	±0.03	DRAWN BY YMAEDA	DATE 2005/06/13	TITLE 2.0 W/B CONN.PLUG HOUSING ASS'Y W/O BOSS -LEAD FREE-		
	0.25 OVER	0.5 UNDER	±0.05	CHECKED BY MTANAKA	DATE 2005/06/13			
	0.5 OVER	1.0 UNDER	±0.1	APPROVED BY NUKITA	DATE 2005/06/13			
	1.0 OVER	10 UNDER	±0.2	MATERIAL NO. SEE SHEET 1		DOCUMENT NO. SD-55932-007	SHEET NO. 2 OF 2	
	10 OVER	30 UNDER	±0.25	THIS DRAWING CONTAINS INFORMATION THAT IS PROPRIETARY TO MOLEX INCORPORATED AND SHOULD NOT BE USED WITHOUT WRITTEN PERMISSION				
30 OVER		±0.3						
ANGULAR	±3 °							
DRAFT WHERE APPLICABLE MUST REMAIN WITHIN DIMENSIONS								

## X-ON Electronics

Largest Supplier of Electrical and Electronic Components

*Click to view similar products for [Headers & Wire Housings](#) category:*

*Click to view products by [Molex](#) manufacturer:*

Other Similar products are found below :

[95000-104TRLF](#) [10135584-644402LF](#) [DF62W-EP2022PCA](#) [95000-106TRLF](#) [DF62W-2022SCA](#) [DF62W-EP2022PC](#) [2203348](#) [DF62W-2022SC](#) [1084018](#) [1029039](#) [1084017](#) [802-10-012-10-002000](#) [1112640](#) [1112639](#) [000-34000](#) [0009482033](#) [0009507031](#) [57102-S06-03LF](#) [57202-S52-04LF](#) [PCN6-15S-2.5E](#) [0039019024](#) [58102-G61-06LF](#) [582553-1](#) [0009485154](#) [0009508121](#) [0022285053](#) [0050291907](#) [018731A](#) [LY20-4P-DT1-P1E-BR](#) [02.125.8002.8](#) [60101931](#) [60598-1 \(Cut Strip\)](#) [M1625-3R/100](#) [61062-3](#) [61082-181009](#) [636-1427](#) [638009-1](#) [641938-9](#) [641991-4](#) [644168-1](#) [647662-1](#) [65039-019ELF](#) [65817-002LF](#) [65817-015LF](#) [65863-015LF](#) [66207-023LF](#) [67016-026LF](#) [67046-001LF](#) [67095-007LF](#) [67230-005LF](#)