

60mm Compact fan

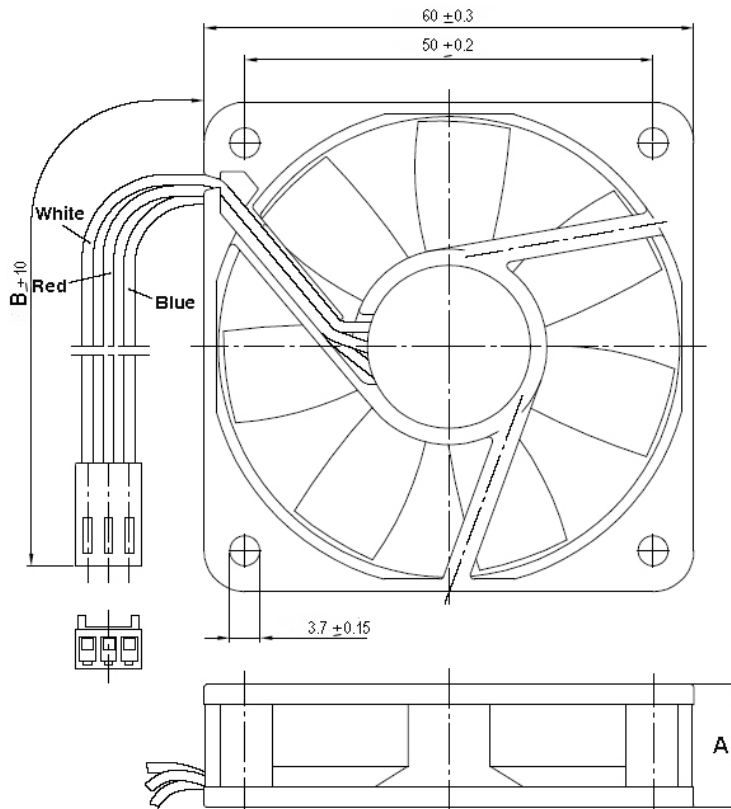


- With electronic protection against reverse polarity. The fan only operates when the polarity is correct. Impedance-protected against locked rotor and overloading.
- Fan of fibreglass reinforced plastic. PBT housing, PA impeller
- Air exhaust over struts. Rotational direction CCW looking at rotor
- Fitted with 3 pin molex connector (22-01-2035)
- Sensor signal for speed monitoring

Nominal data	Air flow @ free air	Air flow @ free air	Nominal voltage	Voltage range	Noise	Sintec-sleeve bearings	Power input	Nominal speed	Temperature range	Service life L ₁₀ @20°C/ at 60°C	Dimension	Dimension
Type	m ³ /h	CFM	VDC	VDC	dB(A)	Yes	Watt	min ⁻¹	°C	Hours	A	B
612F/2L-640	16.8	9.9	12	11.5...13.2	16	Yes	0.4	2250	0...+70	50,000/20,000	15	308
612F/2-638	29	17.1	12	10.8...13.2	27	Yes	1.0	3900	-20...+70	50,000/20,000	15	308
612N/2GML-096	25	14.7	12	8...15	19	Yes	0.7	3000	-20...+70	80,000/32,500	25	318

subject to alterations

Dimensions



ebm-papst UK Ltd, Chelmsford Business Park, Chelmsford, Essex, CM2 5EZ
+44 (0)1245 68555

www.ebmpapst.co.uk

X-ON Electronics

Largest Supplier of Electrical and Electronic Components

Click to view similar products for [DC Fans](#) category:

Click to view products by [ebm papst](#) manufacturer:

Other Similar products are found below :

[614R](#) [6424/2HP-210](#) [8312R](#) [DV4118/2NP-183](#) [AFB0948HH-S687](#) [PFB0824DHE-8B72](#) [G2E085-AA05-10](#) [RD20S-4/210660](#) [4318/12T](#)
[4418HH](#) [AUB0912H-F00](#) [3412N/2ME](#) [K2E225-RA92-09](#) [4184N/2XR](#) [5214N2HH](#) [614J2HHPR-010](#) [8412NGL-12](#) [4114N/12HHR-297](#)
[4656](#) [ZWR-903](#) [4112N12GL-175](#) [KD2406PKB2.\(2\).GN](#) [AFB1248HHE](#) [AFB1212LE-F00](#) [FAN-SCH-1](#) [MF60151V1-1000U-G99](#)
[PF80252V1-1000U-G99](#) [PF92252V1-1000U-G99](#) [4112N/2H6P](#) [4114N/17-251](#) [6212NH](#) [622/2N](#) [712F-011](#) [8218J/2NP-181](#) [W1G180-AB47-](#)
[15](#) [FAA1-12038NBKW31-A](#) [6318N/2TDP](#) [6318N/2H3PU](#) [6318HU](#) [424JMU](#) [PMD1206PTVX-A.U.GN](#) [PF80251B2-000U-F99](#)
[EF40101BX-1000U-G99](#) [AD1224LB-A71GL](#) [9GA0924L4021](#) [9GA0924M4021](#) [9GA0924M4011](#) [9GA0824B20011](#) [9GA0812A2D0011](#)
[9GA0912M4D011](#) [9GA0924W4D01](#)