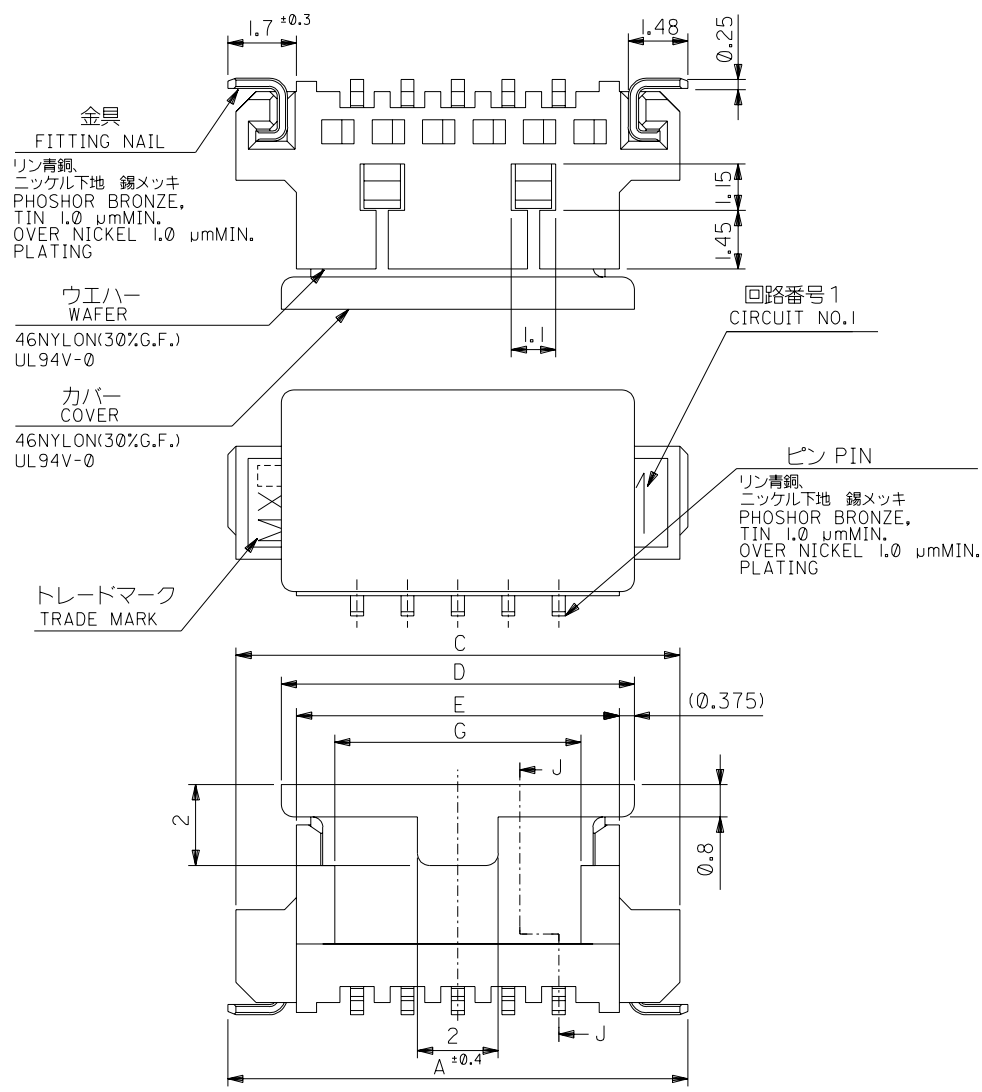
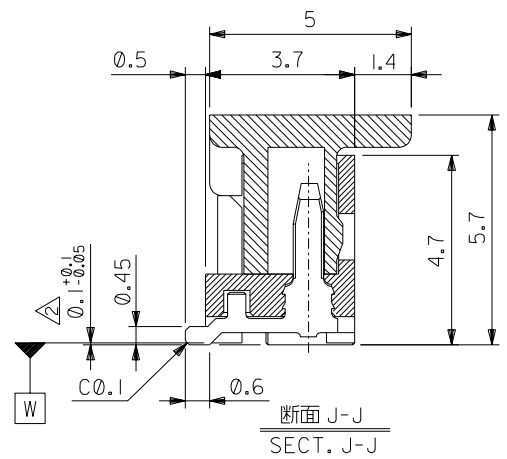


DWG. NO.
SD-53398-034



NOTES

1. 嵌合相手: 51021シリーズ MATE WITH: 51021 SERIES
2. 水平面上においての、ウエハー底面 [W] とソルダーテール及びフィッティングネイル底面とのズレ量を示す。 MISALIGNMENT OF SOLDER TAIL & FITTING NAIL FROM [W]
3. 偶数極のみ適用。APPLY EVEN CIRCUIT PRODUCTS.
4. 本製品は 53398-**20 の鉛フリー品である。 THIS PRODUCT IS LEAD FREE OF 53398-**20.

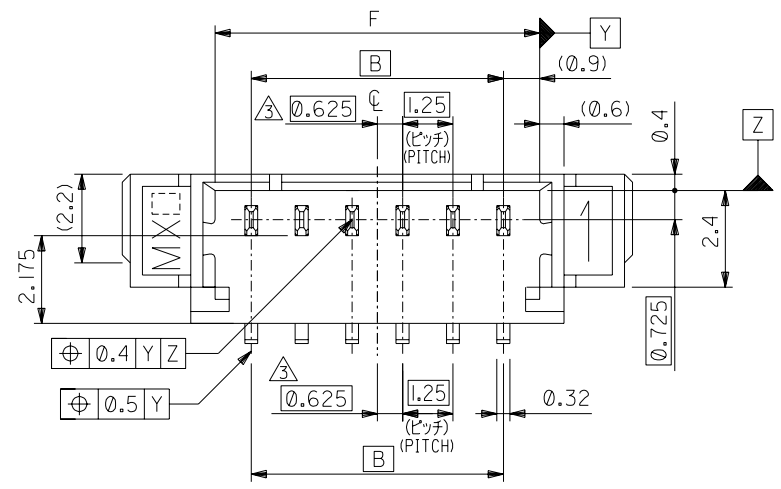


17.35	18.05	19.25	20	22.25	16.25	22.3	53398-1429	14
14.85	15.55	16.75	17.5	19.75	13.75	20.15	53398-1229	12
9.85	10.55	11.75	12.5	14.75	8.75	15.15	53398-0829	8
8.6	9.3	10.5	11.25	13.5	7.5	13.9	53398-0729	7
7.35	8.05	9.25	10	12.25	6.25	12.65	53398-0629	6
6.1	6.8	8	8.75	11	5	11.4	53398-0529	5
4.85	5.55	6.75	7.5	9.75	3.75	10.15	53398-0429	4
3.6	4.3	5.5	6.25	8.5	2.5	8.9	53398-0329	3
2.35	3.05	4.25	5	7.25	1.25	7.65	53398-0229	2
G	F	E	D	C	B	A	MATERIAL NO.	CIRCUITS

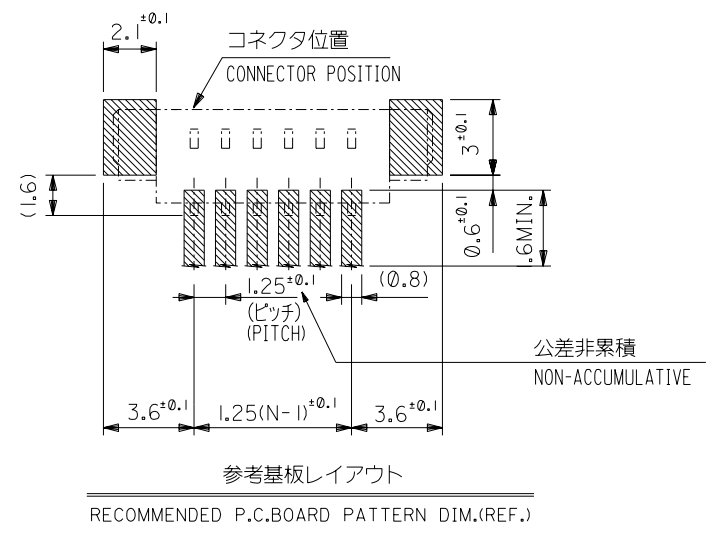
DO NOT SCALE DRAWING

EC NO. DRWN: CHK: APPR:	EC NO. DRWN: CHK: APPR:	EC NO. DRWN: CHK: APPR:	EC NO. DRWN: CHK: APPR:	EC NO. DRWN: CHK: APPR:	EC NO. J2004-2404 DRWN: Y.SAKIYAMA CHK: M.SASAO APPR: M.SASAO	RELEASED '04/02/12	MATERIAL 材料 SEE DRAWING	GENERAL TOLERANCES: (UNLESS SPECIFIED) 一般公差 10 UNDER 未満 ±0.2 10 OVER 30 UNDER 未満 ±0.25 30 OVER 以上 ±0.3	SCALE DESIGN UNITS THIRD ANGLE PROJECTION	MODEL NO. 53398-**29	DIMENSIONS: mm INCH mm INCH mm ONLY	SHT REV
					FINISH 仕上げ		WIRE RANGE 適用電線範囲			TITLE: 1.25 WIRE TO BOARD CONN. WAFER ASS'Y FOR SMT (ST.) WITH COVER -LEAD FREE-		
					INS. RANGE 被覆外径		ANGLE 角度 ±3°			MATERIAL NO. SD-53398-034.S01	DRAWING NO. SD-53398-034	SHEET NO. 1 OF 2
THIS DRAWING CONTAINS INFORMATION THAT IS PROPRIETARY TO MOLEX INCORPORATED AND SHOULD NOT BE USED WITHOUT WRITTEN PERMISSION.											SIZE B	

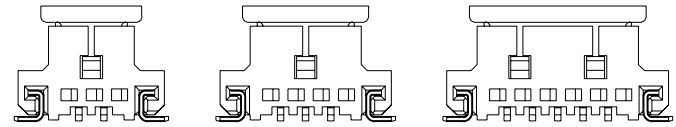
SD-53398-034.S01



カバーなしの場合 (53398-**19)
IN CASE OF WITHOUT COVER



公差非累積
NON-ACCUMULATIVE



2極 2 CKT.
3極 3 CKT.
4極以上 OVER 4 CKT.

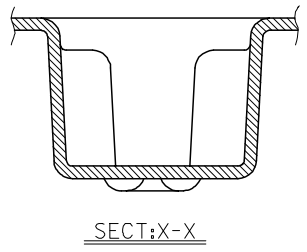
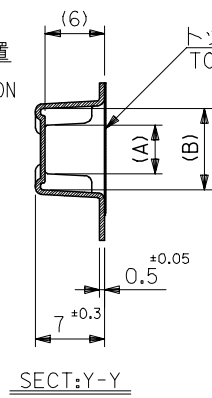
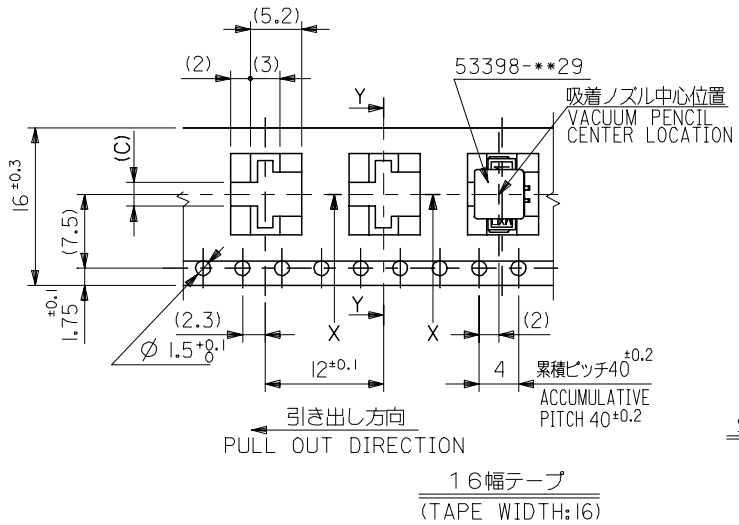
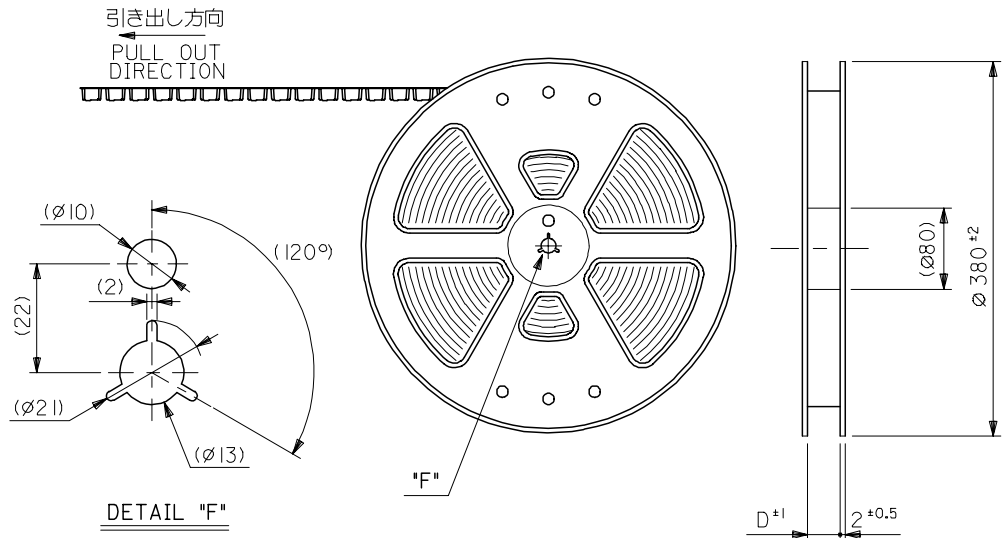
ロック形状図
LOCK CONFIGURATION

NOTES

△ ロック窓は、2、3極は1ヶ所、4極以上は2ヶ所とする。
LOCKING WINDOW : ONE PLACE FOR 2&3 CKTS.
TWO PLACES FOR MORE THAN 4 CKTS.

DO NOT SCALE DRAWING

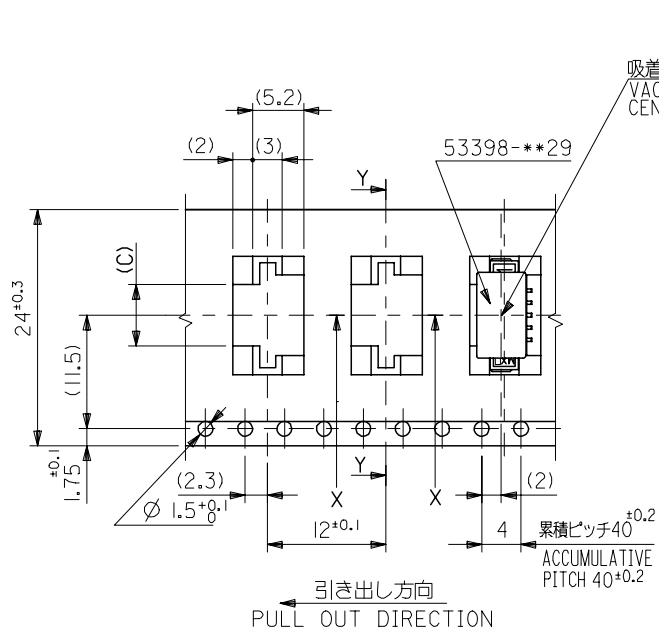
EC NO. DRWN: CHK: APPR:	EC NO. DRWN: CHK: APPR:	EC NO. DRWN: CHK: APPR:	EC NO. DRWN: CHK: APPR:	EC NO. DRWN: CHK: APPR:	RELEASED '04/02/12 EC NO. J2004-2404 DRWN: Y.SAKIYAMA CHK: M.SASAO APPR: M.SASAO	DESCRIPTION	MATERIAL 材料	SEE NOTES	GENERAL TOLERANCES: (UNLESS SPECIFIED) 一般公差	SCALE	MODEL NO.	53398-**29	DIMENSIONS:	SHT	REV	
							FINISH 仕上げ	—	10 UNDER 未満	±0.2	DESIGN UNITS	mm □ INCH	THIRD ANGLE PROJECTION	mm □ INCH	mm □ ONLY	REVISE ON CAD ONLY
							WIRE RANGE 適用電線範囲	—	10 OVER 30 UNDER 以上 未満	±0.25	DRAWN BY & DATE	Y.SAKIYAMA '04/02/12	TITLE:	1.25 WIRE TO BOARD CONN. WAFER ASS'Y FOR SMT (ST.) WITH COVER -LEAD FREE-		
							INS. RANGE 被覆外径	—	30 OVER 以上	±0.3	CHECKED BY & DATE	M.SASAO '04/02/12	MOLEX	MOLEX INCORPORATED		
								ANGLE 角度	±3°	CAD FILENAME	SD-53398-034.S02	MATERIAL NO.	DRAWING NO.	SHEET NO.		
								THIS DRAWING CONTAINS INFORMATION THAT IS PROPRIETARY TO MOLEX INCORPORATED AND SHOULD NOT BE USED WITHOUT WRITTEN PERMISSION.							SIZE	B



- NOTES**
- 梱包数量：1000個/リール
NUMBER OF CONNECTOR: 1000PCS/REEL
 - リードテープ長さ
LEAD TAPE LENGTH
トップテープ未接着部
TOP TAPE NON-BONDED PART
25 ± 10
空エンボス 20 ~ 25PCS.
NUMBER OF EMPTY PART
部品挿入部
COMPONENT SUPPLIER
480 ± 80
末端部(空部)
TAIL PART (EMPTY)
360 ± 35
引出し方向
PULL OUT DIRECTION
剥離方向
PEEL OFF DIRECTION
10°
 - トップテープの剥離強度：0.6 ± 0.35N (60 ± 35gf) (剥離方向は下図参照)
PEELING OFF FORCE OF TOP TAPE: 0.6 ± 0.35N (60 ± 35gf)
(PEELING DIRECTION IS SHOWN IN FOLLOWING FIG.)
<剥離速度：300mm/min (参考)>
PEELING SPEED: 300mm/min. (REFERENCE)
 - 53398-***29の詳細寸法については図面 SD-53398-034 を参照下さい。
RE DETAILED DIMENSIONS, SEE SD-53398-034.
 - 材料 (MATERIAL)
キャリアテープ (CARRIER TAPE): ポリプロピレン (POLYPROPYLENE)
トップテープ (TOP TAPE): PET, PE, PEF
リール (REEL): ポリスチレン (PS) <リサイクル材含む>
POLYSTYRENE (PS) <RECYCLE MATERIAL CONTAINED>
 - 本製品は53398-***80の鉛フリー品である。
THIS PRODUCT IS LEAD FREE OF 53398-***80.

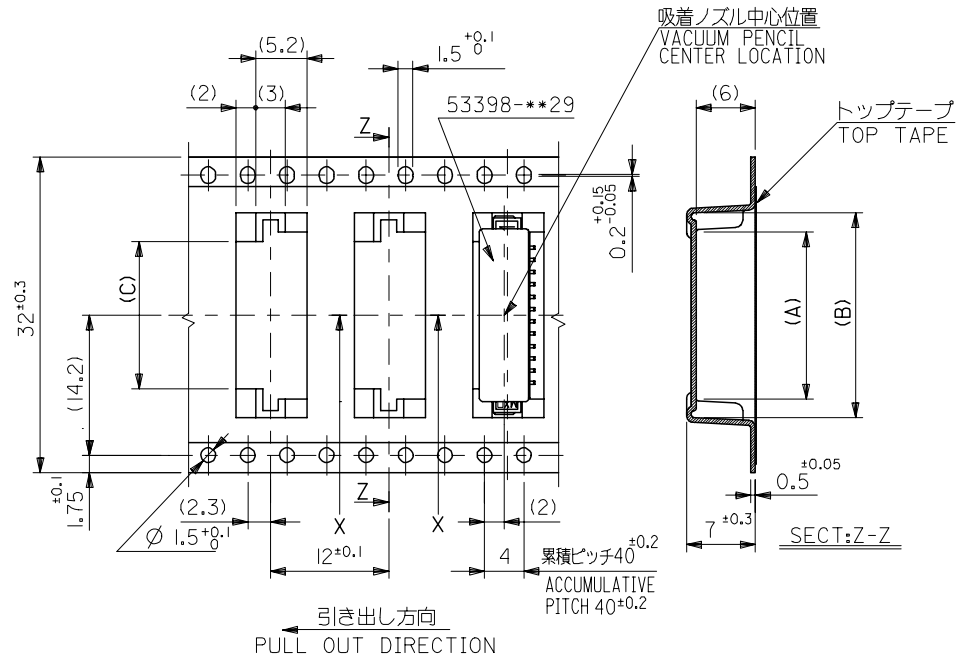
	32	33.4	14.95	20.75	17.05	53398-1267	12
			9.95	15.75	12.05	53398-0867	8
			8.7	14.5	10.8	53398-0767	7
24	25.4		7.45	13.25	9.55	53398-0667	6
			6.2	12	8.3	53398-0567	5
			4.95	10.75	7.05	53398-0467	4
			3.7	9.5	5.8	53398-0367	3
	16	17.4	2.45	8.25	4.55	53398-0267	2
キャリアテープ幅 CARRIER TAPE WIDTH		D	(C)	(B)	(A)	MATERIAL NO.	CIRCUITS

REVISED EC NO: 2004/07/28 DRAWN: MERI GUCH 2004/07/28 CHKD: K. ASAKAWA 2004/07/30 APPR: S. CHIKAWA	GENERAL TOLERANCES (UNLESS SPECIFIED)		DIMENSION STYLE MM ONLY		SCALE ---	DESIGN UNITS METRIC	THIRD ANGLE PROJECTION
	10 UNDER	±0.2	DRAWN BY J. SASAMO	DATE 2004/7/22	TITLE EMBSTP PKG FOR 1.25 W/B CONN. WAFER ASSY -LEAD FREE-		
	10 OVER 30 UNDER	±0.25	CHECKED BY K. TOJO	DATE 2004/7/22	MOLEX INCORPORATED		
	30 OVER	±0.3	APPROVED BY N. UKITA	DATE 2004/7/22	DOCUMENT NO. SD-53398-035		
	ANGULAR	±3 °	MATERIAL NO. SEE CHART		SHEET NO. 1 OF 2		
A	DRAFT WHERE APPLICABLE MUST REMAIN WITHIN DIMENSIONS		SIZE A3		THIS DRAWING CONTAINS INFORMATION THAT IS PROPRIETARY TO MOLEX INCORPORATED AND SHOULD NOT BE USED WITHOUT WRITTEN PERMISSION		



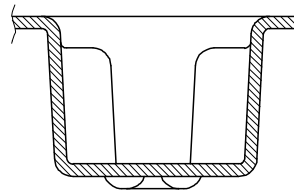
引き出し方向
PULL OUT DIRECTION

24幅テープ
(TAPE WIDTH:24)



引き出し方向
PULL OUT DIRECTION

32幅テープ
(TAPE WIDTH:32)



SECT:X-X

REVISED EC NO: 2004/07/28 DRAWN:MERI GUCH 2004/07/28 CHKD:K. ASAKAW 2004/07/30 APPR:S. CHIKAW	GENERAL TOLERANCES (UNLESS SPECIFIED)		DIMENSION STYLE MM ONLY		SCALE ---	DESIGN UNITS METRIC	THIRD ANGLE PROJECTION
	10 UNDER	±0.2	DRAWN BY J. SASAMO	DATE 2004/7/22	TITLE EMBSTP PKG FOR 1.25 W/B CONN. WAFER ASSY -LEAD FREE-		
	10 OVER 30 UNDER	±0.25	CHECKED BY K. TOJO	DATE 2004/7/22	MOLEX INCORPORATED		
	30 OVER	±0.3	APPROVED BY N. UKITA	DATE 2004/7/22	DOCUMENT NO. SD-53398-035		
	ANGULAR	±3 °	MATERIAL NO.	SEE CHART		SHEET NO. 2 OF 2	
A	DRAFT WHERE APPLICABLE MUST REMAIN WITHIN DIMENSIONS		SIZE A3			THIS DRAWING CONTAINS INFORMATION THAT IS PROPRIETARY TO MOLEX INCORPORATED AND SHOULD NOT BE USED WITHOUT WRITTEN PERMISSION	

X-ON Electronics

Largest Supplier of Electrical and Electronic Components

Click to view similar products for [Headers & Wire Housings](#) category:

Click to view products by [Molex](#) manufacturer:

Other Similar products are found below :

[95000-104TRLF](#) [10135584-644402LF](#) [DF62W-EP2022PCA](#) [95000-106TRLF](#) [DF62W-2022SCA](#) [DF62W-EP2022PC](#) [2203348](#) [DF62W-2022SC](#) [1084018](#) [1029039](#) [1084017](#) [802-10-012-10-002000](#) [1112640](#) [1112639](#) [000-34000](#) [0009482033](#) [0009507031](#) [57102-S06-03LF](#) [57202-S52-04LF](#) [PCN6-15S-2.5E](#) [0039019024](#) [58102-G61-06LF](#) [582553-1](#) [0009485154](#) [0009508121](#) [0022285053](#) [0050291907](#) [018731A](#) [LY20-4P-DT1-P1E-BR](#) [02.125.8002.8](#) [60101931](#) [60598-1 \(Cut Strip\)](#) [M1625-3R/100](#) [61062-3](#) [61082-181009](#) [636-1427](#) [638009-1](#) [641938-9](#) [641991-4](#) [644168-1](#) [647662-1](#) [65039-019ELF](#) [65817-002LF](#) [65817-015LF](#) [65863-015LF](#) [66207-023LF](#) [67016-026LF](#) [67046-001LF](#) [67095-007LF](#) [67230-005LF](#)