

DO NOT SCALE DRAWING
DIMENSION IN METRIC

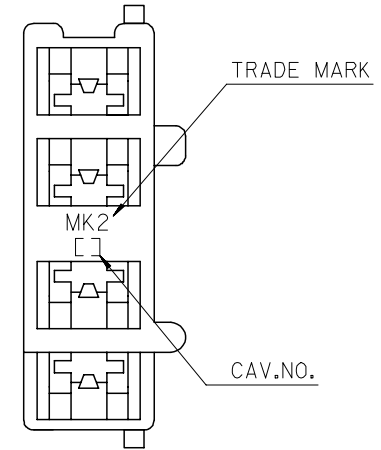
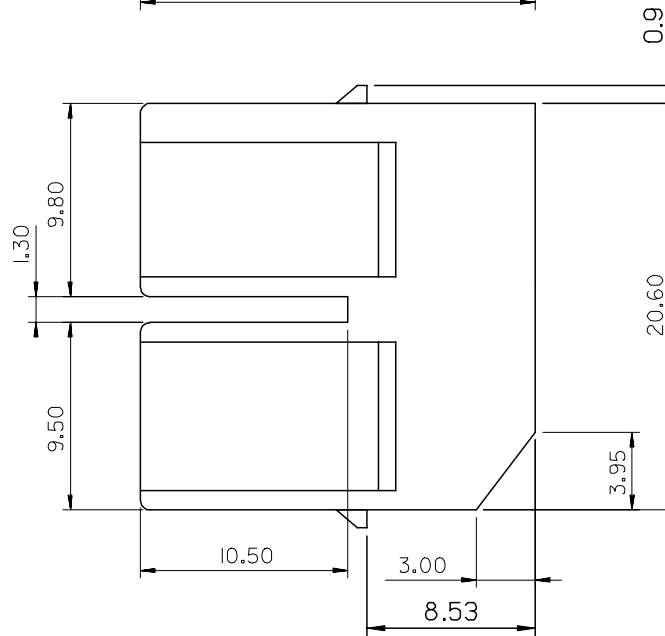
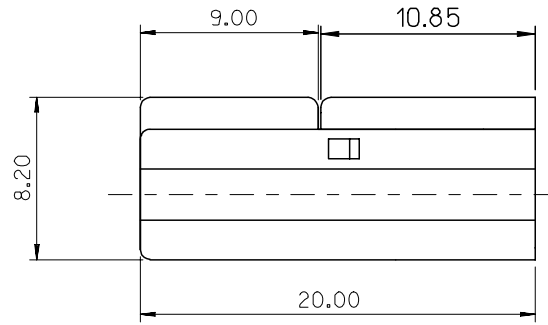
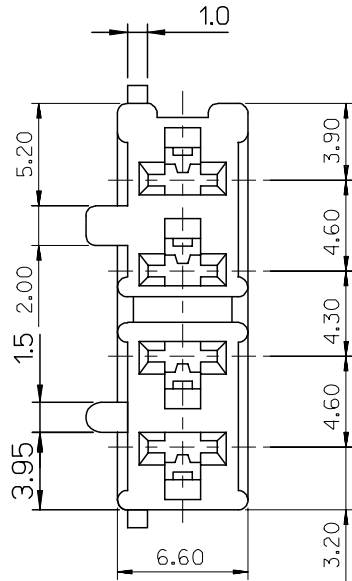
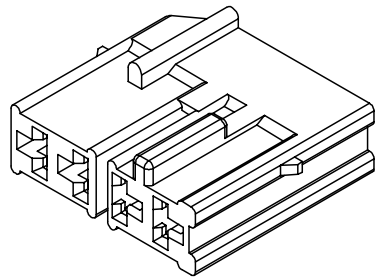
DWG. NO.
SD-3554-001

SIMILAR ITEM

PROJECT NO.

C

B



NOTES

1. MATERIALS

ENG.NO.	MATERIAL	COLOR
35544-0400	POLYESTER (PBT) UL94V-0	NATURAL (WHITE)
35544-9400	PBT/PC,UL94V-0	

2. APPLICABLE TERMINAL : .110 SLIP-ON REC'
35711-07*0/08*0

REVISED EC NO. KOR 2005-0203 DRWN: JB.JIN 05/08/05 CHK: W.Y.YANG APPR: C.W.LEE	DESCRIPTION	QUALITY SYMBOLS	GENERAL TOLERANCES: (UNLESS SPECIFIED)	SCALE 4:1	DESIGN UNITS <input checked="" type="checkbox"/> mm <input type="checkbox"/> INCH	THIRD ANGLE PROJECTION	DIMENSIONS: <input type="checkbox"/> mm <input type="checkbox"/> INCH <input type="checkbox"/> mm <input type="checkbox"/> INCH	SHT	REV
		MAJOR = 0 CRITICAL = 0	mm INCH	DRAWN BY & DATE W.Y.YANG 97/10/30	TITLE: .110 HOUSING-4P (FOR DOOR SWITCH)				
REV	DESCRIPTION	4 PLACES	±0.	±.	CHECKED BY & DATE B.K.CHOI 97/10/30	MATERIAL NO. SEE TABLE	DRAWING NO. SD-35544-001	SHEET NO. 1/1	REV
		3 PLACES	±0.	±.	APPROVED BY & DATE C.W.LEE 97/10/30				
		2 PLACES	±0.30	±.	CAD FILENAME S35544AA.DGN	MOLEX INCORPORATED			
		1 PLACE	±0.30	±.	THIS DRAWING CONTAINS INFORMATION THAT IS PROPRIETARY TO MOLEX INCORPORATED AND SHOULD NOT BE USED WITHOUT WRITTEN PERMISSION.		SIZE B		
		DRAFT WHERE APPLICABLE MUST REMAIN WITHIN DIMENSIONS		ANGULAR: ± 3.0°				MX-A3	

X-ON Electronics

Largest Supplier of Electrical and Electronic Components

Click to view similar products for [Headers & Wire Housings](#) category:

Click to view products by [Molex](#) manufacturer:

Other Similar products are found below :

[95000-104TRLF](#) [10135584-644402LF](#) [DF62W-EP2022PCA](#) [95000-106TRLF](#) [DF62W-2022SCA](#) [DF62W-EP2022PC](#) [2203348](#) [DF62W-2022SC](#) [1084018](#) [1029039](#) [1084017](#) [802-10-012-10-002000](#) [1112640](#) [1112639](#) [000-34000](#) [0009482033](#) [0009507031](#) [57102-S06-03LF](#) [57202-S52-04LF](#) [PCN6-15S-2.5E](#) [0039019024](#) [58102-G61-06LF](#) [582553-1](#) [0009485154](#) [0009508121](#) [0022285053](#) [0050291907](#) [018731A](#) [LY20-4P-DT1-P1E-BR](#) [02.125.8002.8](#) [60101931](#) [60598-1 \(Cut Strip\)](#) [M1625-3R/100](#) [61062-3](#) [61082-181009](#) [636-1427](#) [638009-1](#) [641938-9](#) [641991-4](#) [644168-1](#) [647662-1](#) [65039-019ELF](#) [65817-002LF](#) [65817-015LF](#) [65863-015LF](#) [66207-023LF](#) [67016-026LF](#) [67046-001LF](#) [67095-007LF](#) [67230-005LF](#)