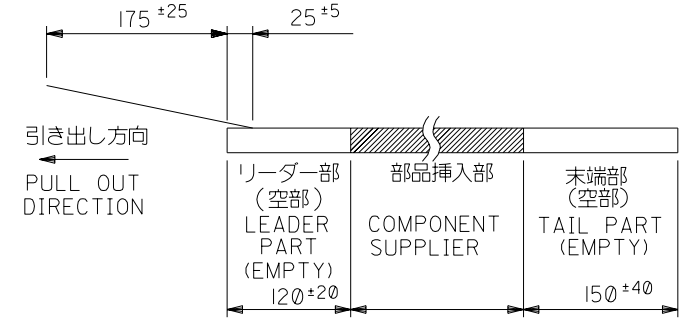
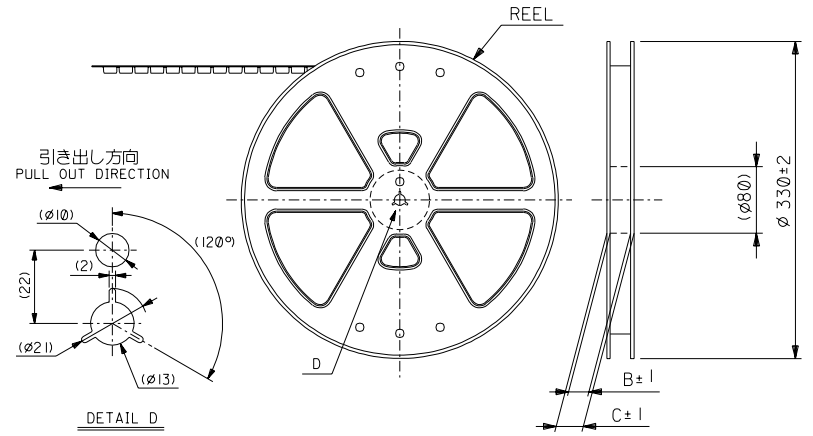


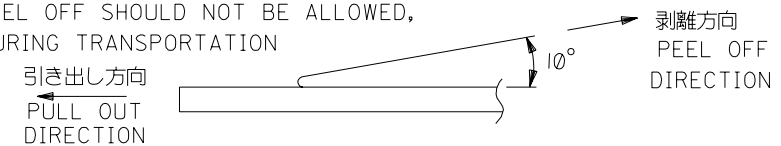
注記 NOTES

1. 梱包数量：1000個/リール NUMBER OF CONNECTORS:1000PCS/REEL
2. リードテープ長さ LEAD TAPE LENGTH
 トップテープ TOP TAPE
 リーダー部 LEADER PART トップテープ TOP TAPE
 未接着部 NON-BONDED PART



3. トップテープの剥離強度：(剥離方向は下図参照)
 0.1N~1.3N {10gf~130gf} 尚、本規格値は、出荷時に適用。
 (但し、輸送時に剥離が発生しない事。)

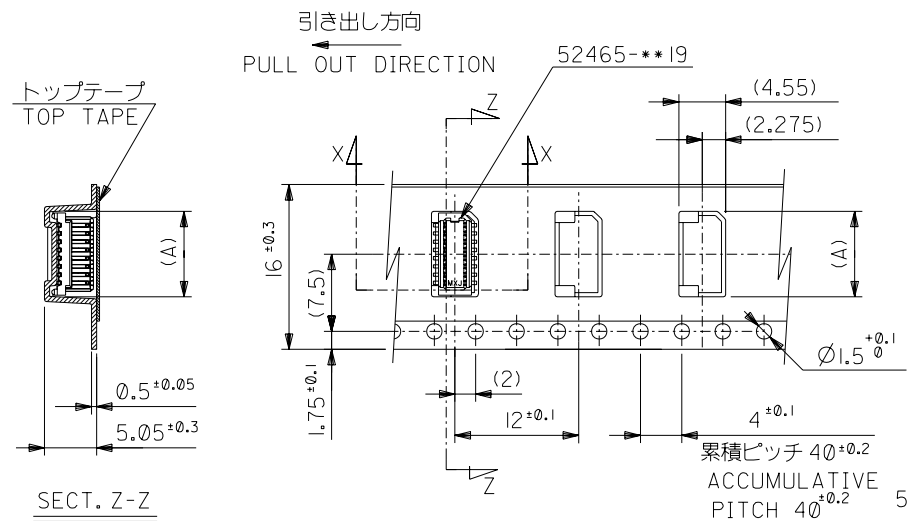
PEELING OFF FORCE OF TOP TAPE
 0.1N ~ 1.3N (10gf ~ 130gf) (PEELING DIRECTION AS SHOWN IN FOLLOWING FIG.)
 THIS REQUIREMENT SHOULD BE APPLIED AT SHIPMENT
 PEEL OFF SHOULD NOT BE ALLOWED, DURING TRANSPORTATION



4. 材料 キャリアテープ：ポリプロピレン (PP)
 トップテープ：PET, PE, PEF
 リール：ポリスチレン (PS) <リサイクル材を含む>

MATERIAL
 CARRIER TAPE:POLYPROPYLENE
 TOP TAPE:PET,PE,PEF
 REEL:POLYSTYREN(PS)
 <RECYCLE MATERIAL CONTAINED>

5. 本製品は52465-**-90の鉛フリー品である。
 THIS PRODUCT IS LEAD FREE OF 52465-**-90



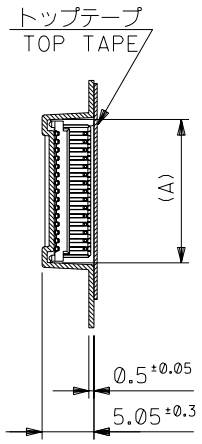
16mm幅キャリアテープ
 16mm WIDTH CARRIER TAPE

16	21.4	17.4	9.1	52465-1870	18
			8.3	52465-1670	16
			7.5	52465-1470	14
			6.7	52465-1270	12
			5.9	52465-1070	10
キャリアテープ幅 CARRIER TAPE WIDTH	C	B	(A)	MATERIAL. NO.	極数 CIRCUIT

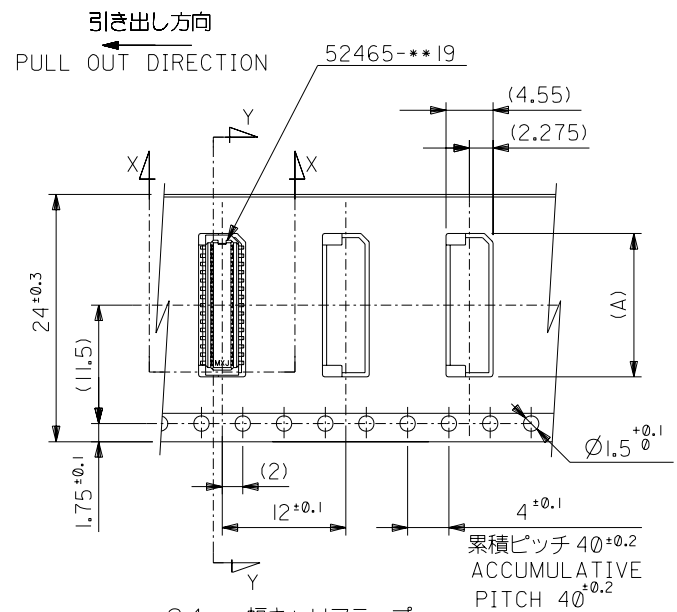
52465-**-70		MODEL NO.	材料 MATERIAL		注記参照 SEE NOTES	molex MOLEX-JAPAN CO.,LTD. 日本モレックス株式会社
			仕上げ FINISH			
			適用電線範囲 WIRE RANGE		TITLE 名称	0.8 B+B Conn Hsg Assy
			被覆外径 INS. RANGE			SMT W/Boss Embstp Pkg
			DRAWN BY '04/02/16 H.SHIMABUKURO		CHK'D BY '04/02/16 K.TOJO	-LEAD FREE-
			DR. APP'D BY '04/02/16 M.SASAO		尺 度 SCALE	DWG. NO. (SHEET 1 OF 2) REV
角度 ANGLE		±3°	記号 LTR		変更内容 REVISION RECORD	SD-52465-024 0
30°以上 OVER		+0.5	新規作成 (0204-2322)		DATE	
10°以上 30°未満 UNDER		+0.25	DR. CHK.		DATE	
10°未満 UNDER		+0.2				
一般公差 GENERAL TOLERANCES						

DIMENSIONS IN METRIC DO NOT SCALE DRAWING

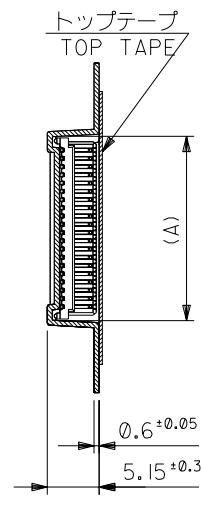
SD-52465024S01



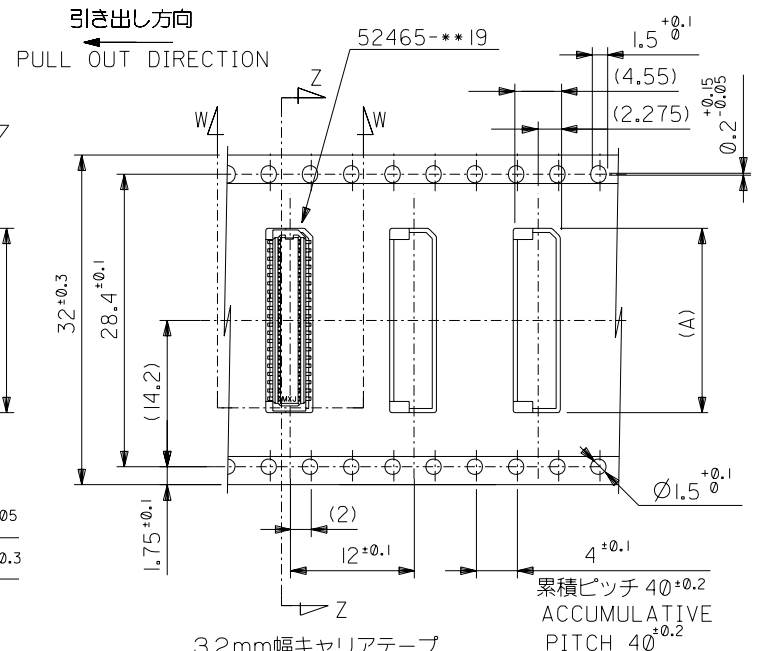
SECT. Y-Y



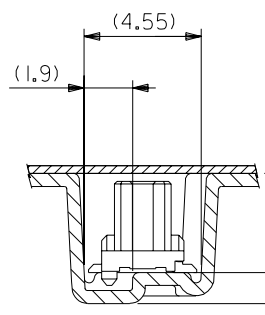
24mm幅キャリアテープ
24mm WIDTH CARRIER TAPE



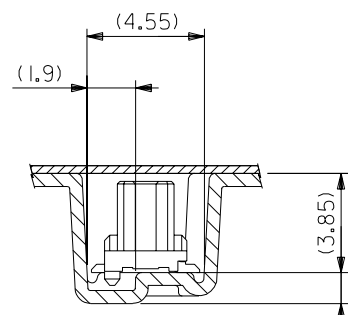
SECT. Z-Z



32mm幅キャリアテープ
32mm WIDTH CARRIER TAPE



SECT. X-X
(SCALE; 5:1)



SECT. W-W
(SCALE; 5:1)

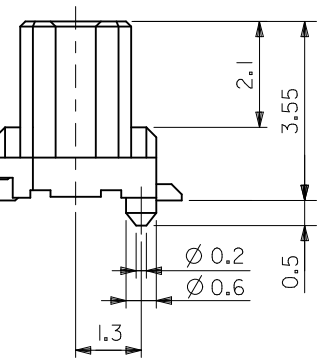
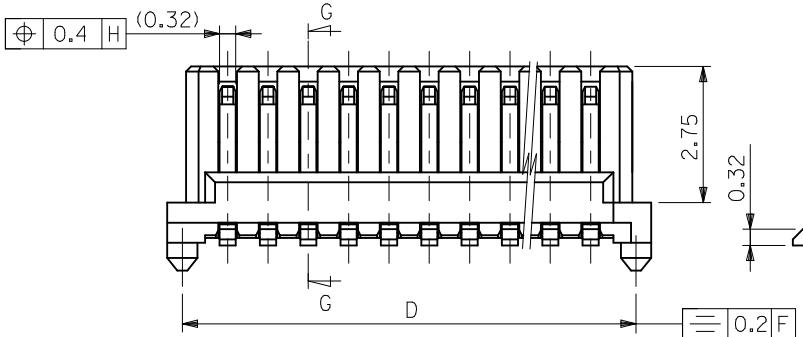
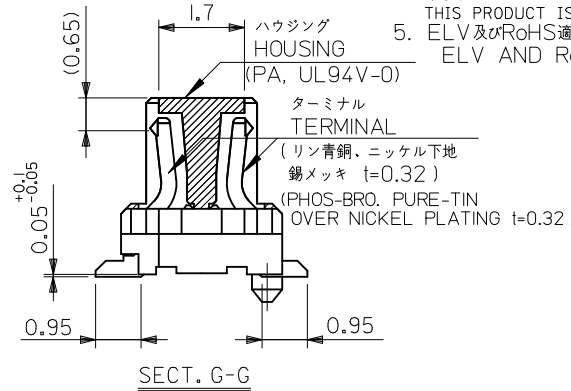
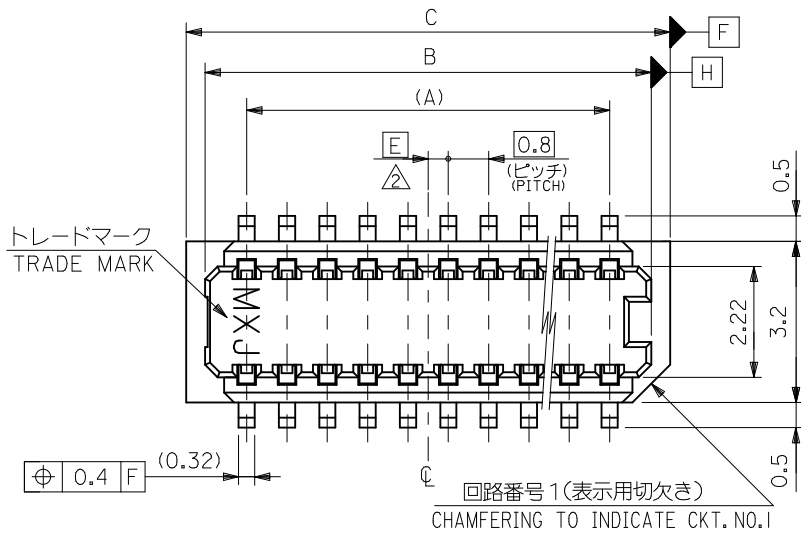
32	37.4	33.4	17.9	52465-4070	40
			17.1	52465-3870	38
24	29.4	25.4	16.3	52465-3670	36
			15.5	52465-3470	34
			14.7	52465-3270	32
			13.9	52465-3070	30
			13.1	52465-2870	28
			12.3	52465-2670	26
			11.5	52465-2470	24
			10.7	52465-2270	22
			9.9	52465-2070	20
			キャリアテープ幅 CARRIER TAPE WIDTH		
			MATERIAL NO.	極数 CIRCUIT	

52465-***70 MODEL NO.		材料 MATERIAL	
角度 ANGLE ±3°		SHEET 1 OF 2 参照 REFER TO SHEET 1 OF 2	
30以上 OVER ±0.5		仕上げ FINISH //	
10以上 30未満 UNDER ±0.25		適用電線範囲 WIRE RANGE //	
未満 10 UNDER ±0.2		被覆外径 INS. RANGE //	
一般公差 GENERAL TOLERANCES	記号 LTR	変更内容 REVISION RECORD	日付 DATE
	0	新規作成 (J2004-2322) RELEASED	04/26
		H.S.M.	M.S.
		DR. CHK.	日付 DATE
		M.SASAO	04/02/16
		APP'D BY	CHK'D BY
		M.SASAO	K.TOJO
		尺度 SCALE //	

材料 MATERIAL		MATERIAL NO.	
SHEET 1 OF 2 参照 REFER TO SHEET 1 OF 2		極数 CIRCUIT	
仕上げ FINISH //		MATERIAL NO.	
適用電線範囲 WIRE RANGE //		極数 CIRCUIT	
被覆外径 INS. RANGE //		MATERIAL NO.	
DRAWN BY 04/02/16 H.SHIMABUKURO		MATERIAL NO.	
CHK'D BY 04/02/16 K.TOJO		MATERIAL NO.	
APP'D BY 04/02/16 M.SASAO		MATERIAL NO.	
尺度 SCALE //		MATERIAL NO.	
DWG. NO. (SHEET 2 OF 2)		REV	
SD-52465-024		0	

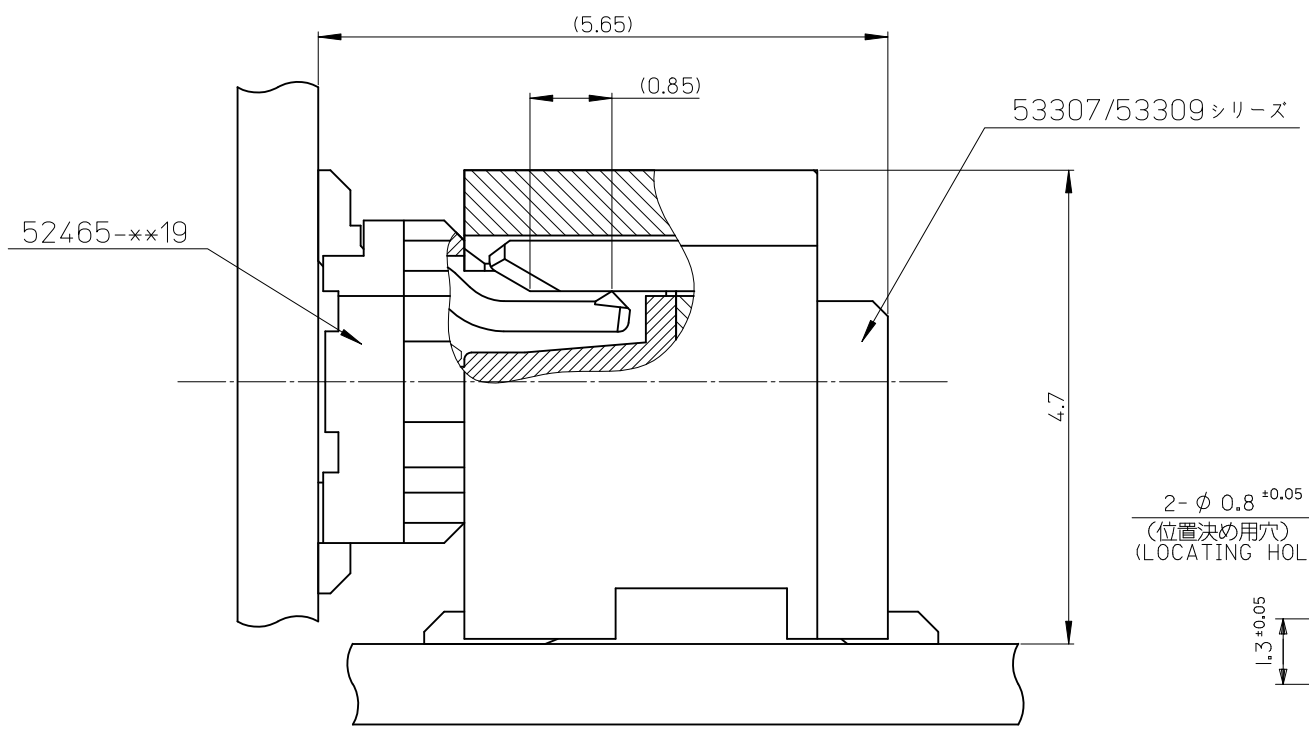
注記 NOTES

1. 嵌合相手: 53307-シリーズ, 53309-シリーズ
MATES WITH 53307, 53309 SERIES.
2. ハウジングの ϕ から隣接するターミナルの ϕ 迄の位置を示す。
SHOW POSITION FROM ϕ OF HOUSING TO ϕ OF ADJACENT TERMINALS.
3. 一对の基板の嵌合に於いて、本製品を2個以上使用することは推奨できません。
MXJ DOES NOT RECOMMEND THE USAGE OF TWO OR MORE OF THESE CONNECTORS BETWEEN A SINGLE PAIR OF P. C. BOARD.
4. 本製品は52465-***17の鉛フリー品である。
THIS PRODUCT IS LEAD FREE OF 53465-***17.
5. ELV及びRoHS適合品
ELV AND RoHS COMPLIANT

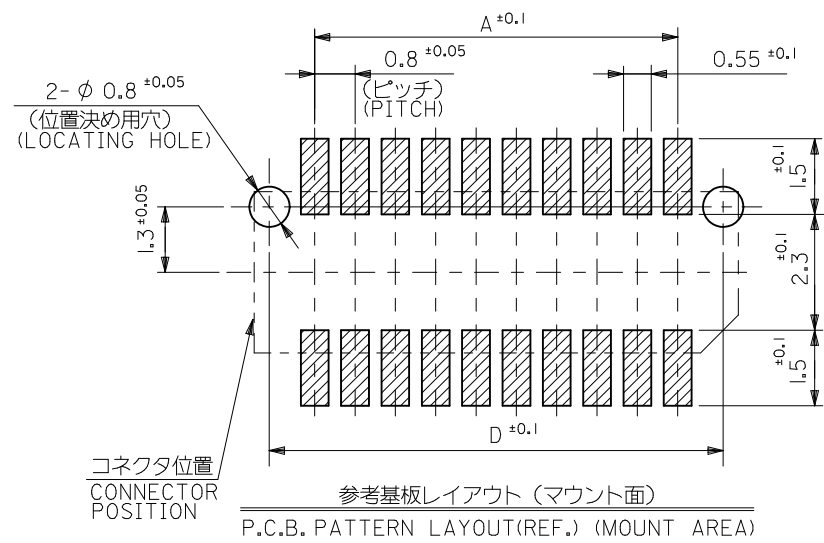


0.4	17.0	17.6	16.85	15.2	52465-4070	52465-4019	40
0.8	16.2	16.8	16.05	14.4	-3870	-3819	38
0.4	15.4	16.0	15.25	13.6	-3670	-3619	36
0.8	14.6	15.2	14.45	12.8	-3470	-3419	34
0.4	13.8	14.4	13.65	12.0	-3270	-3219	32
0.8	13.0	13.6	12.85	11.2	-3070	-3019	30
0.4	12.2	12.8	12.05	10.4	-2870	-2819	28
0.8	11.4	12.0	11.25	9.6	-2670	-2619	26
0.4	10.6	11.2	10.45	8.8	-2470	-2419	24
0.8	9.8	10.4	9.65	8.0	-2270	-2219	22
0.4	9.0	9.6	8.85	7.2	-2070	-2019	20
0.8	8.2	8.8	8.05	6.4	-1870	-1819	18
0.4	7.4	8.0	7.25	5.6	-1670	-1619	16
0.8	6.6	7.2	6.45	4.8	-1470	-1419	14
0.4	5.8	6.4	5.65	4.0	-1270	-1219	12
0.8	5.0	5.6	4.85	3.2	52465-1070	52465-1019	10

REVISED EC NO: J2010-0755 DRWN:KT Oyoda 2009/12/18 CHK'D:SMARUYAMA 2010/03/24 APPR:MSASAO 2010/03/25	52465-***19	E	D	C	B	A	EMBOSSED TAPE	MATERIAL NO.	極数 CKT.	
	MODEL NO.	GENERAL TOLERANCES (UNLESS SPECIFIED)				DIMENSION STYLE		SCALE	DESIGN UNITS	THIRD ANGLE PROJECTION
	DESCRIPTION	10 UNDER ±0.20		10 OVER 30 UNDER ±0.25		MM ONLY		---	METRIC	☉
	REV	30 OVER ±0.30		ANGULAR ±3 °		DRAWN BY DATE		TITLE		
	DRAFT WHERE APPLICABLE MUST REMAIN WITHIN DIMENSIONS		SEE TABLE		HSHIMABUKURO '04/02/06		0.8 BOARD TO BOARD CONN. HOUSING ASSY SMT			
					CHECKED BY DATE		MOLEX INCORPORATED			
					KTOJO '04/02/06		SD-52465-025			
					APPROVED BY DATE		SHEET NO.			
					MSASAO '04/02/06		1 OF 2			
					MATERIAL NO.		THIS DRAWING CONTAINS INFORMATION THAT IS PROPRIETARY TO MOLEX INCORPORATED AND SHOULD NOT BE USED WITHOUT WRITTEN PERMISSION			



有効嵌合長 (参考)
EFFECTIVE MATING LENGTH
(REFERENCE)



REVISED EC NO: J2010-0755 DRW:KTOYODA 2009/12/18 CHK:D.SMARUYAMA 2010/03/24 APPR:MSASAO 2010/03/25	GENERAL TOLERANCES (UNLESS SPECIFIED)		DIMENSION STYLE MM ONLY		SCALE ---	DESIGN UNITS METRIC	THIRD ANGLE PROJECTION
	10 UNDER	±0.20	DRAWN BY HSHIMABUKURO	DATE '04/02/06	TITLE 0.8 BOARD TO BOARD CONN. HOUSING ASSY SMT		
	10 OVER 30 UNDER	±0.25	CHECKED BY KTOJO	DATE '04/02/06			
	30 OVER	±0.30	APPROVED BY MSASAO	DATE '04/02/06	MOLEX INCORPORATED DOCUMENT NO. SD-52465-025 SHEET NO. 2 OF 2		
ANGULAR ±3 °		MATERIAL NO. SEE TABLE					
DRAFT WHERE APPLICABLE MUST REMAIN WITHIN DIMENSIONS		SIZE A3 THIS DRAWING CONTAINS INFORMATION THAT IS PROPRIETARY TO MOLEX INCORPORATED AND SHOULD NOT BE USED WITHOUT WRITTEN PERMISSION					

X-ON Electronics

Largest Supplier of Electrical and Electronic Components

Click to view similar products for [Headers & Wire Housings](#) category:

Click to view products by [Molex](#) manufacturer:

Other Similar products are found below :

[95000-104TRLF](#) [10135584-644402LF](#) [DF62W-EP2022PCA](#) [95000-106TRLF](#) [DF62W-2022SCA](#) [DF62W-EP2022PC](#) [2203348](#) [DF62W-2022SC](#) [1084018](#) [1029039](#) [1084017](#) [802-10-012-10-002000](#) [1112640](#) [1112639](#) [000-34000](#) [0009482033](#) [0009507031](#) [57102-S06-03LF](#) [57202-S52-04LF](#) [PCN6-15S-2.5E](#) [0039019024](#) [58102-G61-06LF](#) [582553-1](#) [0009485154](#) [0009508121](#) [0022285053](#) [0050291907](#) [018731A](#) [LY20-4P-DT1-P1E-BR](#) [02.125.8002.8](#) [60101931](#) [60598-1 \(Cut Strip\)](#) [M1625-3R/100](#) [61062-3](#) [61082-181009](#) [636-1427](#) [638009-1](#) [641938-9](#) [641991-4](#) [644168-1](#) [647662-1](#) [65039-019ELF](#) [65817-002LF](#) [65817-015LF](#) [65863-015LF](#) [66207-023LF](#) [67016-026LF](#) [67046-001LF](#) [67095-007LF](#) [67230-005LF](#)