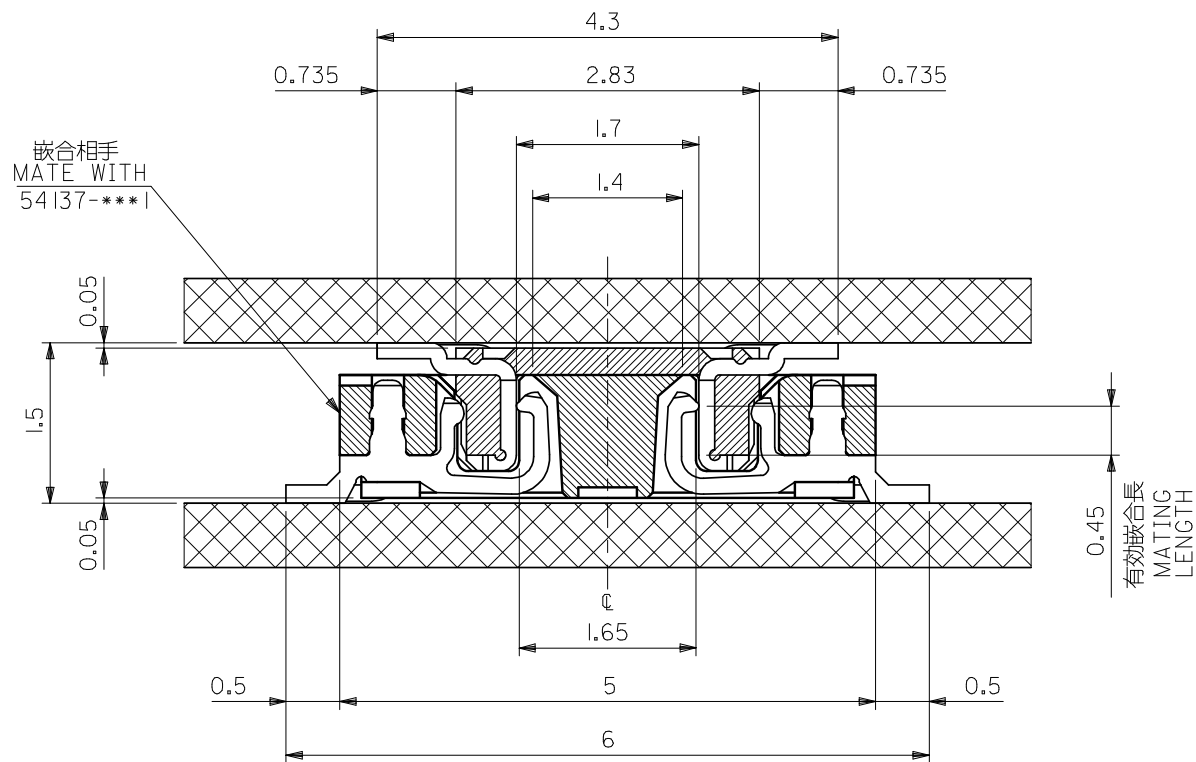


注記 NOTES:

1. 使用材料 MATERIAL
 ウエハー: 液晶ポリマー ガラス充填 UL94V-0 (黒)
 WAFER: LIQUID CRYSTAL POLYMER (GLASS FILLED) UL94V-0 (COLOR: BLACK)
 ピン: 黄銅 (t=0.15)
 PIN: BRASS (t=0.15)
 金具: リン青銅 (t=0.15)
 FITTING NAIL: PHOSPHOR BRONZE (t=0.15)
2. メッキ仕様 PLATING
 ピン PIN:
 金メッキ 0.25マイクロメートル以上 (コンタクト部)
 GOLD 0.25MICROMETER MINIMUM (CONTACT AREA)
 金メッキ 0.4マイクロメートル以下 (テール部)
 GOLD 0.4MICROMETER MAXIMUM (TAIL AREA)
 下地メッキ: ニッケルメッキ 1.5マイクロメートル以上
 UNDER PLATING: NICKEL 1.5MICROMETER MINIMUM
 金具 FITTING NAIL:
 鍍メッキ 1.0マイクロメートル以上
 TIN 1.0MICROMETER MINIMUM
 下地メッキ: ニッケルメッキ 1.0マイクロメートル以上
 UNDER PLATING: NICKEL 1.0MICROMETER MINIMUM
3. (全極数/2) = 偶数の場合に適用。
 APPLY FOR (CIRCUIT/2) = EVEN.
- 4 嵌合相手: 54137 シリーズ
 MATE WITH: 54137 SERIES.
- 5 テールの平坦度は、0.08MAX。
 テール及び金具の平坦度は、0.1MAX。
 TAIL COPLANARITY TO BE 0.08MAX.
 TAIL AND NAIL COPLANARITY TO BE 0.1MAX.
- 6 テール部に適用。
 APPLY TO THE TAIL AREA.
- 7 ゲート部は、0.02MAX。
 FLASH OF GATE POSITION: 0.02MAX.
- 8 本製品は 53929-***1 の鉛フリー品である。
 THIS PRODUCT IS LEAD FREE OF 53929-***1.

27.75	25.55	24.5	53929-1071	100
22.75	20.55	19.5	53929-0871	80
20.25	18.05	17	53929-0771	70
C	B	A	MATERIAL NO.	Ck+

REVISED EC NO: J2008-3821 DRAWN: INOSHITA 2008/05/07 CHKD: HARUYAMA 2008/05/07 APPR: NUKITA 2008/05/12	GENERAL TOLERANCES (UNLESS SPECIFIED)		DIMENSION STYLE MM ONLY		SCALE ---	DESIGN UNITS METRIC	THIRD ANGLE PROJECTION	
	10 UNDER	±0.2	DRAWN BY H. KAWABATA	DATE '04/03/05	TITLE 0.5 B-TO-B CONN PLUG WITH NAIL -LEAD FREE-			
	10 OVER 30 UNDER	±0.25	CHECKED BY K. TOJO	DATE '04/03/05	MOLEX INCORPORATED			
	30 OVER	±0.3	APPROVED BY M. SASAO	DATE '04/03/05	DOCUMENT NO. SD-53929-005	SHEET NO. 1 OF 2		
	ANGULAR ±3°	DRAFT WHERE APPLICABLE MUST REMAIN WITHIN DIMENSIONS		SEE TABLE		THIS DRAWING CONTAINS INFORMATION THAT IS PROPRIETARY TO MOLEX INCORPORATED AND SHOULD NOT BE USED WITHOUT WRITTEN PERMISSION		

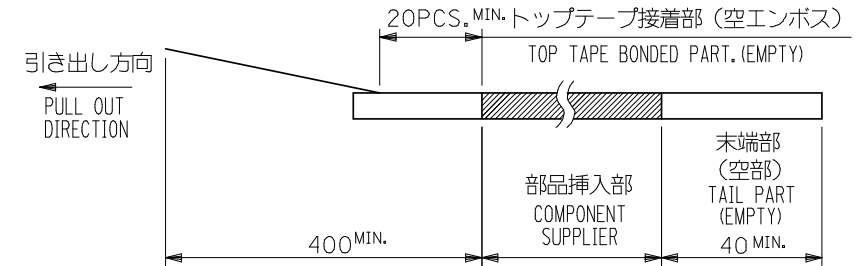


嵌合断面図 (参考)
MATED DRAWING (REF.)

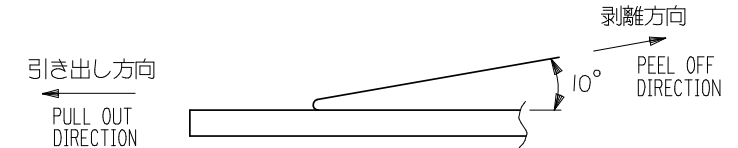
REVISED		EC NO: J2008-3821		DRWNK: INOSHITA 2008/05/07		CHKD: T. HARUYAMA 2008/05/07		APPR: NUKITA 2008/05/12		53929-***71		MODEL NO.	
GENERAL TOLERANCES (UNLESS SPECIFIED)				DIMENSION STYLE				SCALE		DESIGN UNITS		THIRD ANGLE PROJECTION	
10 UNDER ±0.2				MM ONLY				---		METRIC		◎ □	
10 OVER 30 UNDER ±0.25				DRAWN BY DATE				TITLE					
30 OVER ±0.3				H. KAWABATA '04/03/05				0.5 B-TO-B CONN PLUG WITH NAIL -LEAD FREE-					
ANGULAR ±3 °				CHECKED BY DATE				MOLEX MOLEX INCORPORATED					
DRAFT WHERE APPLICABLE MUST REMAIN WITHIN DIMENSIONS				M. SASAO '04/03/05				MATERIAL NO.		DOCUMENT NO.		SHEET NO.	
				SEE SHEET 1				SD-53929-005		2 OF 2			
THIS DRAWING CONTAINS INFORMATION THAT IS PROPRIETARY TO MOLEX INCORPORATED AND SHOULD NOT BE USED WITHOUT WRITTEN PERMISSION													

注記 NOTES.

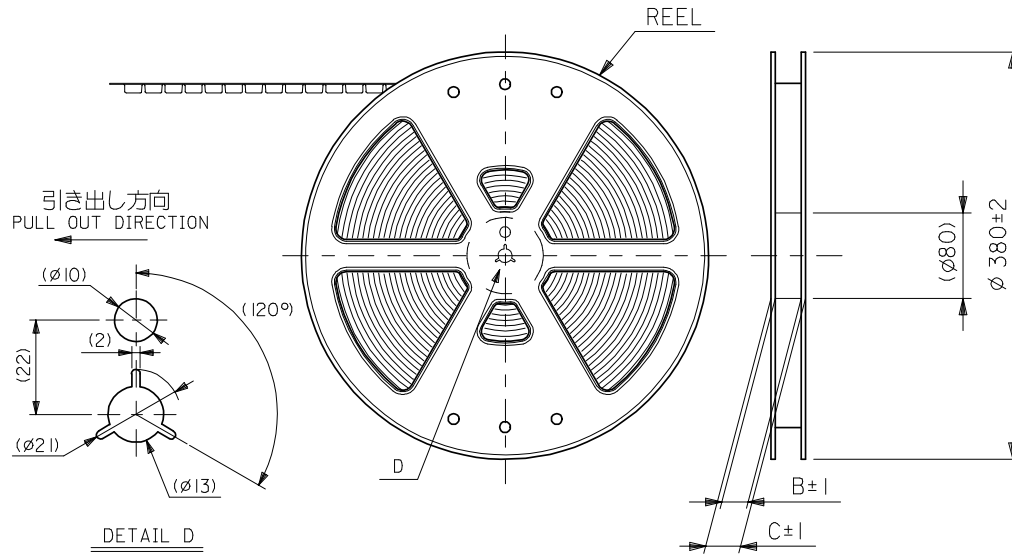
- 製品詳細寸法については図面 SD-53929-005 を参照下さい。
RE DETAILED DIMENSION, SEE SD-53929-005.
- 梱包数量：3000個/リール
NUMBER OF CONNECTORS : 3000PCS/REEL
- リードテープ長さ LEAD TAPE LENGTH



- トップテープの剥離強度：0.1～1.3N {10～130gf}
(剥離方向は下図参照)
尚、本規格値は出荷時に適用。(但し、輸送時に剥離が発生しないこと。)
PEELING OFF FORCE OF TOP TAPE : 0.1～1.3N {10～130gf}
(PEELING DIRECTION AS SHOWN IN FOLLOWING FIG.)
THIS REQUIREMENT SHOULD BE APPLIED AT SHIPMENT.
PEEL OFF SHOULD NOT BE ALLOWED , DURING TRANSPORTATION.



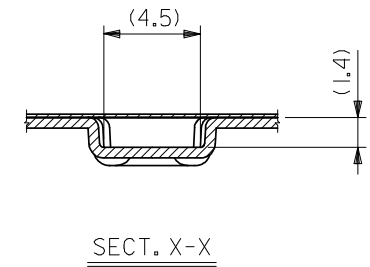
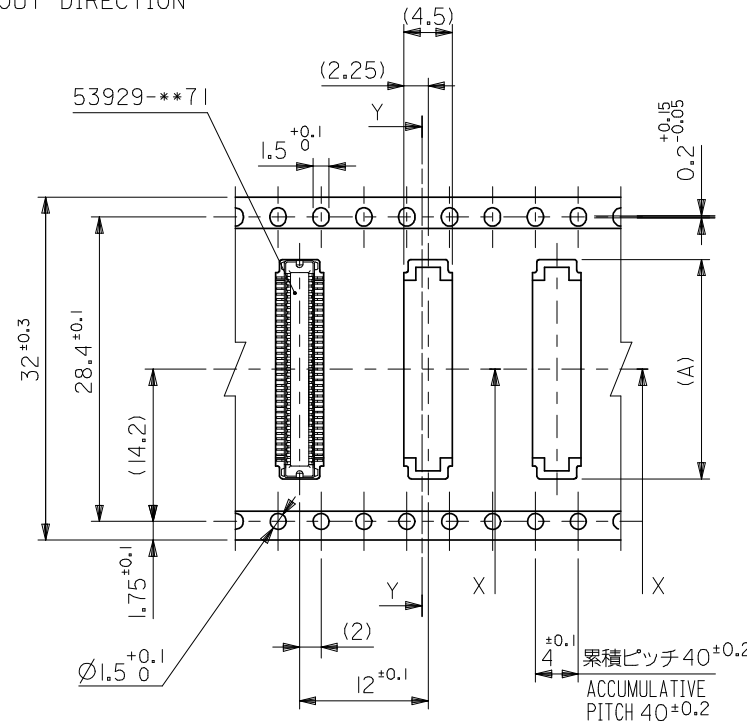
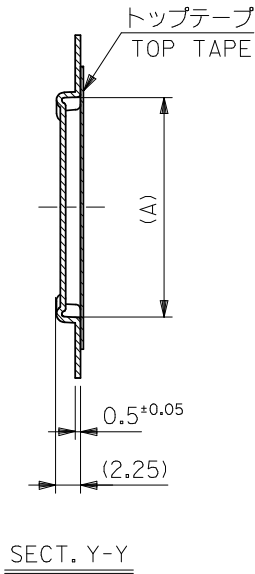
- 材料 (MATERIAL)
キャリアテープ (CARRIER TAPE) : ポリプロピレン (POLYPROPYLENE)
トップテープ (TOPTAPE) : PET , PE , PEF
リール (REEL) : ポリスチレン (PS) <リサイクル材を含む>
POLYSTYREN (PS) <RECYCLE MATERIAL CONTAINED>
- 本製品は 53929-***8 の鉛フリー品である。
THIS PRODUCT IS LEAD FREE OF 53929-***8.



MODEL NO. 53929-***78

REVISED EC NO: J2008-3821 DRW:K INOSHITAA 2008/05/07 CHKD:T HARUYAMA 2008/05/07 APPR:NUKITA 2008/05/12	GENERAL TOLERANCES (UNLESS SPECIFIED)		DIMENSION STYLE MM ONLY		SCALE ---	DESIGN UNITS METRIC	THIRD ANGLE PROJECTION	
	10 UNDER	± ---	DRAWN BY H. KAWABATA	DATE '04/3/15	TITLE 0.5 BTB CONN PLUG ASSY WITH NAIL EMBSTP PKG -LEAD FREE-			
	10 OVER 30 UNDER	± ---	CHECKED BY K. TOJO	DATE '04/3/15				
	30 OVER	± ---	APPROVED BY M. SASAO	DATE '04/3/15	MOLEX INCORPORATED			
	ANGULAR	± --- °	MATERIAL NO.					
	DRAFT WHERE APPLICABLE MUST REMAIN WITHIN DIMENSIONS		SEE TABLE		SD-53929-006		1 OF 3	
		SIZE A3		THIS DRAWING CONTAINS INFORMATION THAT IS PROPRIETARY TO MOLEX INCORPORATED AND SHOULD NOT BE USED WITHOUT WRITTEN PERMISSION				

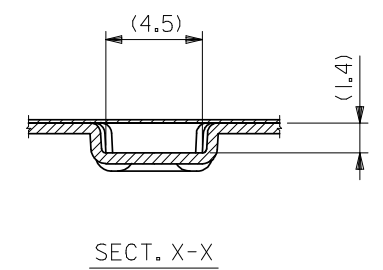
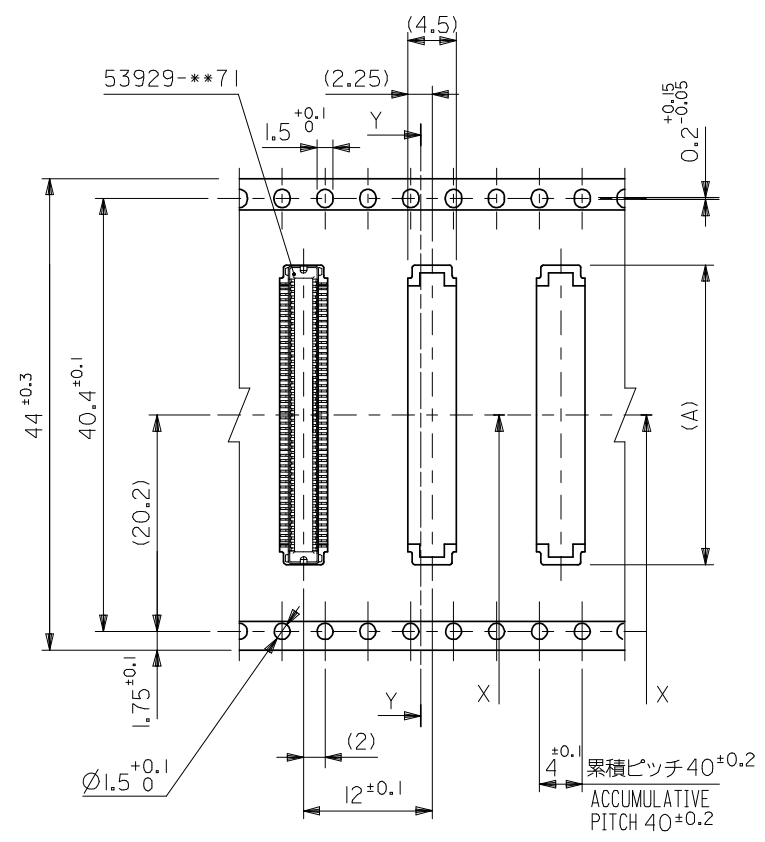
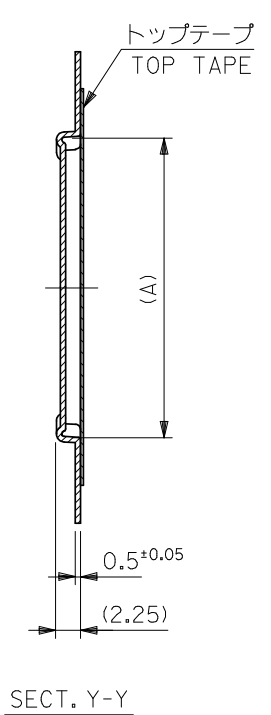
引き出し方向
PULL OUT DIRECTION



32mm幅キャリアテープ
32mm WIDTH CARRIER TAPE

MODEL NO.		53929-**78	32	37.4	33.4	20.45	53929-0778	70
			キャリアテープ幅 CARRIER TAPE WIDTH	C	B	(A)	MATERIAL NO.	極数 CKT.
REVISED EC NO: J2008-3821 DRW: K. INOSHITA 2008/05/07 CHK: T. HARUYAMA 2008/05/07 APPR: NUKITA 2008/05/12	GENERAL TOLERANCES (UNLESS SPECIFIED)		DIMENSION STYLE MM ONLY		SCALE ---	DESIGN UNITS METRIC		THIRD ANGLE PROJECTION
	10 UNDER	±---	DRAWN BY DATE H. KAWABATA '04/3/5		TITLE 0.5 BTB CONN PLUG ASSY WITH NAIL EMBSTP PKG -LEAD FREE-			
	10 OVER 30 UNDER	±---	CHECKED BY DATE K. TOJO '04/3/5					
	30 OVER	±---	APPROVED BY DATE M. SASAO '04/3/5		MOLEX INCORPORATED			
	ANGULAR	±--- °	MATERIAL NO.		DOCUMENT NO.		SHEET NO.	
DRAFT WHERE APPLICABLE MUST REMAIN WITHIN DIMENSIONS		SEE TABLE		SD-53929-006			2 OF 3	
SIZE A3		THIS DRAWING CONTAINS INFORMATION THAT IS PROPRIETARY TO MOLEX INCORPORATED AND SHOULD NOT BE USED WITHOUT WRITTEN PERMISSION						

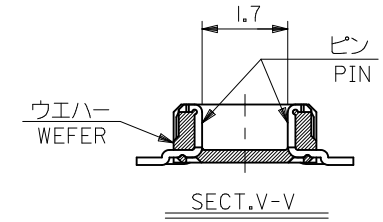
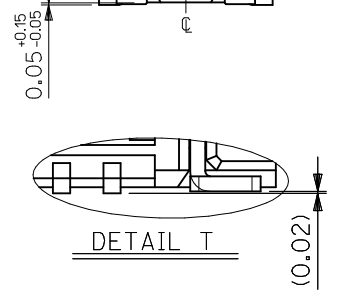
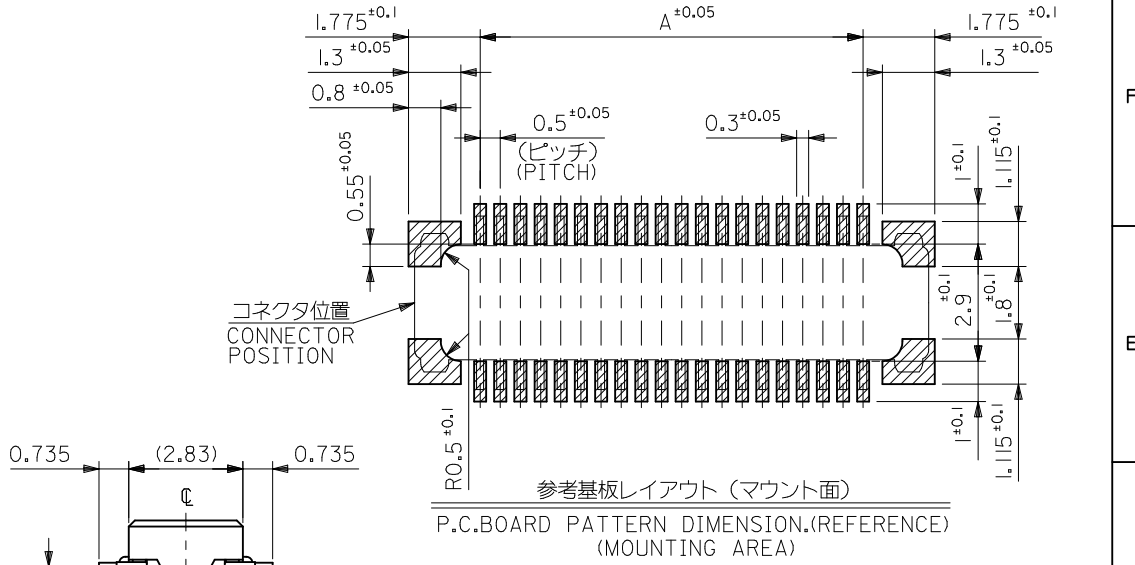
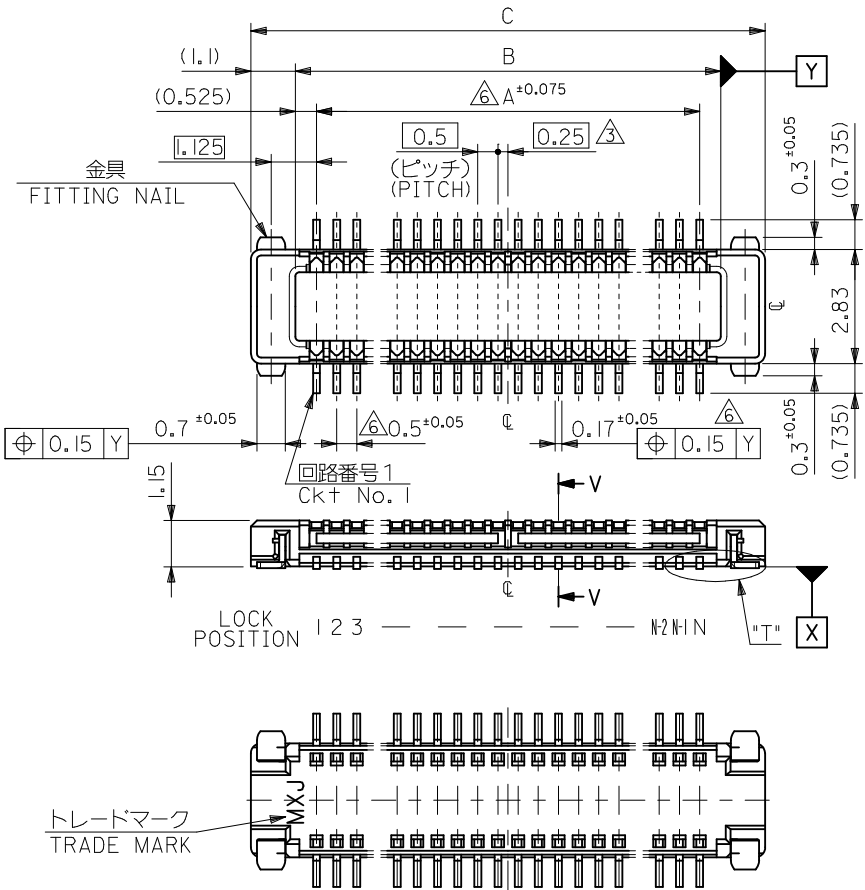
引き出し方向
PULL OUT DIRECTION



44mm幅キャリアテープ
44mm WIDTH CARRIER TAPE

44	49.4	45.4	27.95	53929-1078	100
			22.95	53929-0878	80
MODEL NO.	53929-**78	キャリアテープ幅 CARRIER TAPE WIDTH	C	B	(A)
			MATERIAL NO.	極数 CKT	

REVISED EC NO: J2008-3821 DRW: K INOSHITA 2008/05/07 CHK: T HARUYAMA 2008/05/07 APPR: NUKITA 2008/05/12	GENERAL TOLERANCES (UNLESS SPECIFIED)		DIMENSION STYLE MM ONLY		SCALE ---	DESIGN UNITS METRIC	THIRD ANGLE PROJECTION
	10 UNDER	± ---	DRAWN BY H. KAWABATA	DATE '04/3/5	TITLE 0.5 BTB CONN PLUG ASSY WITH NAIL EMBSTP PKG -LEAD FREE-		
	10 OVER 30 UNDER	± ---	CHECKED BY K. TOJO	DATE '04/3/5	MOLEX INCORPORATED		
	30 OVER	± ---	APPROVED BY M. SASAO	DATE '04/3/5	DOCUMENT NO. SD-53929-006	SHEET NO. 3 OF 3	
	ANGULAR	± --- °	MATERIAL NO. SEE TABLE				
DRAFT WHERE APPLICABLE MUST REMAIN WITHIN DIMENSIONS		THIS DRAWING CONTAINS INFORMATION THAT IS PROPRIETARY TO MOLEX INCORPORATED AND SHOULD NOT BE USED WITHOUT WRITTEN PERMISSION					



注記 NOTES:

1. 材質
MATERIAL
ハウジング : LCP、ガラス充填、黒色, UL94V-0
HOUSING : LIQUID CRYSTAL POLYMER, GLASS FILLED, BLACK, UL94V-0
ターミナル : 黄銅 (t=0.15)
TERMINAL : BRASS (t=0.15)
ネイル : リン青銅 (t=0.15)
NAIL : PHOSPHOR BRONZE (t=0.15)

2. メッキ仕様
PLATING
ターミナル
TERMINAL
接点部 : 金メッキ 0.25 μm以上
CONTACT AREA : GOLD 0.25 MICROMETER MINIMUM.
半田付け部 : 金メッキ 0.1 μm以上
SOLDER TAIL : GOLD 0.1 MICROMETER MINIMUM.
下地メッキ : ニッケルメッキ 1.5 μm以上
UNDER PLATING : NICKEL 1.5 MICROMETER MINIMUM.

ネイル
NAIL
鍍メッキ : 1.0 μm以上
TIN PLATING : 1.0 MICROMETER MINIMUM.
下地メッキ : ニッケルメッキ 1.0 μm以上
UNDER PLATING : NICKEL PLATING 1.0 MICROMETER MINIMUM.

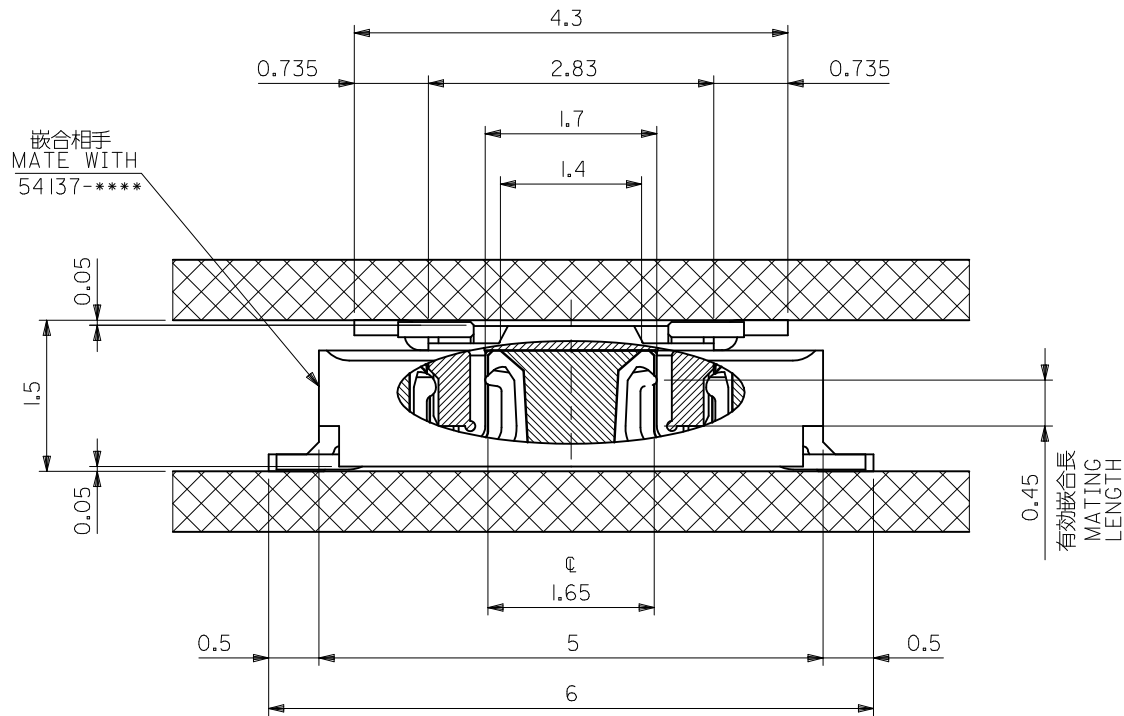
△ (全極数/2) = 偶数の場合に適用
APPLY FOR (CIRCUIT/2) = EVEN.

4. 嵌合相手 : 54137-****
MATED CONN. : 54137-****
5. テール平坦度は、0.08以下。テールとネイルを併せた平坦度は、0.1以下とする。
TAIL COPLANARITY TO BE 0.08 MAXIMUM.
TAILS AND NAILS COPLANARITY TO BE 0.1 MAXIMUM.
- △ テール部に適用
APPLY TO THE TAIL AREA.
7. 本製品は53929-***78 ネイル圧入品です。
THIS PRODUCT IS NAIL-FITTING ITEM OF 53929-***78.

27.75	25.55	24.5	53929-1078	100
22.75	20.55	19.5	53929-0878	80
C	B	A	EMBOSSED PACKAGE ORDER No. オーダー番号	CK+

CONNECTOR SERIES No. 53929-***71

RELEASED EC NO: J2011-0841 DRW: KTOYODA CHKD: APPR: MSASAO	DESCRIPTION 2011/02/15	GENERAL TOLERANCES (UNLESS SPECIFIED)		DIMENSION STYLE MM ONLY		SCALE 1:1		DESIGN UNITS METRIC		THIRD ANGLE PROJECTION	
		10 UNDER	±0.2	DRAWN BY KTOYODA	DATE 2010/12/09	TITLE 0.5 B/B CONN PLUG WITH NAIL					
		10 OVER 30 UNDER	±0.25	CHECKED BY	DATE						
		30 OVER	±0.3	APPROVED BY MSASAO	DATE 2011/02/15	MOLEX INCORPORATED		SHEET NO. 1 OF 2			
ANGULAR ±1°		DRAFT WHERE APPLICABLE MUST REMAIN WITHIN DIMENSIONS		MATERIAL NO. SEE CHART		DOCUMENT NO. SD-53929-010		THIS DRAWING CONTAINS INFORMATION THAT IS PROPRIETARY TO MOLEX INCORPORATED AND SHOULD NOT BE USED WITHOUT WRITTEN PERMISSION			



嵌合断面図 (参考)
MATED DRAWING (REF.)

REVISED EC NO: J2011-0841 DRW: KTOYODA 2010/12/16 CHKD: APPR: MSASAO 2011/02/15	GENERAL TOLERANCES (UNLESS SPECIFIED)		DIMENSION STYLE MM ONLY	SCALE 1:1	DESIGN UNITS METRIC	THIRD ANGLE PROJECTION
	10 UNDER	± 0.2	DRAWN BY KTOYODA	DATE 2010/12/16	TITLE 0.5 B/B CONN. PLUG WITH NAIL	
	10 OVER 30 UNDER	± 0.25	CHECKED BY	DATE	APPROVED BY MSASAO 2011/02/15	
	30 OVER	± 0.3	MATERIAL NO. SEE SHEET 1		MOLEX INCORPORATED	
	ANGULAR ±1 °		DOCUMENT NO. SD-53929-010		SHEET NO. 2 OF 2	
DRAFT WHERE APPLICABLE MUST REMAIN WITHIN DIMENSIONS		THIS DRAWING CONTAINS INFORMATION THAT IS PROPRIETARY TO MOLEX INCORPORATED AND SHOULD NOT BE USED WITHOUT WRITTEN PERMISSION				

X-ON Electronics

Largest Supplier of Electrical and Electronic Components

Click to view similar products for [Headers & Wire Housings](#) category:

Click to view products by [Molex](#) manufacturer:

Other Similar products are found below :

[95000-104TRLF](#) [10135584-644402LF](#) [DF62W-EP2022PCA](#) [95000-106TRLF](#) [DF62W-2022SCA](#) [DF62W-EP2022PC](#) [2203348](#) [DF62W-2022SC](#) [1084018](#) [1029039](#) [1084017](#) [802-10-012-10-002000](#) [1112640](#) [1112639](#) [000-34000](#) [0009482033](#) [0009507031](#) [57102-S06-03LF](#) [57202-S52-04LF](#) [PCN6-15S-2.5E](#) [0039019024](#) [58102-G61-06LF](#) [582553-1](#) [0009485154](#) [0009508121](#) [0022285053](#) [0050291907](#) [018731A](#) [LY20-4P-DT1-P1E-BR](#) [02.125.8002.8](#) [60101931](#) [60598-1 \(Cut Strip\)](#) [M1625-3R/100](#) [61062-3](#) [61082-181009](#) [636-1427](#) [638009-1](#) [641938-9](#) [641991-4](#) [644168-1](#) [647662-1](#) [65039-019ELF](#) [65817-002LF](#) [65817-015LF](#) [65863-015LF](#) [66207-023LF](#) [67016-026LF](#) [67046-001LF](#) [67095-007LF](#) [67230-005LF](#)