

PLEASE CHECK WWW.MOLEX.COM FOR LATEST PART INFORMATION

Part Number: [43202-8918](#)
Status: **Active**
Overview: Modular Plugs - Jacks
Description: Modular Jack, Right Angle, Low Profile, Shielded, Offset Panel Grounding Tabs, with Bottom Grounding Tab, Front Position PCB Ground Tab, 8/8

Documents:

[3D Model](#) [Product Specification PS-43202-001 \(PDF\)](#)
[Drawing \(PDF\)](#) [RoHS Certificate of Compliance \(PDF\)](#)

Agency Certification

CSA LR19980
 UL E107635

General

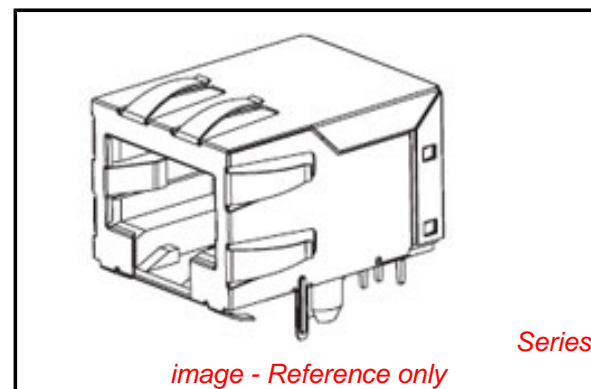
Product Family Modular Jacks/Plugs
 Series [43202](#)
 Comments Enhanced panel grounding tabs
 Component Type PCB Jack
 Magnetic No
 Overview [Modular Plugs - Jacks](#)
 Performance Category 3
 Power over Ethernet (PoE) N/A
 Product Name RJ45
 UPC 800754883313

Physical

Color - Resin Black
 Durability (mating cycles max) 500
 Flammability 94V-0
 Inverted / Top Latch No
 Jack Height 12.09mm
 Lightpipes/LEDs None
 Material - Metal Brass, Phosphor Bronze
 Material - Plating Mating Gold
 Material - Plating Termination Tin
 Material - Resin High Temperature Thermoplastic
 Net Weight 4.323g
 Orientation Right Angle (Side Entry)
 PCB Retention Yes
 PCB Thickness - Recommended 1.60mm
 Packaging Type Tray
 Panel Mount With Flange
 Pitch - Mating Interface 1.02mm
 Pitch - Termination Interface 1.27mm
 Plating min - Mating 1.270µm
 Plating min - Termination 2.540µm
 Ports 1
 Positions / Loaded Contacts 8/8
 Surface Mount Compatible (SMC) Yes
 Temperature Range - Operating -40°C to +85°C
 Termination Interface: Style Through Hole
 Wire/Cable Type N/A

Electrical

Current - Maximum per Contact 1.5A



EU RoHS

ELV and RoHS Compliant

REACH SVHC

Not Reviewed

Low-Halogen Status

Not Low-Halogen

China RoHS



Need more information on product environmental compliance?

Email productcompliance@molex.com
 For a multiple part number RoHS Certificate of Compliance, [click here](#)

Please visit the [Contact Us](#) section for any non-product compliance questions.

Search Parts in this Series

[43202Series](#)

Mates With

FCC 68 Plugs

Grounding to PCB	Yes
Grounding to Panel	Offset Panel Ground Tabs
Shielded	Yes
Voltage - Maximum	125V

Solder Process Data

Lead-free Process Capability	Wave Capable (TH only)
------------------------------	------------------------

Material Info**Reference - Drawing Numbers**

Product Specification	PS-43202-001, RPS-43202-002
Sales Drawing	SDA-43202

This document was generated on 01/20/2015

PLEASE CHECK WWW.MOLEX.COM FOR LATEST PART INFORMATION

X-ON Electronics

Largest Supplier of Electrical and Electronic Components

Click to view similar products for [Telecom ICs](#) category:

Click to view products by [Molex](#) manufacturer:

Other Similar products are found below :

[87180-066](#) [B78476A9558A003](#) [4C9965](#) [RH1041W-MFP-GNL](#) [5C3263](#) [7J8004](#) [SCMS7D43AY100PT1](#) [43841-0003-CUT-TAPE](#)
[HX6106NLT](#) [75586-0004-CUT-TAPE](#) [JC0-0201NL](#) [0432498916](#) [0757840156](#) [93899-001LF](#) [9455511103](#) [10118067-5136210LF](#) [69253-001](#)
[H1062](#) [P129](#) [T7015NLT](#) [T1231NL](#) [432238149](#) [428786360](#) [432498908](#) [441500007](#) [446200003](#) [432028918](#) [432498925](#) [428788458](#)
[443800019](#) [443801016](#) [754500001](#) [757830252](#) [757840212](#) [757865001](#) [950432801](#) [760925002](#) [133148](#) [ST7010QNL](#) [T-1250SCT](#) [T3023NL](#)
[66010-004LF](#) [203156](#) [68899-002LF](#) [73327-111LF](#) [95672-001LF](#) [95678-001ALF](#) [45-5614-BU](#) [DS2174QN+](#) [CPC1465D](#)