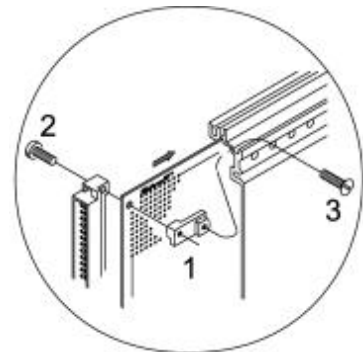
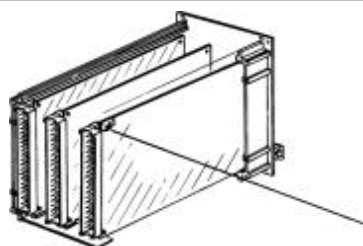


Printed board assembly on extruded side panel, type A



Part no.: 60809-032

Features:

- Fixing a PCB to extruded side panel or side panel rear angle
- Connection to subrack with one connector

Add to basket

Standard pack quantity 10



Technical information:

Downloads:

3D PDF (STEP/DWG/DXF/PDF) ([Log in](#) Required)

Assembly instruction ([Log in](#) Required)

http://web.schroff.de/webcat/subgroup/pdf/2008_pluginunits_e.pdf

To gain access to the additional information you must [Log in](#).

If you do not yet have a user name, you may [Register here](#).

Note:

- Please order assembly kit separately (cheesehead screw and countersunk screw)

SEARCH

Please enter the part no. or a search term:

- CATEGORY**
- Home
 - Cabinets
 - 19" Cases, Table top cases and Tower cases
 - Subracks and 19" chassis
 - Modules**
 - Front panels
 - Plug-in units
 - Frame-type plug-in units PRO
 - HF frame-type plug-in units
 - PCB accessories
 - Assembly kit
 - FPCS front element systems
 - Connectors
 - Accessories - Busbars
 - **Phase-out products**
 - **Frame-type plug-in units**
 - Shielded plug-in units
 - Systems
 - Backplanes, Test adapters

BASKET | **LOGIN**

Description/Part no.:

Basket: 0 Item Selected

[Show basket](#)
[Empty basket](#)
[Quick order](#)

X-ON Electronics

Largest Supplier of Electrical and Electronic Components

Click to view similar products for [Computer-On-Modules - COM category](#):

Click to view products by [Schroff manufacturer](#):

Other Similar products are found below :

[FP2-BP12](#) [CEM881PG-i7-5650U](#) [cExpress-BL-i5-5350U](#) [conga-MA4/N3710-4G eMMC16](#) [28230-439-C](#) [TXUL-5010](#) [ROM-3310WS-MCA1E](#) [TX6Q-1036](#) [ROM-3310CS-MCA1E](#) [conga-TS170/E3-1505LV5](#) [t2Express-HL-i5-4402E](#) [LEC-BASE MINI Standard](#) [LEC-BW-HS2](#) [Express-HL-2002E](#) [cExpress-SL-i7-6600U](#) [conga-QA3E/E3815-2G eMMC4](#) [conga-MA3/N2930-2G](#) [conga-QA3/i-E3845-4G eMMC8](#) [Express-SL-i7-6820EQ](#) [W612M3A600SC](#) [24828-107](#) [24571-309](#) [30846-682](#) [60809-032](#) [ROM-7420CD-MDA1E](#) [CEM300PG-N3710-4G](#) [t2cExpress-BT-E3827](#) [t2nanoX-BT-E3845-2G-ETT](#) [LEC-BW-HS](#) [LEC-BTS2-2G-ER](#) [Express-HL-i3-4102E](#) [cExpress-BT-E3845](#) [CEM501PG-i7-6600U](#) [CEM300PG-N3060-4G](#) [ET975K-I5Ve32](#) [conga-TCA5/i-E3940](#) [conga-TS175/E3-1505MV6](#) [conga-QMX6/QC-2G](#) [eMMC4 Rev C.x](#) [conga-TCA4/N3710](#) [ET970K-i7](#) [ET970K-i5](#) [ET975K-I7V](#) [ET970K-X3G](#) [PER-TAICX-A10-001](#) [PER-TAIX2-A10-2280](#) [cExpress-HL-2980U](#) [cExpress-KL-3965U](#) [cExpress-KL-i3-7100U](#) [cExpress-KL-i5-7300U](#) [cExpress-KL-i7-7600U](#)