

JTAG-SMT2

Programming Module for Xilinx FPGAs

Revision: July 25, 2012



1300 Henley Court | Pullman, WA 99163
(509) 334 6306 Voice and Fax

Overview

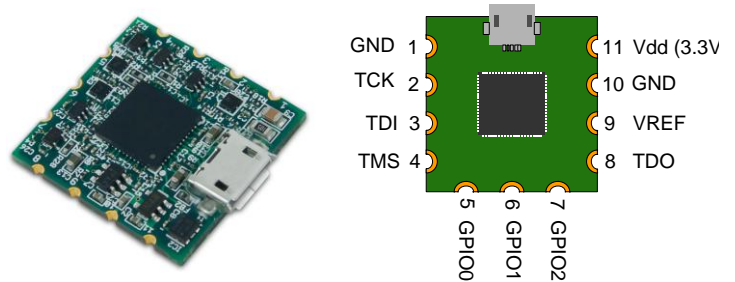
The Joint Test Action Group (JTAG)-SMT2 is a compact, complete and fully self-contained surface-mount programming module for Xilinx field-programmable gate arrays (FPGAs). The module can be accessed directly from all Xilinx tools, including iMPACT, Chipscope, and EDK. Users can load the module directly onto a target board and reflow it like any other component.

The JTAG-SMT2 uses a 3.3V main power supply and a separate Vref supply to drive the JTAG signals. All JTAG signals use high speed, 24mA, three-state buffers that allow signal voltages from 1.8V to 5V and bus speeds of up to 30Mbit/sec. The JTAG bus can be shared with other devices as systems hold JTAG signals at high-impedance, except when actively driven during programming. The SMT2 module is CE certified and fully compliant with EU RoHS and REACH directives. The module uses a standard Type-A to Micro-USB cable available for purchase from Digilent, Inc.

Users can connect JTAG signals directly to the corresponding FPGA signals as shown in Figure 1. For best results, mount the module adjacent to the edge of the host PCB over a ground plane. Although users may run signal traces on top of the host PCB beneath the SMT2, Digilent recommends keeping the area immediately beneath the SMT2 clear.

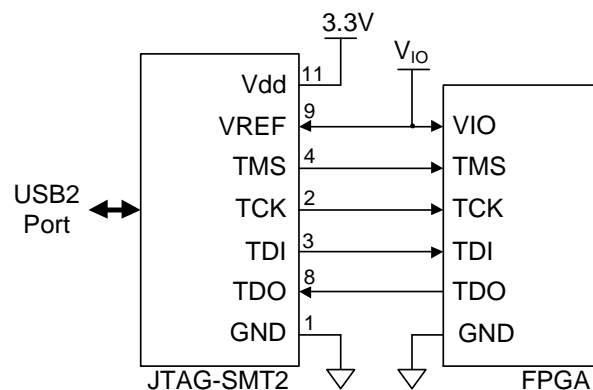
Note: Keep the impedance between the SMT2 and FPGA below 100 Ohms to operate the JTAG at maximum speed.

The SMT2 improves upon the SMT1 with the addition of three general purpose IO pins (GPIO0 – GPIO2) and support for interfacing IEEE 1149.7-2009 JTAG targets in both 2 and 4-wire modes.



- Small, complete, all-in-one JTAG programming/debugging solution for Xilinx FPGAs
- Compatible with all Xilinx tools
- Compatible with IEEE 1149.7-2009 Class T0 – Class T4 (includes 2-Wire JTAG)
- GPIO pin allows debugging software to reset the processor core of Xilinx's Zynq platform
- Single 3.3V supply
- Separate Vref drives JTAG signal voltages; Vref can be any voltage between 1.8V and 5V.
- High-Speed USB2 port that can drive JTAG/SPI bus at up to 30Mbit/sec (frequency settable by user)
- SPI programming solution (modes 0 and 2 up to 30Mbit/sec, modes 1 and 3 up to 2Mbit/sec)
- Uses micro-AB USB2 connector
- Small form-factor surface-mount module can be directly loaded on target boards
- A similar circuit is available as a stand-alone programming cable; see Digilent's JTAG-HS2.

Figure 1



SMT2 JTAG Port Connections

In addition to supporting JTAG, the JTAG-SMT2 also features two highly configurable Serial Peripheral Interface (SPI) ports that allow communication with virtually any SPI peripheral. (See figure 2) Both SPI ports share the same pins, so users may enable only one port at any given time. The table in figure 3 summarizes the features supported by each port. The HS2 supports SPI modes 0, 1, 2, and 3.

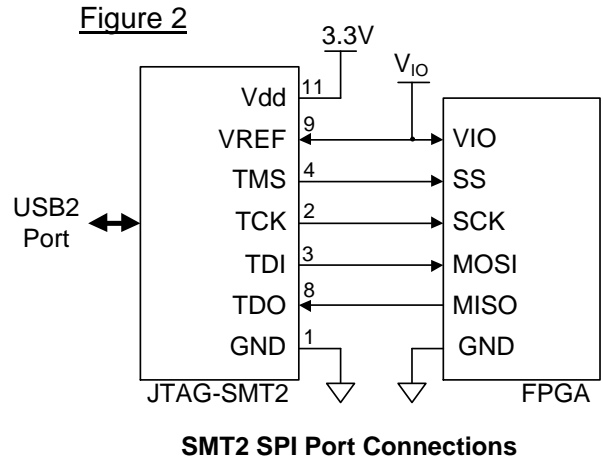


Figure 3

Port Number	SPI Mode	Shift LSB First	Shift MSB First	Selectable SCK Frequency	Max SCK Frequency	Min SCK Frequency	Inter-byte Delay
0	0	Yes	Yes	Yes	30 MHz	8 KHz	0 – 1000 μS
	2	Yes	Yes	Yes	30 MHz	8 KHz	0 – 1000 μS
1	0	Yes	Yes	Yes	2.066 MHz	485 KHz	0 – 1000 μS
	1	Yes	Yes	Yes	2.066 MHz	485 KHz	0 – 1000 μS
	2	Yes	Yes	Yes	2.066 MHz	485 KHz	0 – 1000 μS
	3	Yes	Yes	Yes	2.066 MHz	485 KHz	0 – 1000 μS

Software Support

In addition to working seamlessly with all Xilinx tools, Digilent’s Adept software and the Adept software development kit (SDK) support the SMT2 module. For added convenience customers may freely download the SDK from Digilent’s website. This Adept software includes a full-featured programming environment and a set of public application programming interfaces (API) that allow user applications to directly drive the JTAG chain.

With the Adept SDK users can create custom applications that will drive JTAG ports on virtually any device. Users may utilize the API’s provided by the SDK to create applications that can drive any SPI device supporting those modes. Please see the Adept SDK reference manual for more information.

IEEE 1149.7-2009 Compatibility

The JTAG-HS2 supports several scan formats including the JScan0-JScan3, MScan, and OScan0 - OScan7. It is capable of communicating in 4-wire and 2-wire scan chains that consist of Class T0 – T4 JTAG Target Systems (TS). (See Figure 4 & 5)

Figure 4

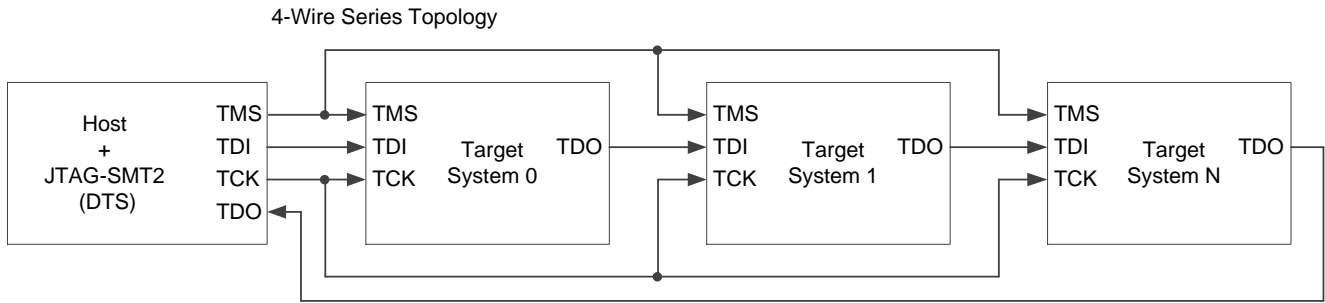
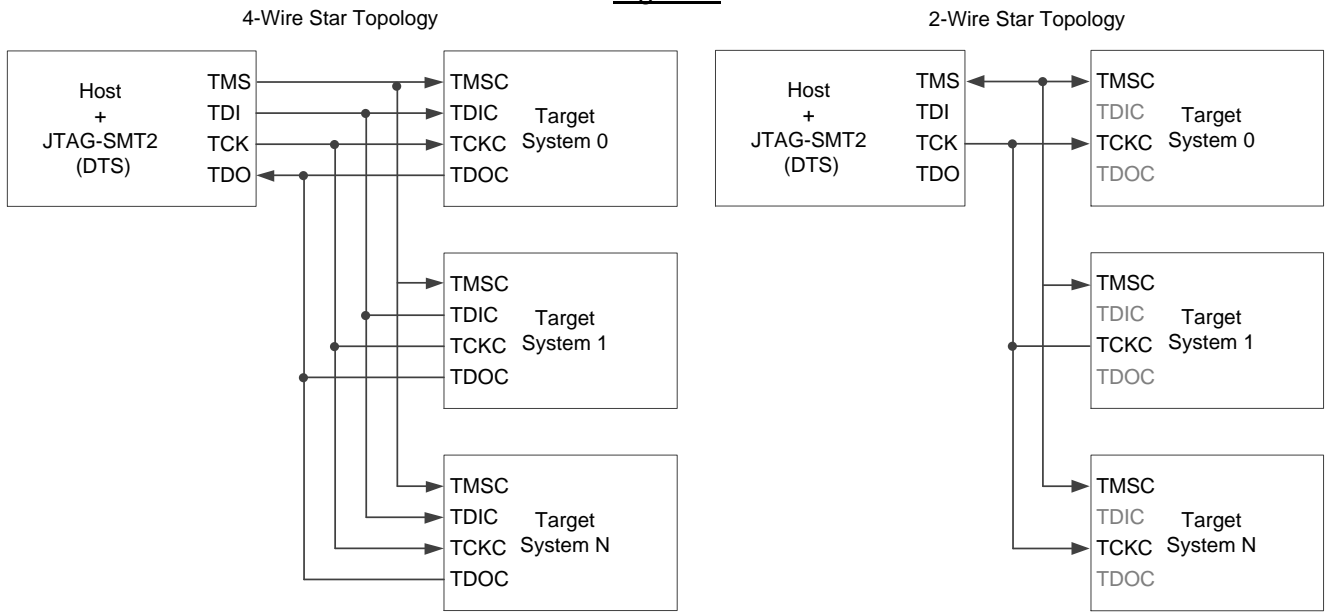
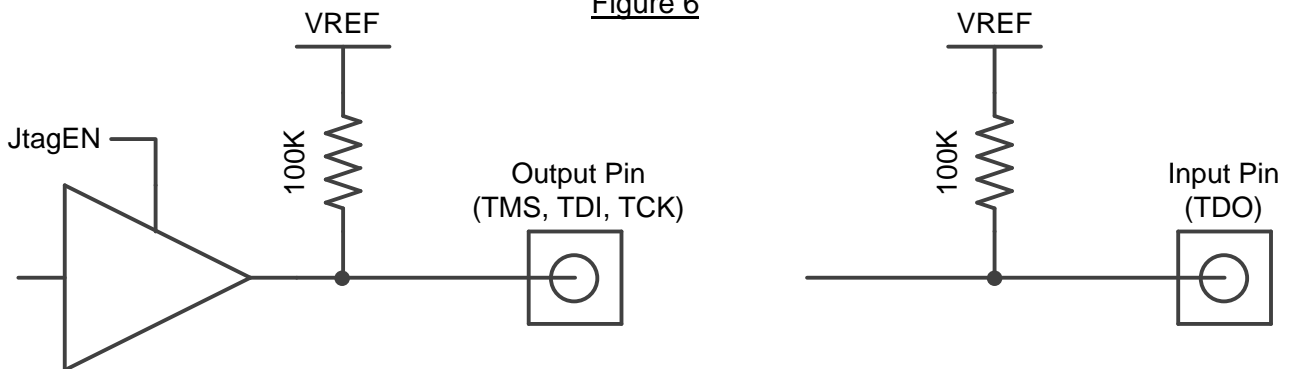


Figure 5



The IEEE 1149.7-2009 specification requires any device that functions as a debug and test system (DTS) to provide a pull-up bias on the TMS and TDO pins. In order to meet this requirement, the JTAG-SMT2 features weak pull-ups (100K ohm) on the TMS, TDI, TDO, and TCK signals. Though not required in the specifications, the pull-ups on the TDI and TCK signals ensure that neither signal floats while another source is not driving them. (See figure 6)

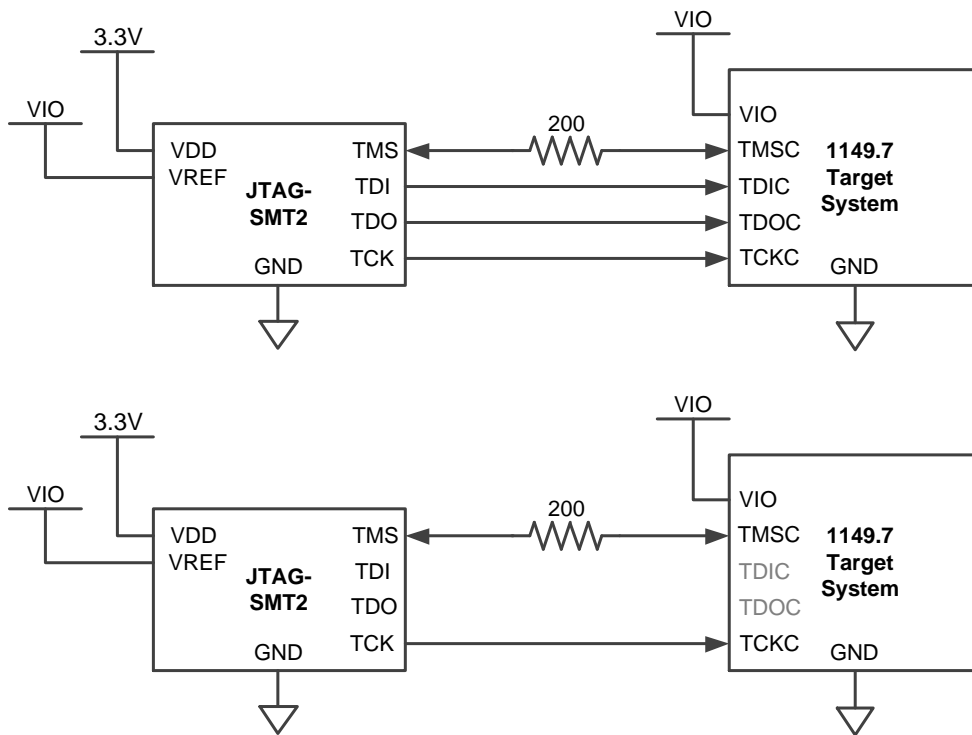
Figure 6



Users should place a current limiting resistor between the TMS pin of the SMT2 and the TMSC pin of the TS when using the JTAG-SMT2 to interface with an 1149.7 compatible TS. If a drive conflict occurs, this resistor should prevent damage to components by limiting the amount of current flowing between the pins of each device. A 200ohm resistor will limit the maximum current to 16.5mA when using a 3.3V reference. (See figure 7) While this level of resistance should be sufficient for most applications, the value of the resistor may need to be adjusted to meet the requirements of the TS.

In most cases users can avoid a drive conflict by having applications that use the SMT2 communicate with the TS in two wire mode. Use the applications to reconfigure the TS to use the JScan0, JScan1, JScan2, or JScan3 scan format prior to disabling the SMT2's JTAG port.

Figure 7

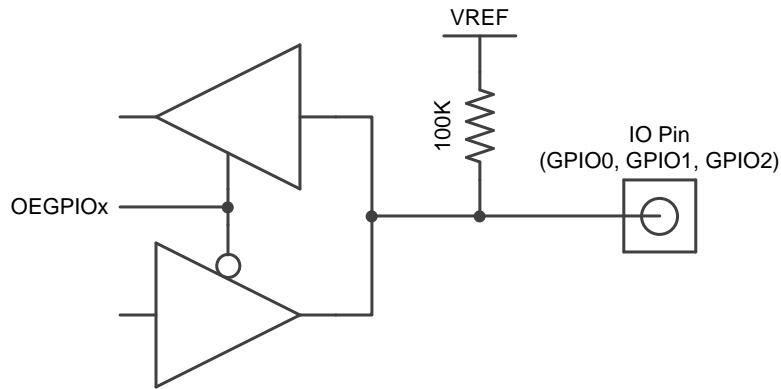


The Adept SDK provides an example application that demonstrates how to communicate with a Class T4 TAP controller using the MScan, OScan0, and OScan1 scan formats.

GPIO Pins

The JTAG-SMT2 has three general purpose IO pins (GPIO0, GPIO1, and GPIO2) that are useful for a variety of different applications. Each pin features high speed three-state input and output buffers. At power up the JTAG-SMT2 disables these output buffers and places the signals in a high-impedance state. Each signal remains in a high-impedance state until a host application configures the applicable pin as an output. Weak pull-ups (100K ohm) ensure that the GPIO signals do not float while not being actively driven. (See figure 8)

Figure 8



When customers use the JTAG-SMT2 to interface the scan chain of Xilinx’s Zynq platform, they should connect the GPIO2 pin of the SMT2 to the Zynq’s PS_SRST_B pin. This connection allows the Xilinx Tools to reset the Zynq’s processor core at various times during debugging operations. Please see the following “Application Examples” section for more information.

Note: Presently customers can not access the GPIO pins using the Adept SDK. A future update to the Adept Runtime will make it possible for applications to access the GPIO pins using the Digilent Adept Pin Input/Output Interface (DPIO). Please see the Adept SDK reference manual for more information.

Application Examples

Example 1: Interfacing a Zynq-7000 when VCCO_0 and VCCO_MIO1 use a common supply

Figure 9 demonstrates how to connect the JTAG-SMT2 to Xilinx’s Zynq-7000 silicon when the same voltage supplies both the VCCO_0 (Programmable Logic Bank 0 Power Supply) and the VCCO_MIO1 (Processor MIO Bank 1 Power Supply).

In this case the SMT2 has a 100K pull-up to VREF, which operates at the same voltage as VCCO_MIO1. This similar voltage makes it possible to eliminate the external pull-up that is normally required for the PS_SRST_B pin.

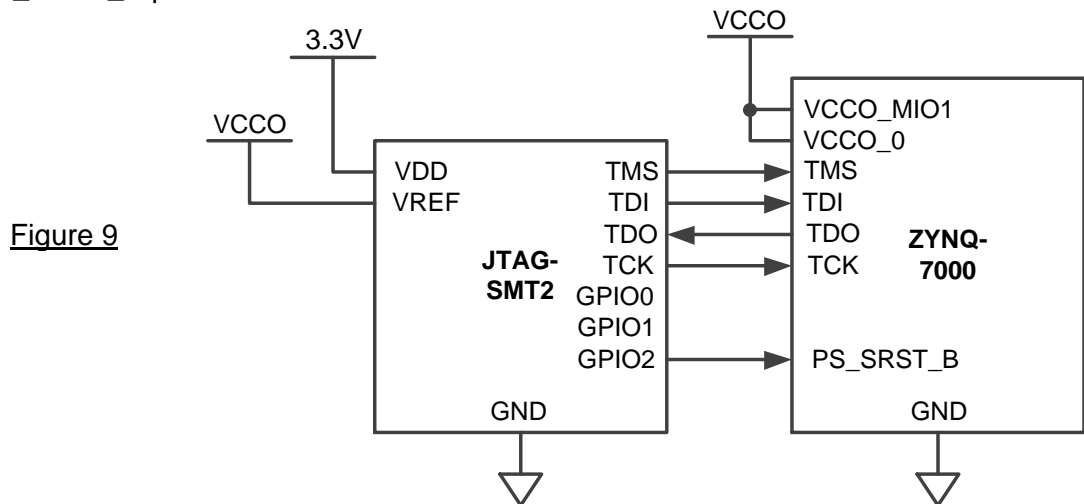
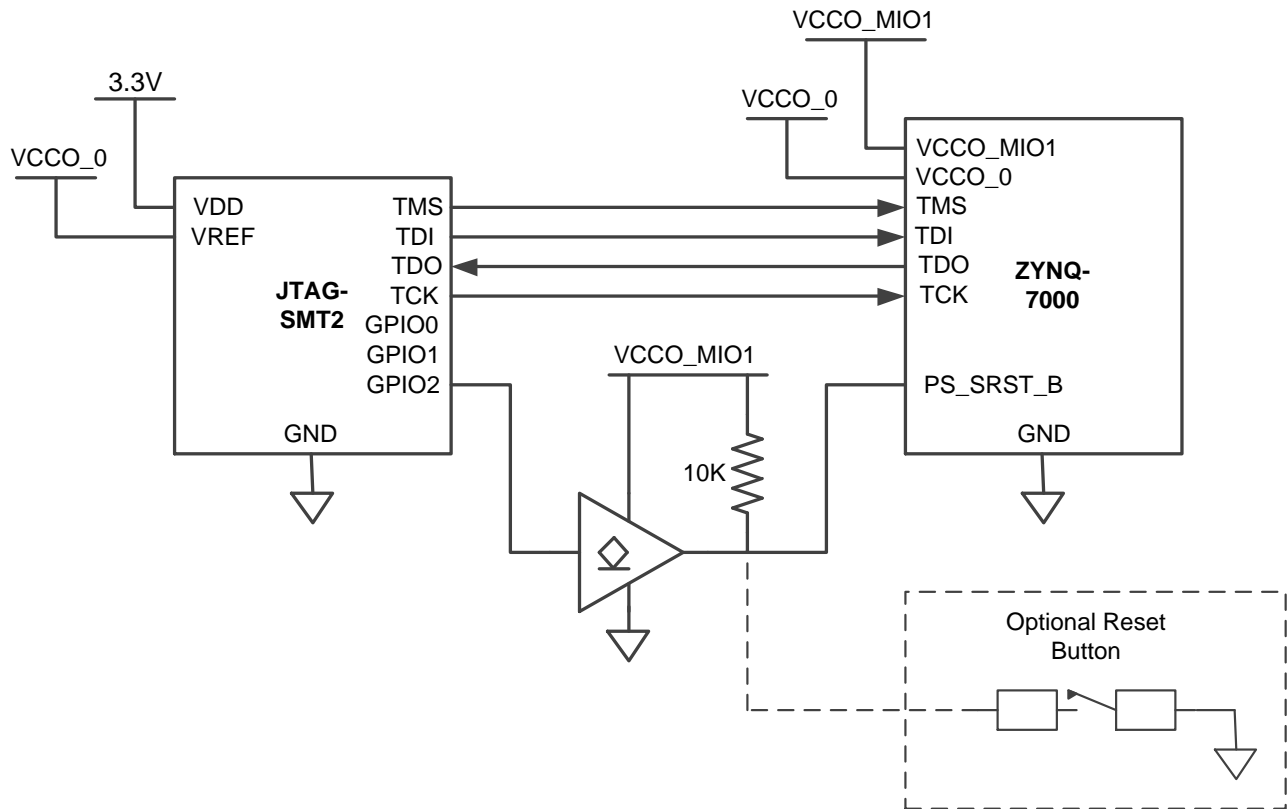


Figure 9

Example 2: Interfacing a Zynq-7000 that uses different voltages for VCCO_0 and VCCO_MIO1

Figure 10 demonstrates how to connect the JTAG-SMT2 to Xilinx’s Zynq-7000 silicon when different voltages supply the VCCO_0 (Programmable Logic Bank 0 Power Supply) and VCCO_MIO1 (Processor MIO Bank 1 Power Supply). If the Zynq’s JTAG pins are operating at a different voltage than the PS_SRST_B, it requires an external buffer to adjust the level of the GPIO2 signal. The example in figure 10 demonstrates the use of an open drain buffer to allow for the possibility of adding a reset button.

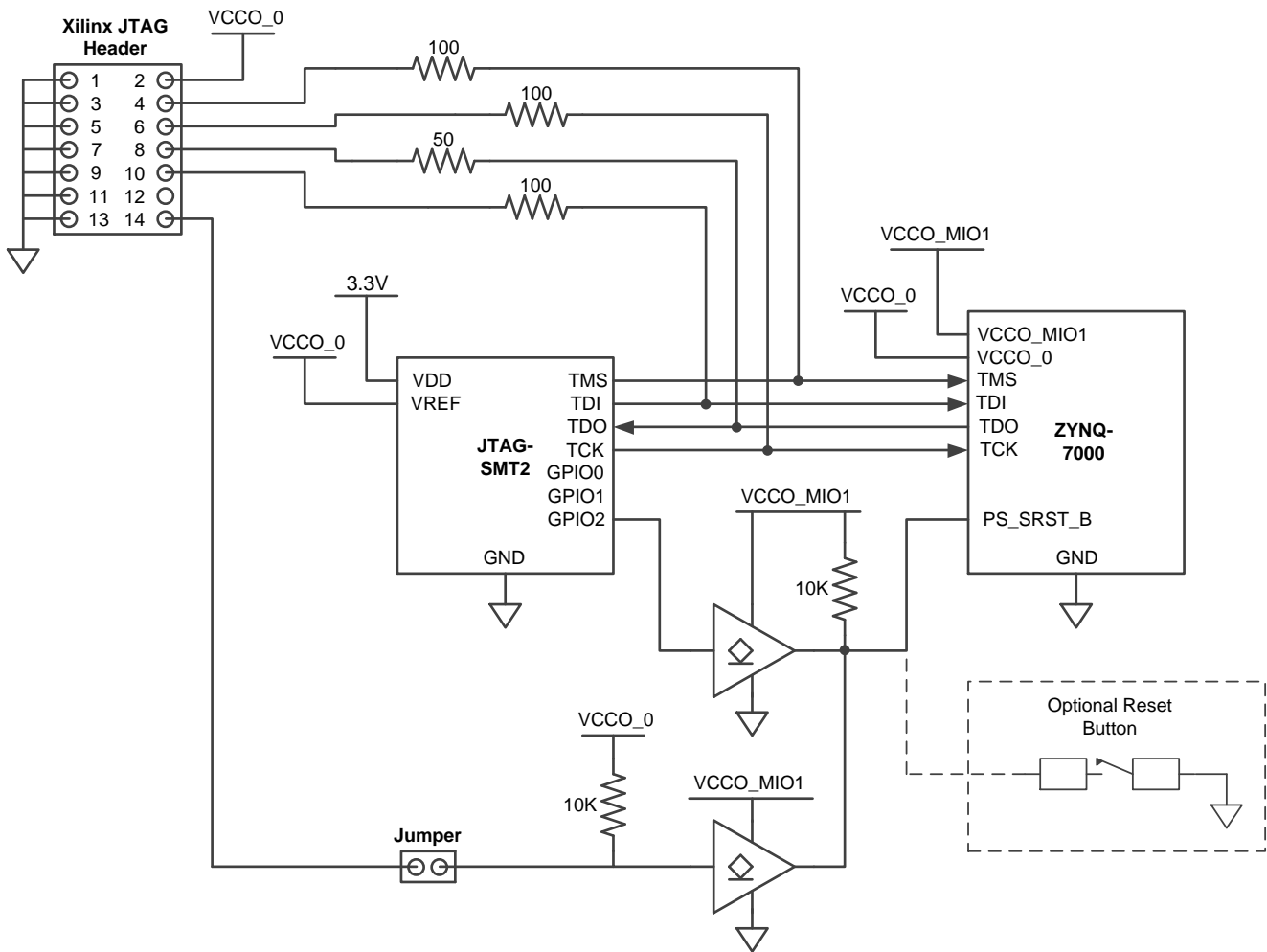
Figure 10



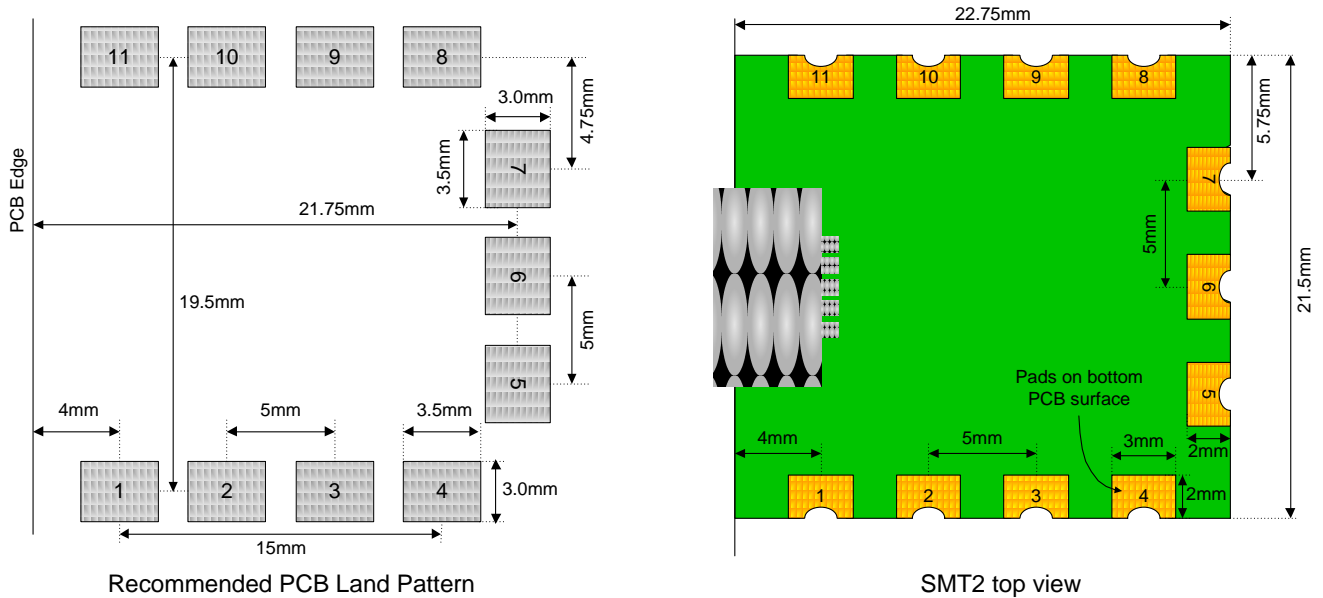
Example 3: Interfacing a Zynq-7000 while retaining the Xilinx JTAG Header

Figure 11 below demonstrates how to connect the JTAG-SMT2 to Xilinx’s Zynq-7000 silicon alongside Xilinx’s 14-pin JTAG header. In this example the open drain buffers allow both the SMT2 and Xilinx JTAG Header to drive the PS_SRST_B pin, which may operate a different voltage than the Zynq’s JTAG pins.

Figure 11



Mechanical Information



Absolute Maximum Ratings

Symbol	Parameter	Condition	Min	Max	Unit
Vdd	Operating supply voltage		-0.3	4.0	V
Vref	I/O reference/supply voltage		-0.3	6	V
VIO	Signal Voltage		-0.3	6	V
I _{IK} , I _{OK}	TMS, TCK, TDI, TDO, GPIO0, GPIO1, GPIO2 DC Input/Output Diode Current	VIO < -0.3V		-50	mA
		VIO > 6V		+20	
I _{OUT}	DC Output Current			±50	mA
T _{STG}	Storage Temperature		-20	+120	°C
ESD	Human Body Model JESD22-A114			4000	V
	Charge Device Model JESD22-C101			2000	V

DC Operating Characteristics

Symbol	Parameter	Min	Typ	Max	Unit
Vdd	Operating supply voltage	2.97	3.3	3.63	Volts
Vref	I/O reference/supply voltage	1.65	2.5/3.3	5.5	Volts
TDO, GPIO0, GPIO1, GPIO2	Input High Voltage (V_{IH})	1.62		5.5	Volts
	Input Low Voltage (V_{IL})	0		0.65	Volts
TMS, TCK, TDI, GPIO0, GPIO1, GPIO2	Output High (V_{OH})	$0.85 \times V_{ref}$	$0.95 \times V_{ref}$	V_{ref}	Volts
	Output Low (V_{OL})	0	$0.05 \times V_{ref}$	$0.15 \times V_{ref}$	Volts

AC Operating Characteristics

The JTAG-SMT2's JTAG signals operate according to the timing diagram in figure 12. The SMT2 supports JTAG/TCK frequencies from 30MHz to 8KHz at integer divisions of 30MHz from 1 to 3750. Common frequencies include 30MHz, 15MHz, 10Mhz, 7.5MHz, and 6MHz. (See table in figure 13) The JTAG/TCK operating frequency can be set within the Xilinx tools. *Note: Please refer to Xilinx's iMPACT documentation for more information.*

Figure 12

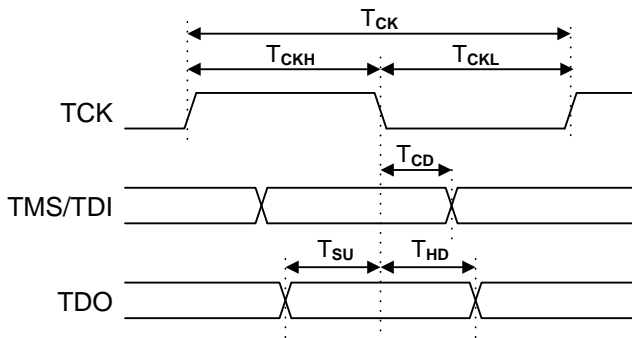


Figure 13

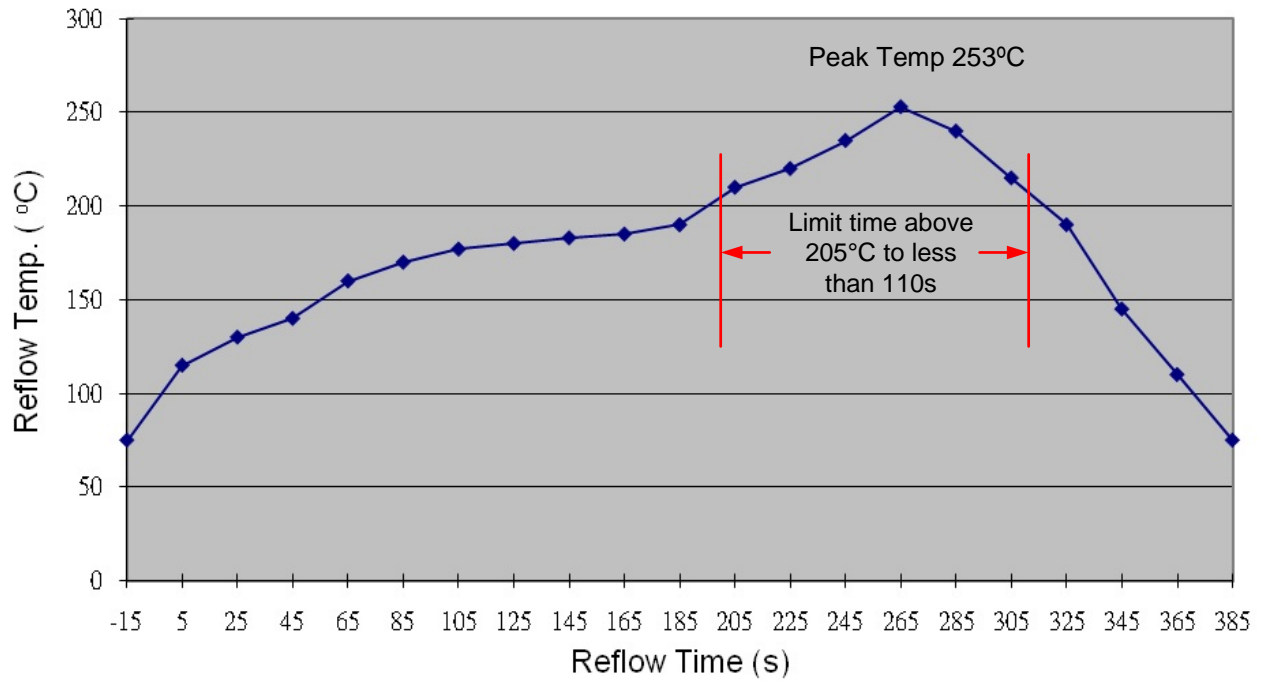
Symbol	Parameter	Min	Max
T_{CK}	T_{CK} period	33ns	2.185ms
T_{CKH}, T_{CKL}	T_{CLK} pulse width	20ns	1.1ms
T_{CD}	T_{CLK} to TMS, TDI	0	15ns
T_{SU}	TDO Setup time	19ns	
T_{HD}	TDO Hold time	0	

Mounting to Host PCBs

The factory finishes the JTAG-SMT2 signal pads with the ENIG process using 2u" gold over 150u" electroless nickel. This makes the SMT2 compatible with most mounting and reflow processes. (See figure 14) The binding force of the solder is sufficient to hold the SMT2 firmly in place so mounting should require no additional adhesives.

Figure 14

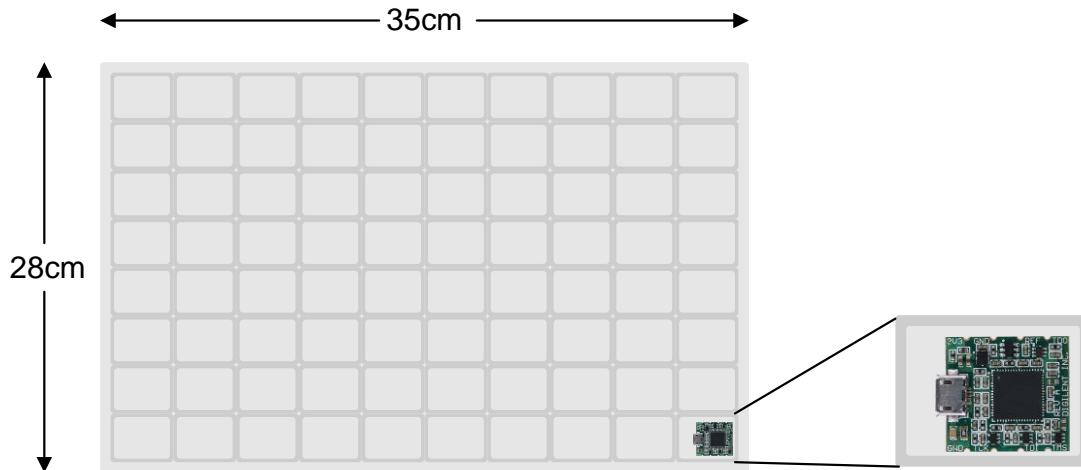
JTAG-SMT2 Profile



Packaging

Digilent ships small quantities of less than 20 per order individually packaged in antistatic bags. Digilent will pack and ship larger quantities in groups of 80 positioned in an antistatic bubble tray. (See figure 15)

Figure 15



Copyright Digilent, Inc. All rights reserved. Other product and company names mentioned may be trademarks of their respective owners.

X-ON Electronics

Largest Supplier of Electrical and Electronic Components

Click to view similar products for [digilent](#) manufacturer:

Other Similar products are found below :

[PMODALS](#) [PMODLVLSHFT](#) [PMODMIC3](#) [PMODSWT](#) [NEXYS VIDEO 240-064](#) [ANALOG DISCOVERY 2 240-037](#) [PMODCON3](#)
[PMODGYRO](#) [PMODMAXSONAR](#) [PMODOD1 410-083](#) [410-221](#) [410-259](#) [410-293-B](#) [TDGL012](#) [BREADBOARD EXPANSION FOR NI](#)
[MYRIO 410-063](#) [410-163](#) [410-242](#) [410-267](#) [410-310](#) [CHIPKIT WF32 410-135](#) [PMODUSBUART](#) [WS2812 LED STRIP](#) [CMOD A7-15T](#)
[PMOD JSTK2](#) [PCAM 5C: 5 MP FIXED FOCUS COLOR CAMERA M](#) [PMOD BLE: BLUETOOTH LOW ENERGY INTERFACE](#)
[EMBEDDED VISION BUNDLE](#) [NETFPGA-1G-CML 410-357-B](#) [410-377](#) [410-165](#) [PMOD SF3](#) [CORA Z7: ZYNQ-7000 SINGLE CORE](#)
[CORA Z7: ZYNQ-7000 DUAL CORE](#) [PMOD AQS: DIGITAL GAS SENSOR FOR AIR QUA](#) [FMC PCAM ADAPTER](#) [ANALOG](#)
[DISCOVERY 2 PRO BUNDLE](#) [PMOD PIR PASSIVE INFRARED MOTION SENSOR](#) [ECLYPSE Z7 ZYNQ-7000 SOC](#) [ZMOD ADC 1410](#)
[DUAL CHANNEL 14-BIT ADC](#) [ZMOD DAC 1411](#) [DUAL CHANNEL 14-BIT DAC](#) [USB104 A7:ARTIX-7 FPGA BOARD PC/104 240-081](#)
[6015-410-001](#) [PMODDA1](#)