

注記 NOTES:

1. 使用材料 MATERIAL

ハウジング: ポリフェニレンサルファイド ガラス充填 UL94V-0 (黒)
 HOUSING: POLYPHENYLENE SULFIDE (GLASS FILLED) UL94V-0 (COLOR:BLACK)
 ターミナル: リン青銅 (t=0.15)
 TERMINAL: PHOSPHOR BRONZE (t=0.15)
 金具: リン青銅 (t=0.2)
 FITTING NAIL: PHOSPHOR BRONZE (t=0.2)

下地メッキ: ニッケルメッキ 1.5 マイクロメートル以上
 UNDER PLATING: NICKEL 1.5MICROMETER MINIMUM
 金具 FITTING NAIL
 鍍メッキ 1.0 マイクロメートル以上
 TIN 1.0MICROMETER MINIMUM
 下地メッキ: ニッケルメッキ 1.0 マイクロメートル以上
 NICKEL 1.0MICROMETER MINIMUM
 (全極数/2) = 偶数の場合に適用。

2. メッキ仕様 PLATING

ターミナル TERMINAL
 金メッキ 0.25 マイクロメートル以上 (コンタクト部)
 GOLD 0.25MICROMETER MINIMUM (CONTACT AREA)
 金メッキ 0.4 マイクロメートル以下 (テール部)
 GOLD 0.4MICROMETER MAXIMUM (TAIL AREA)



3. (全極数/2) = 偶数の場合に適用。
 APPLY FOR (CIRCUIT/2)=EVEN.

4. 嵌合相手: 53929 シリーズ
 MATE WITH: 53929 SERIES.

5. テール平坦度は、0.08MAX.
 TAIL COPLANARITY TO BE 0.08MAX.
 TAIL AND FITTING NAIL COPLANARITY TO BE 0.1MAX.
 テール部に適用。
 APPLY TO THE TAIL AREA.
 6. 本製品は54137-***9の鉛フリー品である。
 THIS PRODUCT IS LEAD FREE OF 54137-***1.

28.9	25.5	24.5	54137-1009	100
26.4	23	22	54137-0909	90
23.9	20.5	19.5	54137-0809	80
21.4	18	17	54137-0709	70
C	B	A	MATERIAL NO.	極数 CIRCUIT

DO NOT SCALE DRAWING

EC NO. DRWN: CHK: APPR:	EC NO. DRWN: CHK: APPR:	EC NO. DRWN: CHK: APPR:	EC NO. DRWN: CHK: APPR:	EC NO. DRWN: CHK: APPR:	REV	DESCRIPTION	MATERIAL 材料	FINISH 仕上げ	WIRE RANGE 適用電線範囲	INS. RANGE 被覆外径
					0					

RELEASED

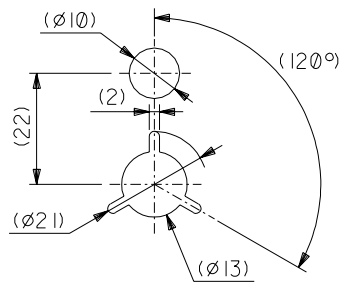
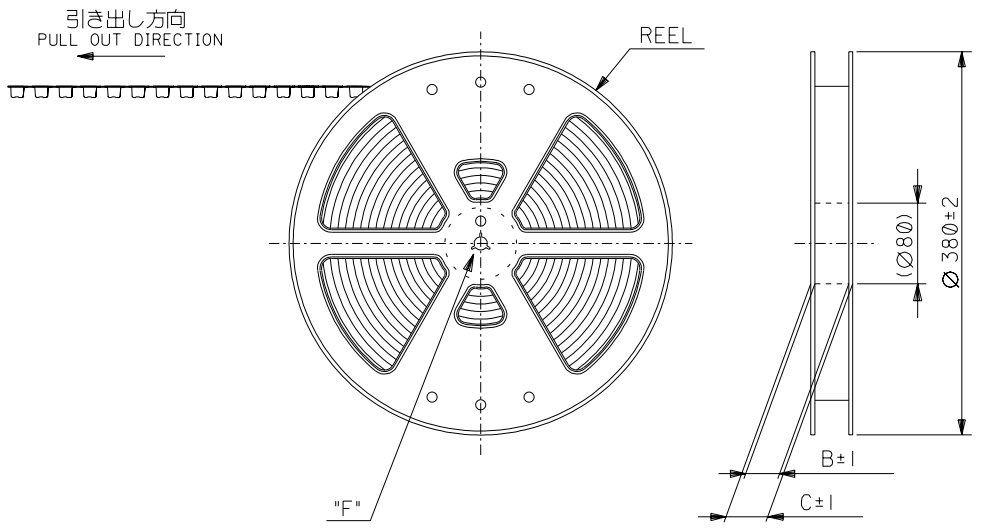
EC NO. J2004-2630
 DRWN: Y.WADA '04/02/24
 CHK: M.SASAO '04/02/24
 APPR: M.SASAO '04/02/24

注記参照
 SEE NOTES

10 未満	±0.2
10 以上 30 未満	±0.25
30 以上	±0.3
ANGLE 角度	±3°

MODEL NO.	54137-***9	DIMENSIONS:	SHT	REV
DESIGN UNITS	<input checked="" type="checkbox"/> mm <input type="checkbox"/> INCH	THIRD ANGLE PROJECTION	<input type="checkbox"/> mm <input type="checkbox"/> INCH	<input checked="" type="checkbox"/> mm ONLY
DRAWN BY & DATE	Y.WADA '04/02/24	CHECKED BY & DATE	M.SASAO '04/02/24	APPROVED BY & DATE
M.SASAO '04/02/24				
CAD FILENAME		MATERIAL NO.	DRAWING NO.	SHEET NO.
SD-54137-001.S01		SEE CHART	SD-54137-001	1 OF 1
THIS DRAWING CONTAINS INFORMATION THAT IS PROPRIETARY TO MOLEX INCORPORATED AND SHOULD NOT BE USED WITHOUT WRITTEN PERMISSION.				SIZE B

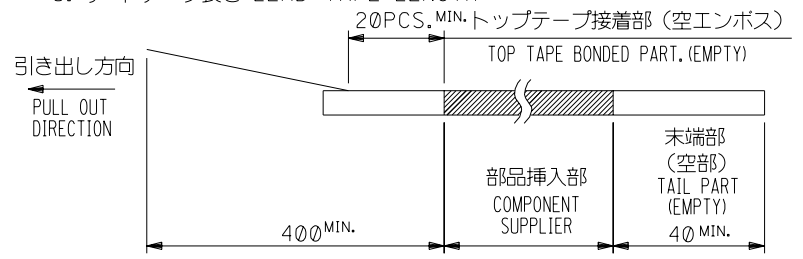
DWG. NO. SD-54137-002



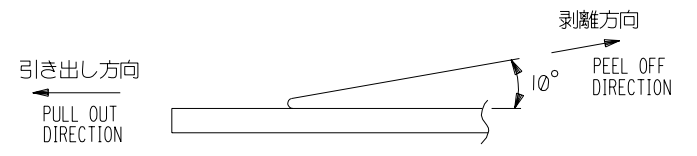
DETAIL "F"

注記 NOTES.

- 製品詳細寸法については図面 SD-54137-001 を参照下さい。
RE DETAILED DIMENSION, SEE SD-54137-001
- 梱包数量：3000個/リール
NUMBER OF CONNECTORS : 3000PCS/REEL
- リードテープ長さ LEAD TAPE LENGTH



- トップテープの剥離強度：0.1N~1.3N {10gf~130gf}
(剥離方向は下図参照)
尚、本規格値は出荷時に適用。(但し、輸送時に剥離が発生しないこと。)
PEELING OFF FORCE OF TOP TAPE : 0.1N~1.3N {10gf~130gf}
(PEELING DIRECTION AS SHOWN IN FOLLOWING FIG.)
THIS REQUIREMENT SHOULD BE APPLIED AT SHIPMENT.
PEEL OFF SHOULD NOT BE ALLOWED ,DURING TRANSPORTATION.

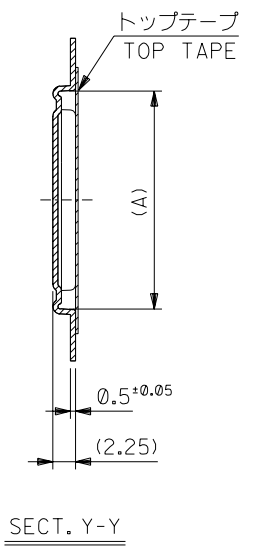


- 材料 (MATERIAL)
キャリアテープ (CARRIER TAPE) : ポリプロピレン (POLYPROPYLENE)
トップテープ (TOP TAPE) : PET , PE , PEF
リール (REEL) : ポリスチレン (PS) <リサイクル材を含む>
POLYSTYRENE (PS) <RECYCLE MATERIAL CONTAINED>
- 本製品は54137-***8の鉛フリー品である。
THIS PRODUCT IS LEAD FREE OF 54137-***8.

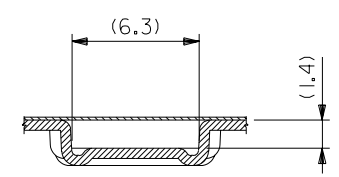
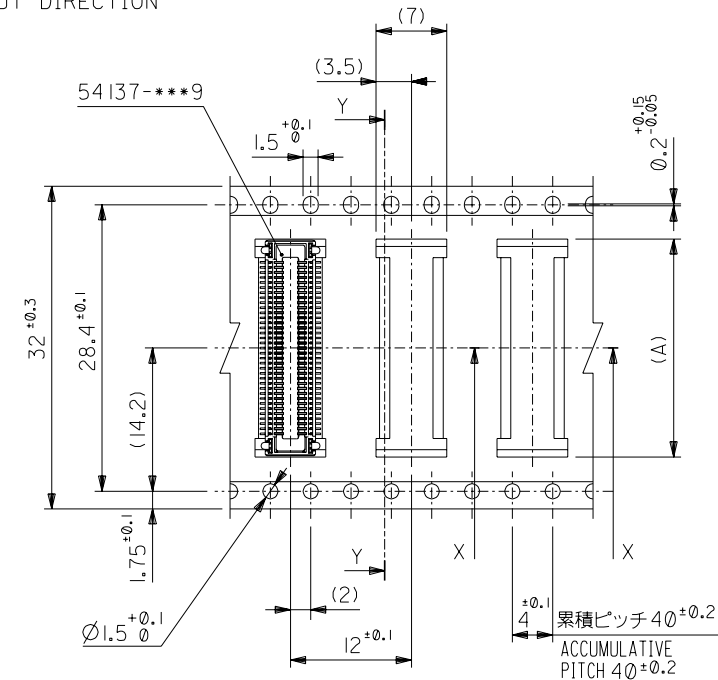
DO NOT SCALE DRAWING

EC NO. DRWN: CHK: APPR:	EC NO. DRWN: CHK: APPR:	EC NO. DRWN: CHK: APPR:	EC NO. DRWN: CHK: APPR:	EC NO. DRWN: CHK: APPR:	EC NO. J2004-2630 DRWN: Y.WADA '04/02/24 CHK: M.SASAO '04/02/24 APPR: M.SASAO '04/02/24	MATERIAL 材料 注記参照 SEE NOTES	GENERAL TOLERANCES: (UNLESS SPECIFIED) 一般公差	SCALE —#	MODEL NO. 54137-***8	DIMENSIONS: <input type="checkbox"/> mm <input type="checkbox"/> INCH <input checked="" type="checkbox"/> mm ONLY	SHT REV
					RELEASED	FINISH 仕上げ —#	10 UNDER 未満 ±0.2	DRAWN BY & DATE Y.WADA '04/02/24	TITLE: 0.5 B+B Conn Rec Assy With NailHgt=1.5 Embstp Pkg -LEAD FREE-		
					0	WIRE RANGE 適用電線範囲 —#	10 OVER 30 UNDER 以上 未満 ±0.25	CHECKED BY & DATE M.SASAO '04/02/24	MOLEX MOLEX INCORPORATED		
					REV	INS. RANGE 被覆外径 —#	30 OVER 以上 ±0.3	APPROVED BY & DATE M.SASAO '04/02/24			
							ANGLE 角度 ±3°	CAD FILENAME SD-54137-002.S01	MATERIAL NO. SEE CHART	DRAWING NO. SD-54137-002	SHEET NO. 1 OF 3
THIS DRAWING CONTAINS INFORMATION THAT IS PROPRIETARY TO MOLEX INCORPORATED AND SHOULD NOT BE USED WITHOUT WRITTEN PERMISSION.										SIZE B	

DWG. NO. SD-54137-002



引き出し方向
PULL OUT DIRECTION



32mm幅キャリアテープ
32mm WIDTH CARRIER TAPE

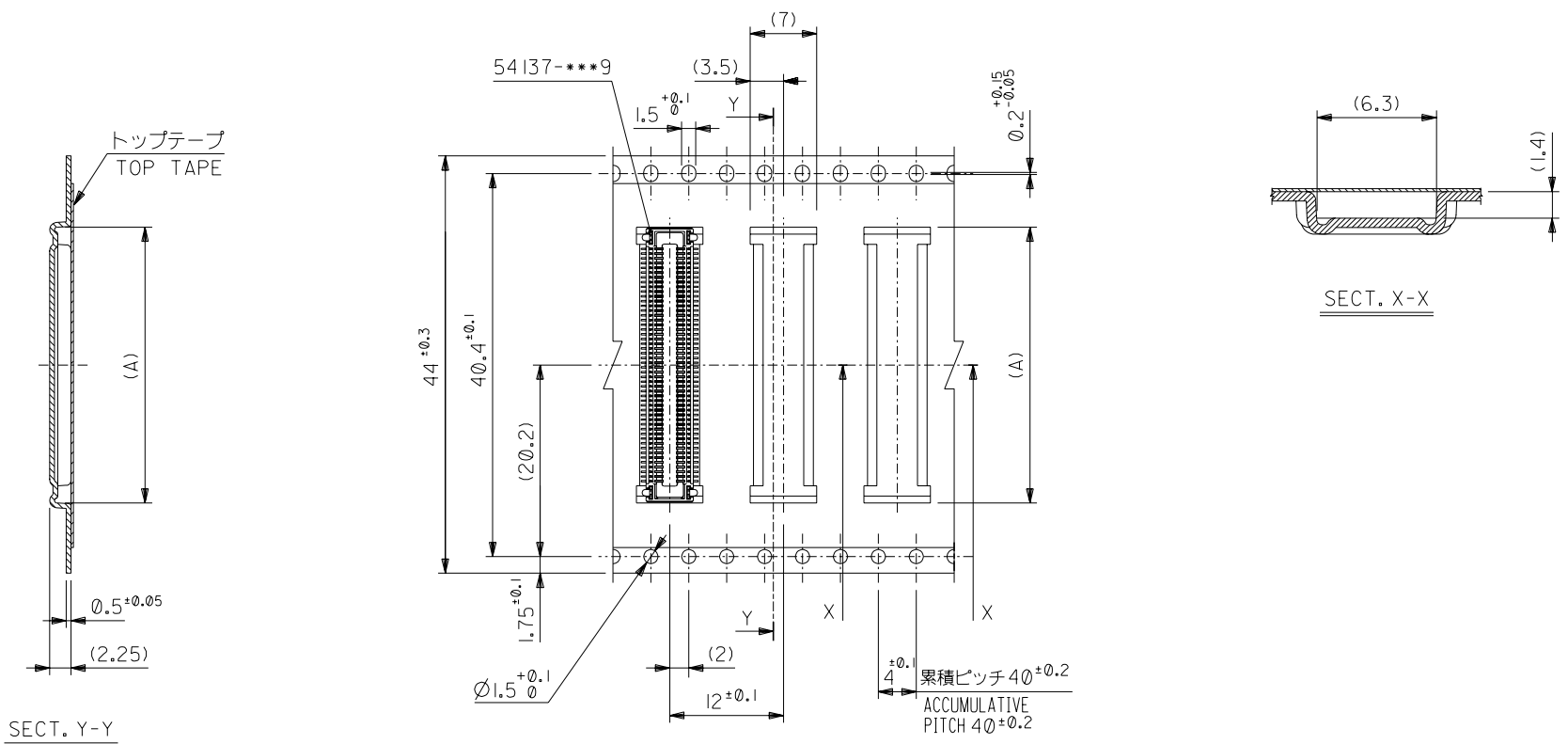
32	37.4	33.4	21.6	54137-0778	70
キャリアテープ幅 CARRIER TAPE WIDTH	C	B	(A)	MATERIAL NO.	極数 Ck+
MODEL NO.	54137-**78			DIMENSIONS:	
DESIGN UNITS	THIRD ANGLE PROJECTION			SHT REV	
<input checked="" type="checkbox"/> mm <input type="checkbox"/> INCH	<input type="checkbox"/> mm <input type="checkbox"/> INCH			<input checked="" type="checkbox"/> mm ONLY	
DRAWN BY & DATE Y.WADA '04/02/24		TITLE: 0.5 B+B Conn Rec Assy With NailHgt=1.5 Embstp Pkg -LEAD FREE-			
CHECKED BY & DATE M.SASAO '04/02/24		MOLEX INCORPORATED			
APPROVED BY & DATE M.SASAO '04/02/24		MATERIAL NO.	DRAWING NO.	SHEET NO.	
CAD FILENAME SD-54137-002.S02		SEE CHART	SD-54137-002	2 OF 3	

DO NOT SCALE DRAWING	EC NO.	RELEASED	MATERIAL	GENERAL TOLERANCES:	SCALE	DESIGN UNITS	TITLE: 0.5 B+B Conn Rec Assy With NailHgt=1.5 Embstp Pkg -LEAD FREE-
	DRWN: Y.WADA '04/02/24	EC NO. J2004-2630	材料	(UNLESS SPECIFIED)	—	<input checked="" type="checkbox"/> mm <input type="checkbox"/> INCH	
	CH'K: M.SASAO '04/02/24	DRWN: Y.WADA '04/02/24	注記参照	—	10 UNDER 未満	±0.2	
	APPR: M.SASAO '04/02/24	CH'K: M.SASAO '04/02/24	SEE SHEET 1 OF 3	—	10 OVER 30 UNDER 未満	±0.25	
EC NO.	DESCRIPTION	FINISH	—	30 OVER 以上	±0.3	APPROVED BY & DATE	MOLEX INCORPORATED
DRWN: Y.WADA '04/02/24	—	仕上げ	—	ANGLE 角度	±3°	M.SASAO '04/02/24	
CH'K: M.SASAO '04/02/24	—	—	—	—	—	—	
APPR: M.SASAO '04/02/24	REV	WIRE RANGE	—	INS. RANGE	—	CAD FILENAME	MATERIAL NO.
—	0	適用電線範囲	—	被覆外径	—	SD-54137-002.S02	DRAWING NO.
—	—	—	—	—	—	—	SD-54137-002

THIS DRAWING CONTAINS INFORMATION THAT IS PROPRIETARY TO MOLEX INCORPORATED AND SHOULD NOT BE USED WITHOUT WRITTEN PERMISSION. SIZE B

DWG. NO.
SD-54137-002

引き出し方向
PULL OUT DIRECTION



44mm幅キャリアテープ
44mm WIDTH CARRIER TAPE

44	49.4	45.4	29.1	54137-1078	100
			26.6	54137-0978	90
			24.1	54137-0878	80
キャリアテープ幅 CARRIER TAPE WIDTH	C	B	(A)	MATERIAL NO.	極数 CK+

DO NOT SCALE DRAWING

EC NO. DRWN: CHK: APPR:	EC NO. DRWN: CHK: APPR:	EC NO. DRWN: CHK: APPR:	EC NO. DRWN: CHK: APPR:	EC NO. DRWN: CHK: APPR:	RELEASD EC NO. J2004-2630 DRWN: Y.WADA '04/02/24 CHK: M.SASAO '04/02/24 APPR: M.SASAO '04/02/24	MATERIAL 材料 注記参照 SEE SHEET 1 OF 3	GENERAL TOLERANCES: (UNLESS SPECIFIED) 一般公差	SCALE #	DESIGN UNITS <input checked="" type="checkbox"/> mm <input type="checkbox"/> INCH	MODEL NO. 54137-**78	DIMENSIONS: <input type="checkbox"/> mm <input type="checkbox"/> INCH <input checked="" type="checkbox"/> mm ONLY	SHT REV
						FINISH 仕上げ	10 UNDER 未満 ±0.2	DRAWN BY & DATE Y.WADA '04/02/24	TITLE: 0.5 B+B Conn Rec Assy With NailHgt=1.5 Embstp Pkg -LEAD FREE-			
						WIRE RANGE 適用電線範囲	10 OVER 30 UNDER 以上 未満 ±0.25	CHECKED BY & DATE M.SASAO '04/02/24		MATERIAL NO. SEE CHART	DRAWING NO. SD-54137-002	SHEET NO. 3 OF 3
						INS. RANGE 被覆外径	30 OVER 以上 ±0.3	APPROVED BY & DATE M.SASAO '04/02/24	CAD FILENAME SD-54137-002.S03			SIZE B
							ANGLE 角度 ±3°	THIS DRAWING CONTAINS INFORMATION THAT IS PROPRIETARY TO MOLEX INCORPORATED AND SHOULD NOT BE USED WITHOUT WRITTEN PERMISSION.				

X-ON Electronics

Largest Supplier of Electrical and Electronic Components

Click to view similar products for [Headers & Wire Housings](#) category:

Click to view products by [Molex](#) manufacturer:

Other Similar products are found below :

[95000-104TRLF](#) [10135584-644402LF](#) [DF62W-EP2022PCA](#) [95000-106TRLF](#) [DF62W-2022SCA](#) [DF62W-EP2022PC](#) [2203348](#) [DF62W-2022SC](#) [1084018](#) [1029039](#) [1084017](#) [802-10-012-10-002000](#) [1112640](#) [1112639](#) [000-34000](#) [0008550134](#) [0009482033](#) [0009507031](#) [57102-F02-18ULF](#) [57102-S06-03LF](#) [57202-S52-04LF](#) [PCN6-15S-2.5E](#) [0039019024](#) [58102-G61-06LF](#) [582553-1](#) [0009485154](#) [0009508121](#) [009176003701906](#) [0022285053](#) [0050291907](#) [018731A](#) [LY20-4P-DT1-P1E-BR](#) [02.125.8002.8](#) [60101931](#) [60598-1 \(Cut Strip\)](#) [M1625-3R/100](#) [61062-3](#) [61082-181009](#) [CSU011177004](#) [636-1427](#) [638009-1](#) [641938-9](#) [641991-4](#) [644168-1](#) [644827-2](#) [647662-1](#) [65039-019ELF](#) [65692-001LF](#) [65781-018](#) [65781-047](#)